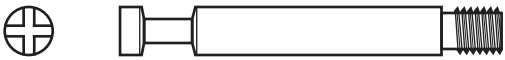

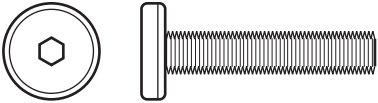
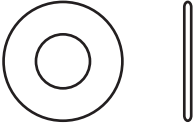



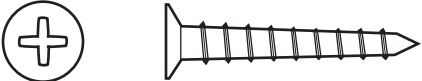


! Tools required: 

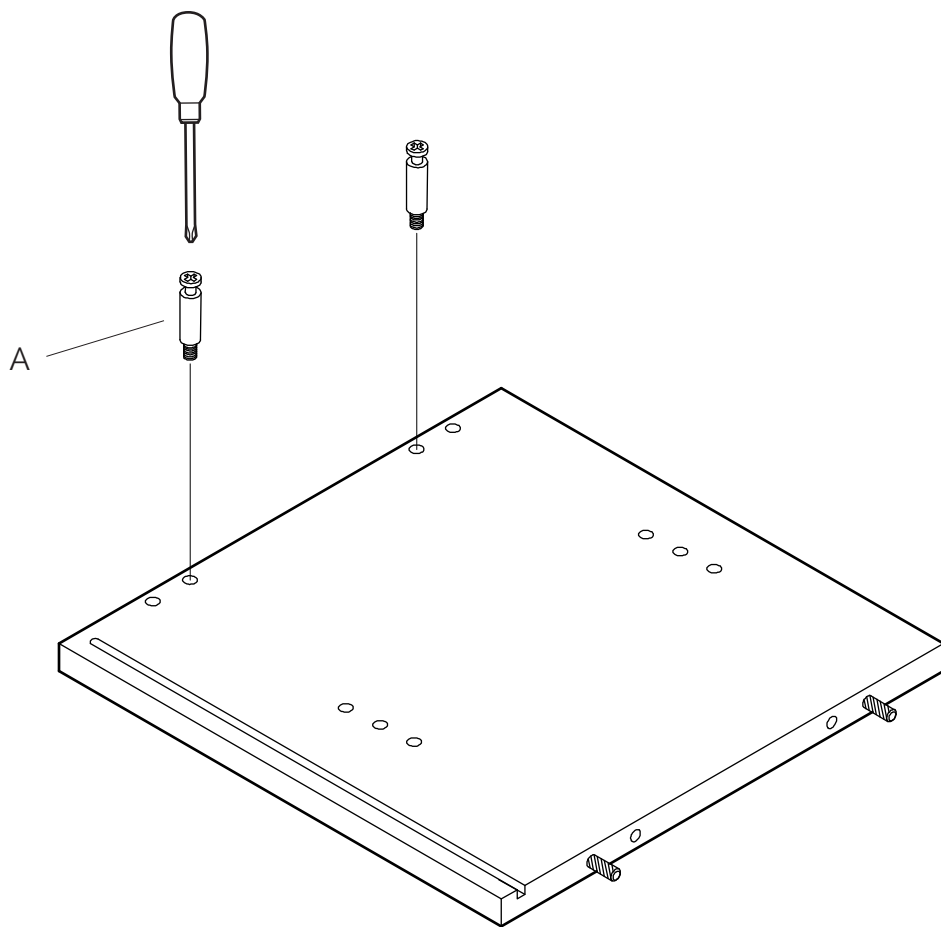
! Do not throw away packaging materials until assembly is complete.

! Assemble this item on a soft surface, such as cardboard or carpet, to protect finish.

! Proper assembly of this item requires 2 people.

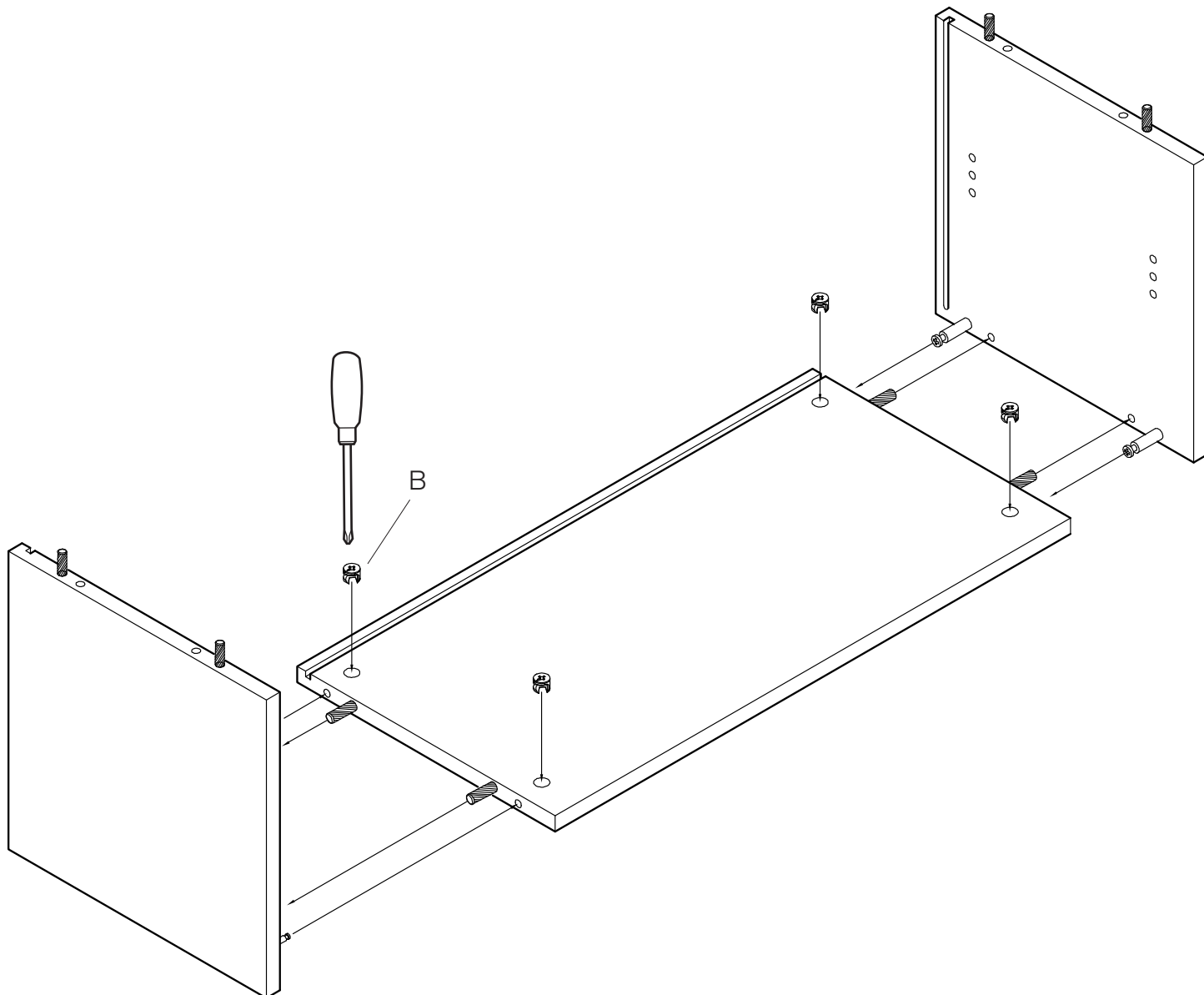
<p>A</p>  <p>cam 4x</p>	<p>B</p>  <p>cam lock 4x</p>
<p>C</p>  <p>bolt 4x</p>	<p>D</p>  <p>metal washer 4x</p>
<p>E</p>  <p>lock washer 4x</p>	<p>F</p>  <p>allen key 1x</p>
<p>G</p>  <p>shelf pin 4x</p>	<p>H</p>  <p>wood screw 8x</p>

1. Insert cam (A) into predrilled holes in side panel as shown. Repeat on opposite side panel. Tighten using screwdriver.

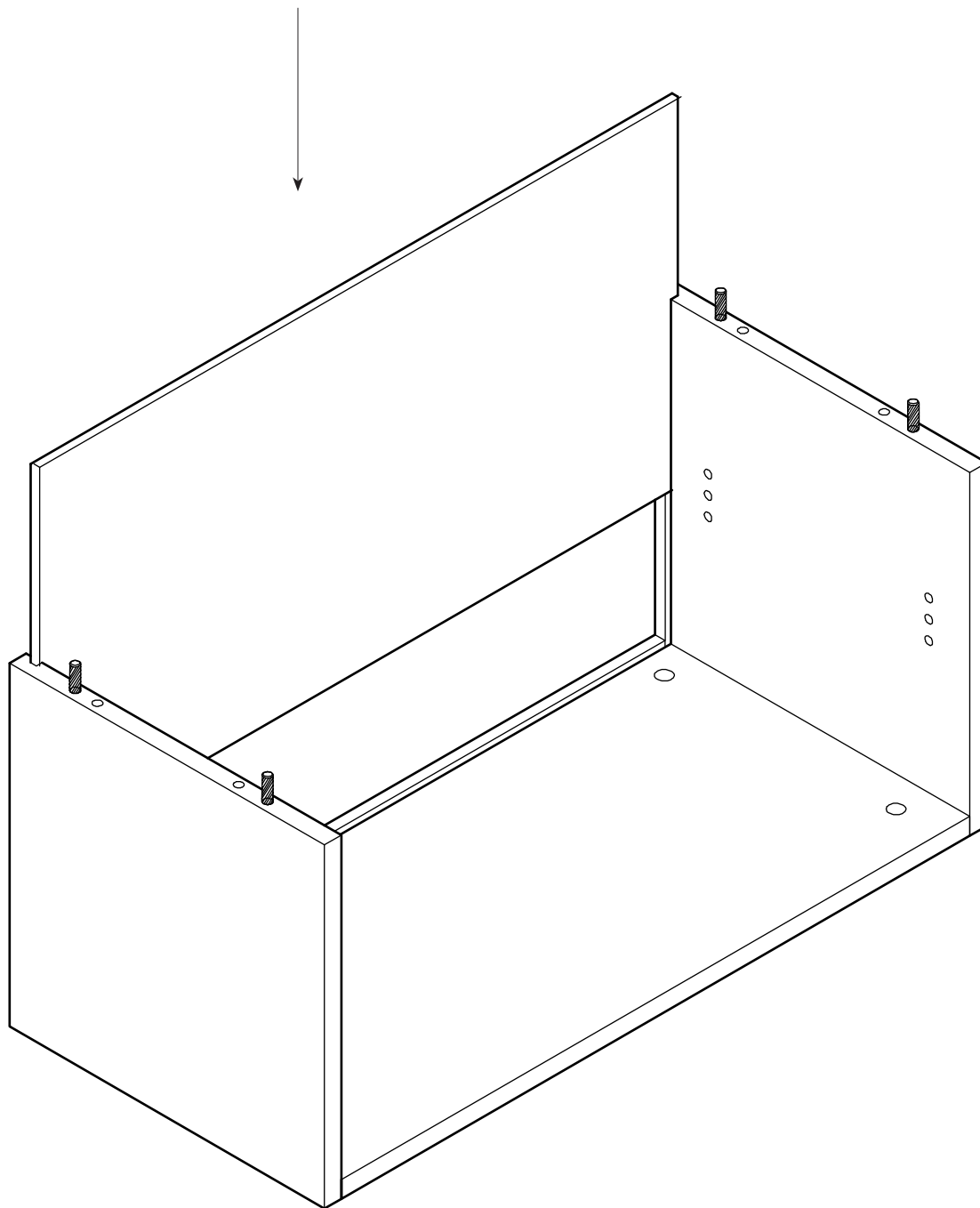


2. Align cams in cabinet side panels with predrilled holes in cabinet top. Align dowels in cabinet top with predrilled holes in table side panels. Bring together and insert as shown.

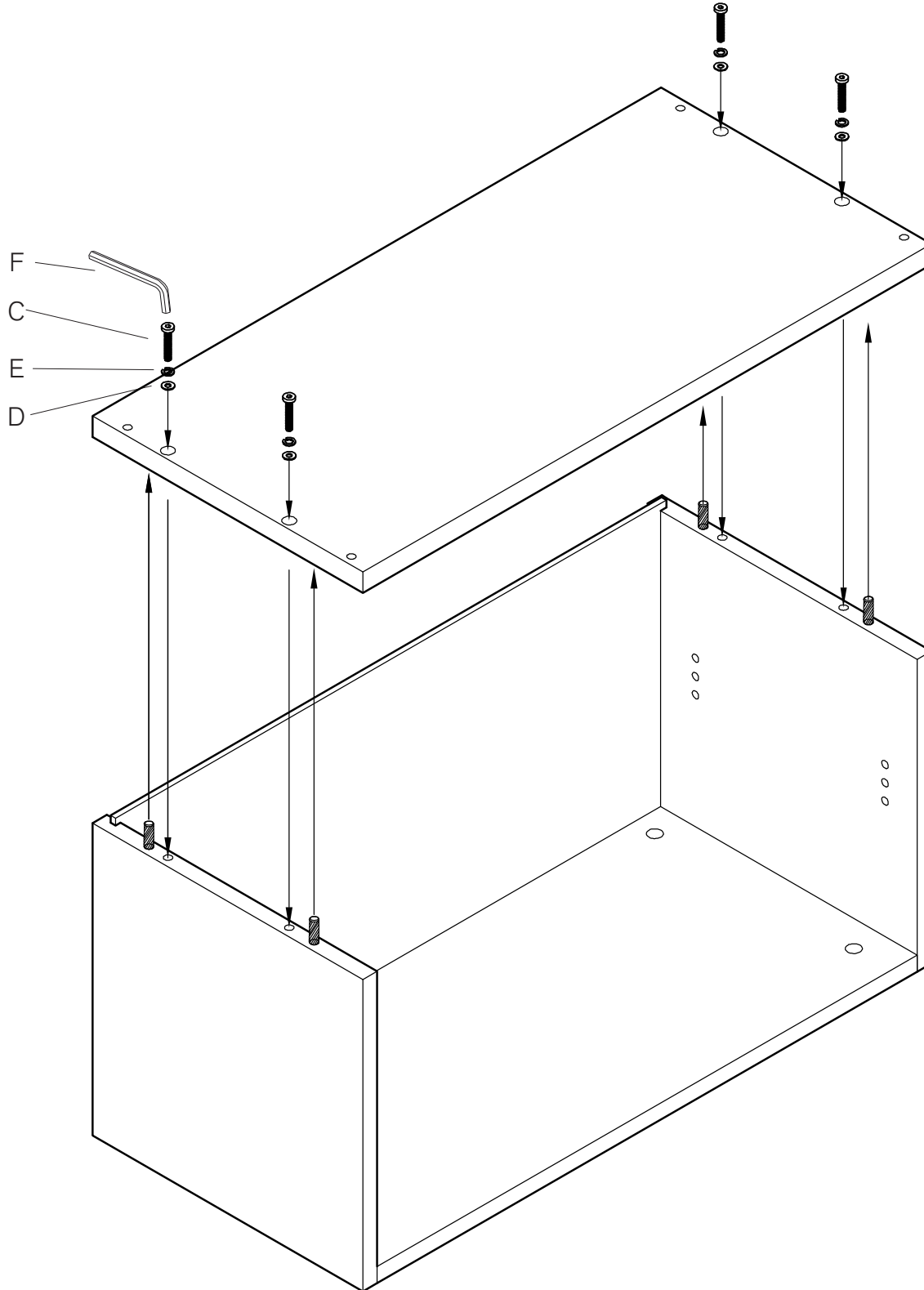
3. Insert cam lock (B) in predrilled holes in bottom face of cabinet top. Use screwdriver to tighten and secure.



4. Slide cabinet back panel into place as shown.

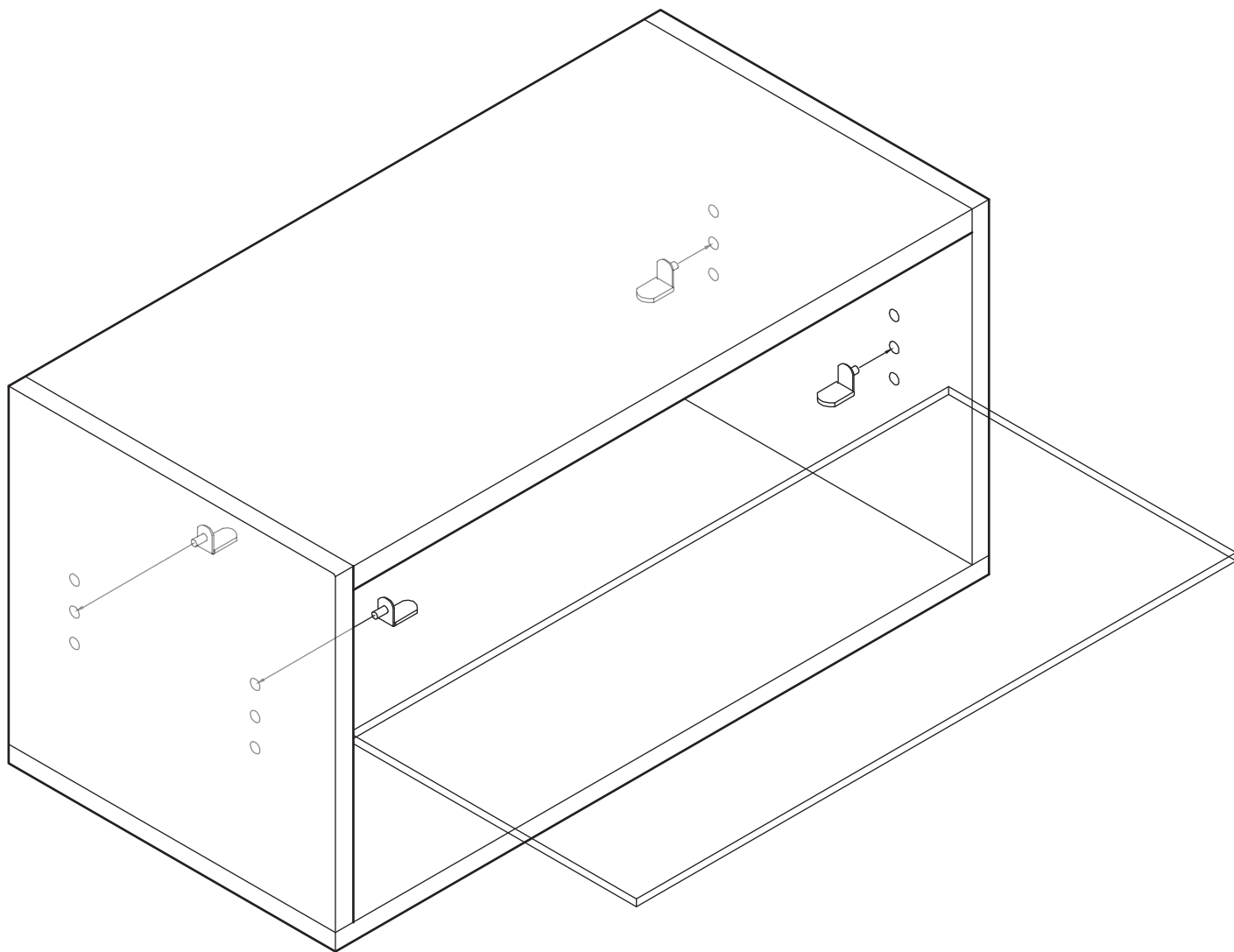


5. Align dowels along bottom edge of side panels with predrilled hole in top face of cabinet bottom. Insert bolt (C) with lock washer (E) and metal washer (D) through predrilled hole in cabinet bottom and into predrilled hole in bottom edge of side panels as shown. Tighten with allen key (F).



6. Insert shelf pins (G) into predrilled holes along the sides of the vertical panels. Take care to align pins to ensure that the shelves lay evenly.

7. Place the shelves on top of the shelf pins (G).

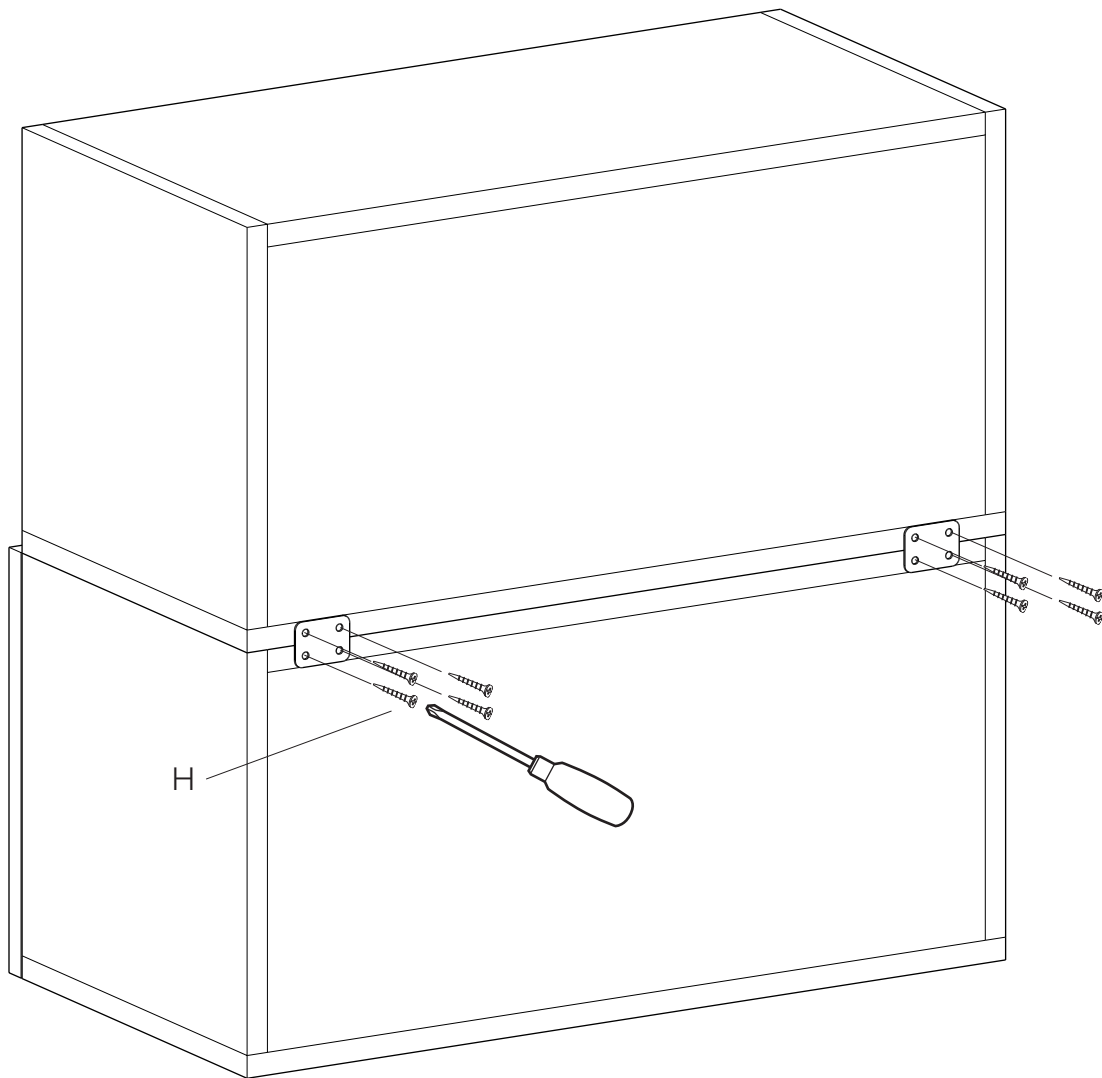


CARE INSTRUCTION

Hardware may loosen over time. Periodically check that all connections are tight.

Wipe with a soft, dry cloth. To protect finish, avoid the use of chemicals and household cleaners.

8. OPTIONAL: Carefully stack bath units. Align attachment plates as shown. Insert wood screw (H) with hole in attachment plate. Tighten with philips head screwdriver.



OVERBALANCE

To prevent injury and property damage from unexpected tipping of furniture, we highly recommend installation of the one (1) set of overbalance protection hardware included with this product.

1. Attach the mounting bracket (I) horizontally to the top back edge of the furniture. Insert the short screws (III) through the holes in the bracket (I) and tighten securely using screwdriver.
2. Determine where the furniture is to be placed and mark location on the wall for the other two mounting bracket screw holes. It should be placed approximately 2" below the bracket mounted to the furniture.
3. Attach the mounting bracket (I) vertically to the wall by inserting the long screws (IV) provided through the holes in the bracket and tightening securely using screwdriver.
4. Place the furniture so the bracket (I) on the back edge are in line with the bracket (I) on the wall.
5. Lace an end of the nylon restraint strap (II) down through each bracket (I). Bring both ends together and slide the thin end of the strap through the receiving end of the strap until snug.
6. Check to make sure the strap is securely laced and locked to the brackets.

