

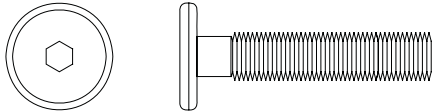

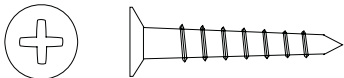
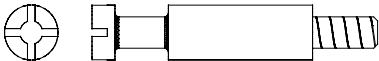
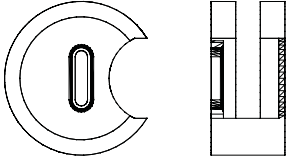
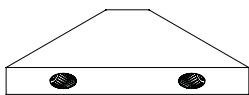
! Tools required:

! Do not throw away packaging materials until assembly is complete.

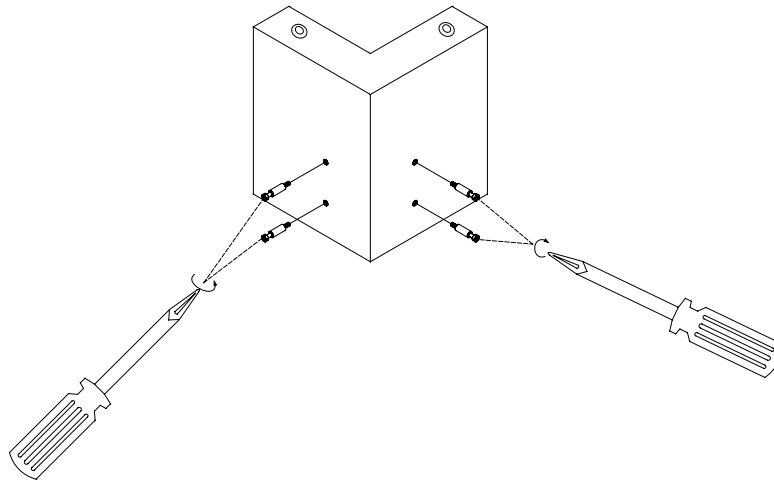
! Assemble this item on a soft surface, such as cardboard or carpet, to protect finish.

! Proper assembly of this item requires 2 people.

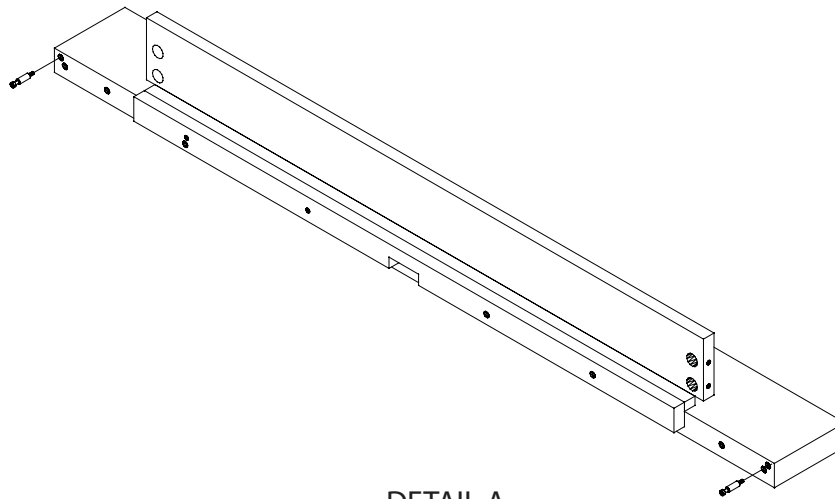
Hardware

<p>A</p>  <p>bolts 40mm 14x</p>	<p>B</p>  <p>allen key 1x</p>
<p>C</p>  <p>screws #8 x 38mm 4x</p>	<p>D</p>  <p>connecting bolt 20x</p>
<p>E</p>  <p>maxi-fix 20x</p>	<p>F</p>  <p>corner blocks 4x</p>

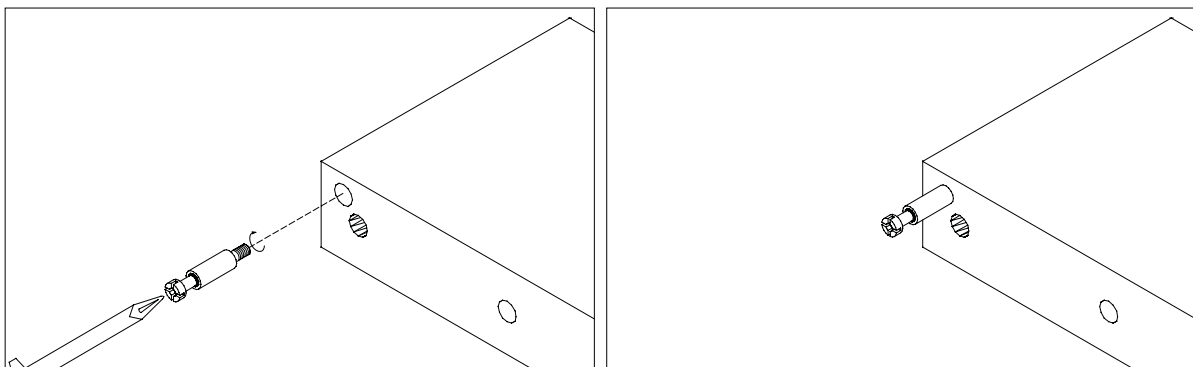
1. Attach 4 connecting bolts (D) to the each leg.



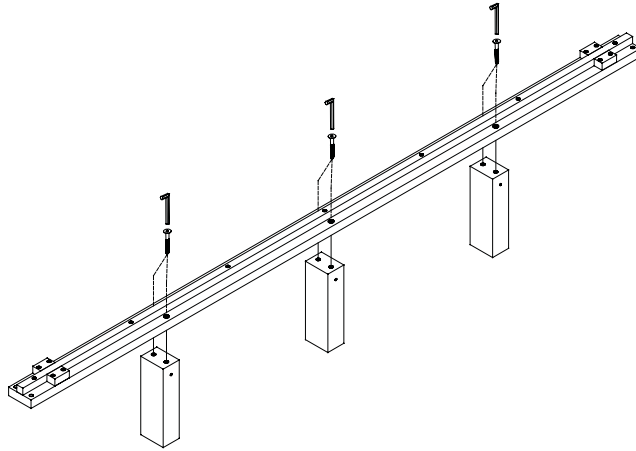
1. Attach 2 connecting bolts to the side rails, Please see detail A for reference.



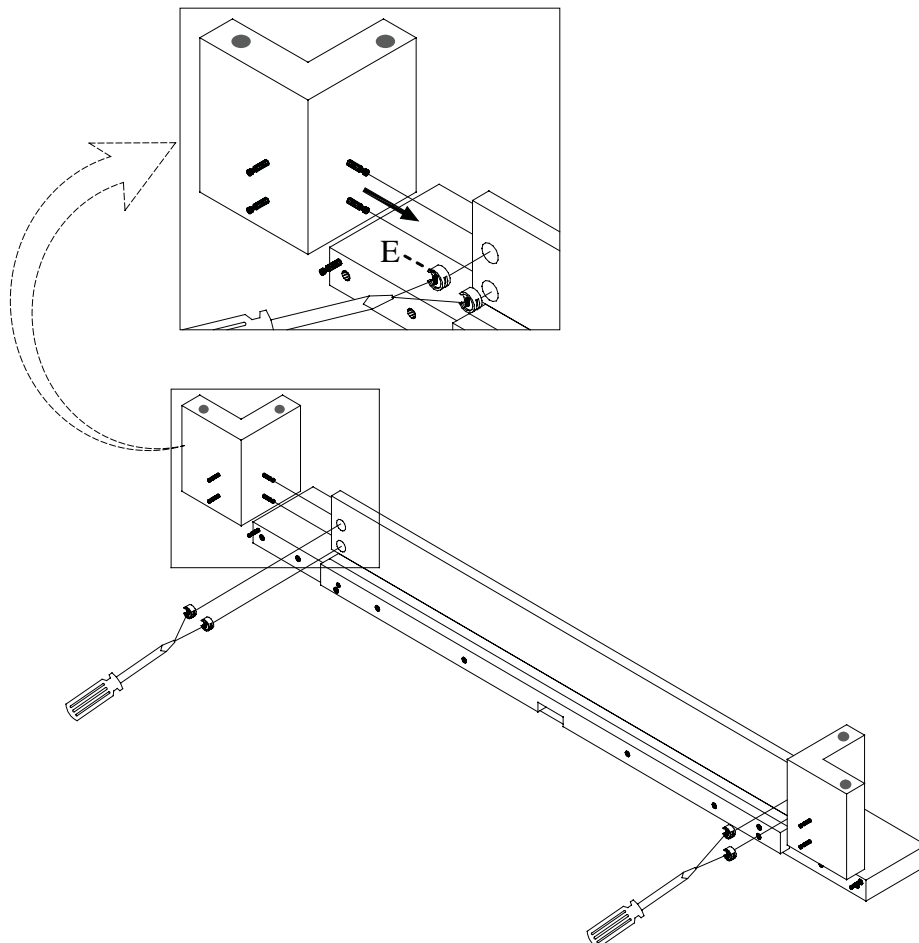
DETAIL A



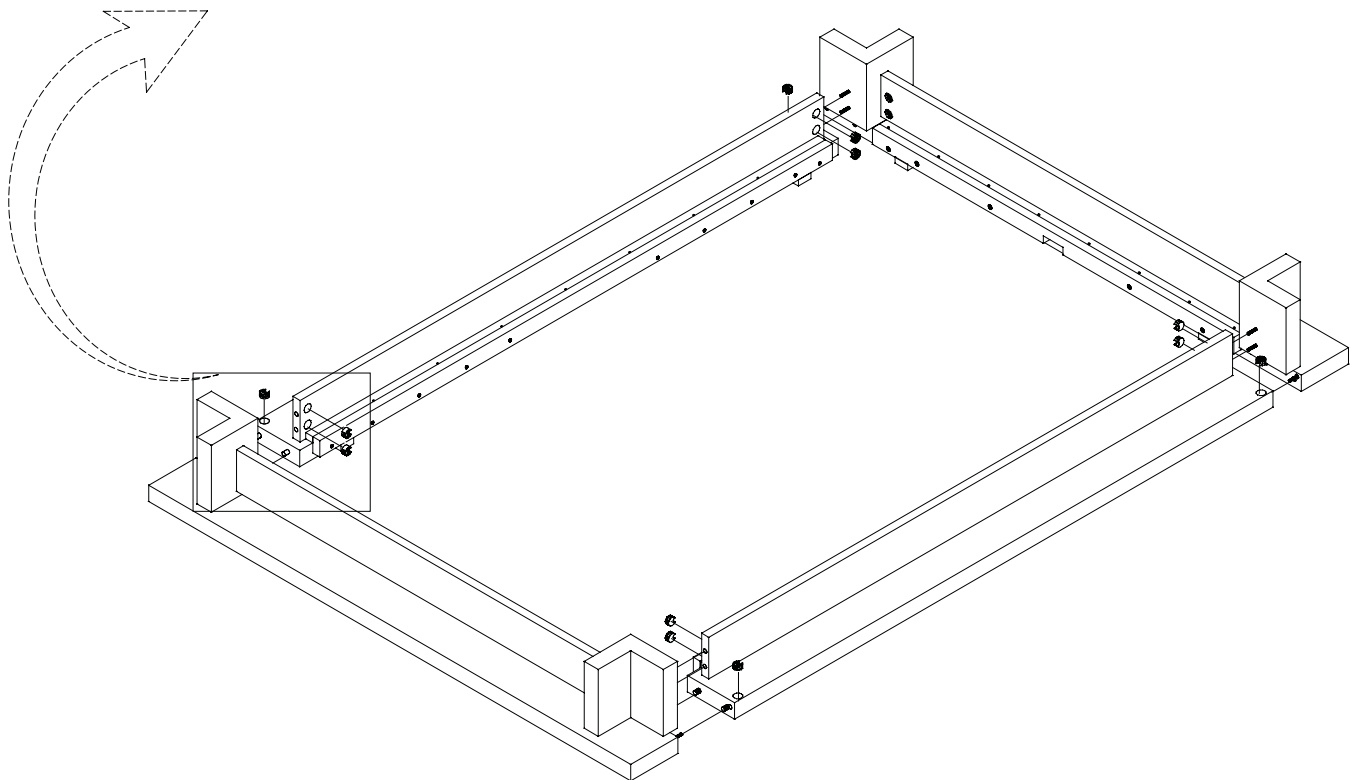
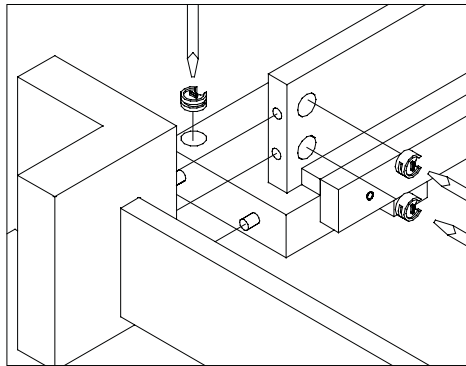
3. Attach the center legs to the center rail using bolts (A) and secure them using allen key (B).



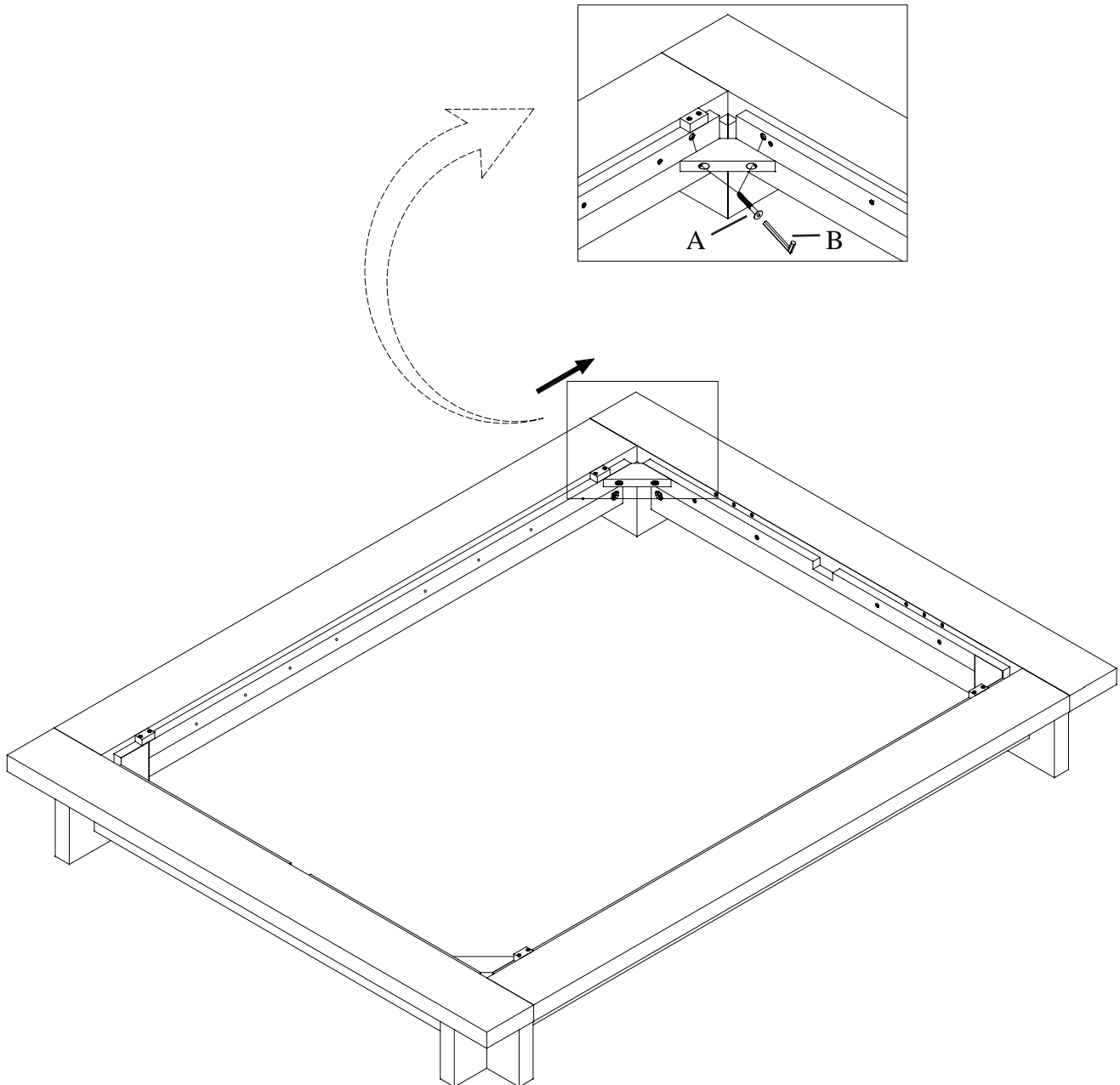
4. Connect the side rails to corner legs and secure them using maxi-fix (E).



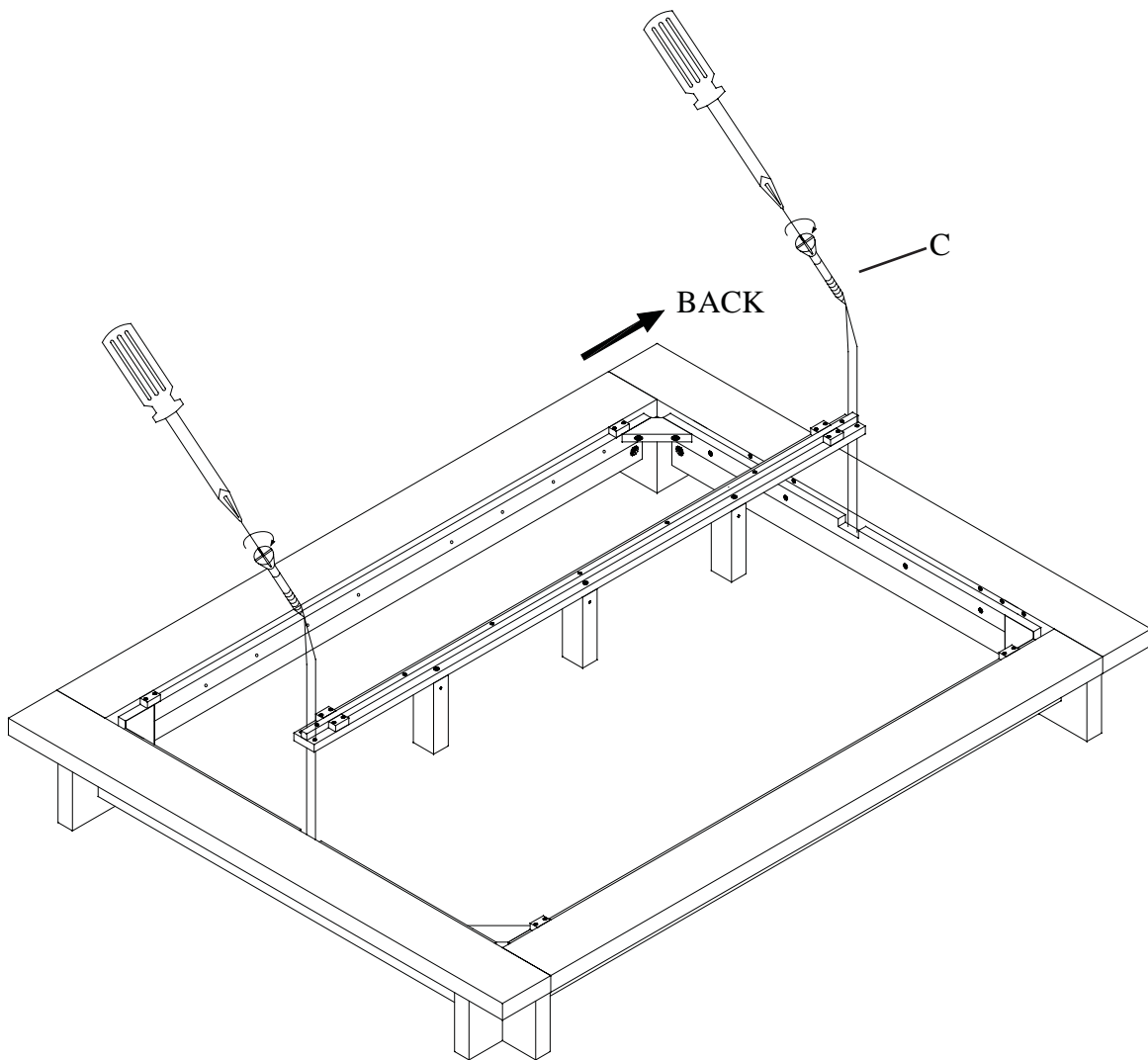
5. Repeat step 4 for front and back rails. Secure them using maxi-fix (E). Connect side rails to head and foot rail using maxi-fix (E).



6. Flip bed over into upright position. Attach the corner blocks (F) and secure them with 2 bolts (A) for each side using allen key.



7. Put the center rail into position and secure it with 2 screws (C) for each side.



CARE INSTRUCTIONS

Hardware may loosen overtime. Periodically check that all connections are tight.

Wipe with a soft, dry cloth. To protect finish, avoid the use of chemicals and household cleaners.