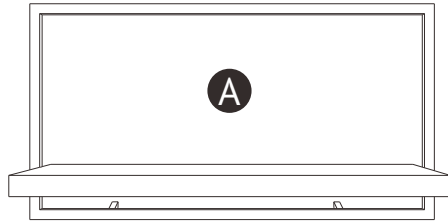
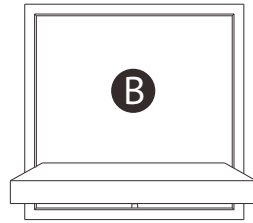


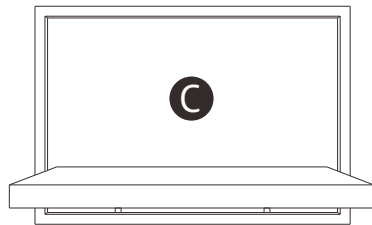
# MEET THE OTHER MATES



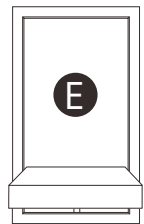
65x25.5x35 cm



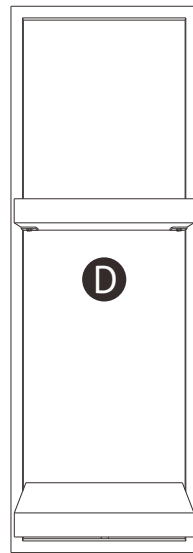
35x25.5x35 cm



50x25.5x35 cm



20x25.5x35 cm



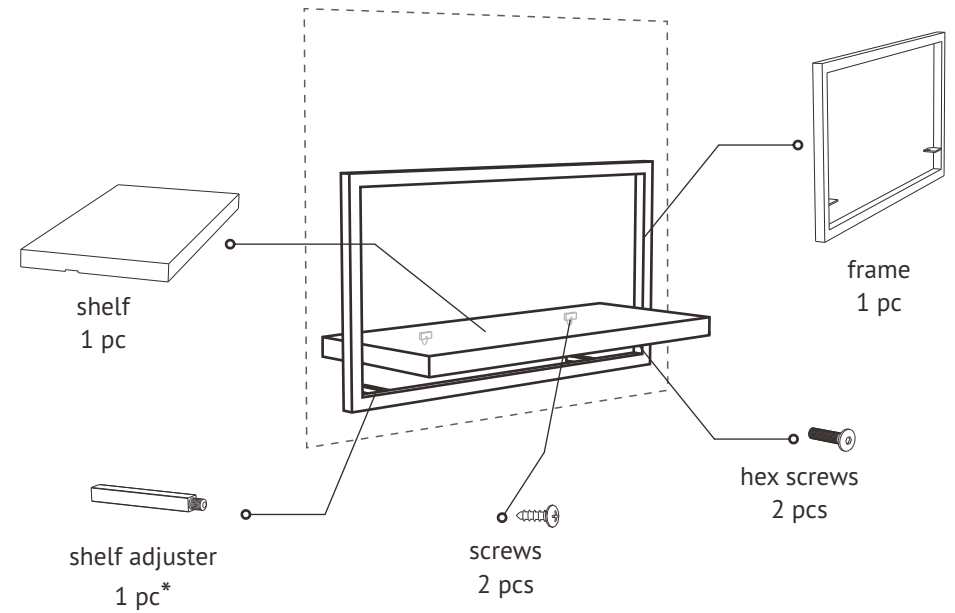
25x25.5x75 cm

# d-Bodhi<sup>®</sup> SHELFMATE

ASSEMBLING INSTRUCTIONS

## LET'S GET STARTED!

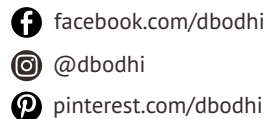
( check if all parts are in the box )



\*note : SHELFMATE A and C has 2 adjusters  
B, D and E have only 1

## SHELFMATE : a d-Bodhi product.

Hi there! We are d-Bodhi, a furniture and lifestyle company that works mainly with reclaimed and recycled materials. If you like SHELFMATE make sure to check out more of our products on: [d-Bodhi.com/shelfmate](https://d-Bodhi.com/shelfmate)



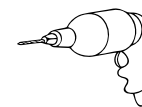
100%  
RECLAIMED  
TEAKWOOD

printed on recycled paper, of course ♻️

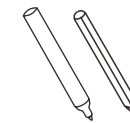
### TOOLS YOU NEED TO PREPARE



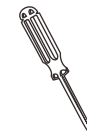
allen key  
(included)



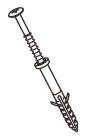
drill



marker / pencil



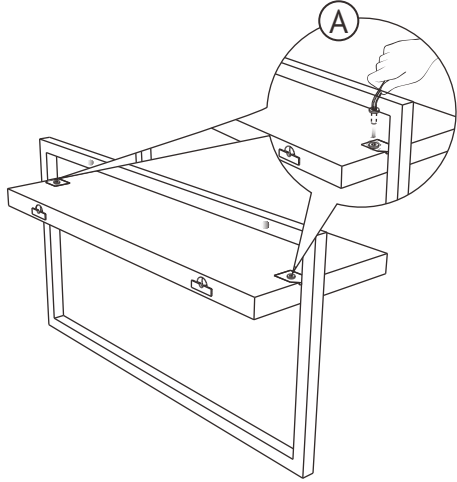
screwdriver



wall plugs

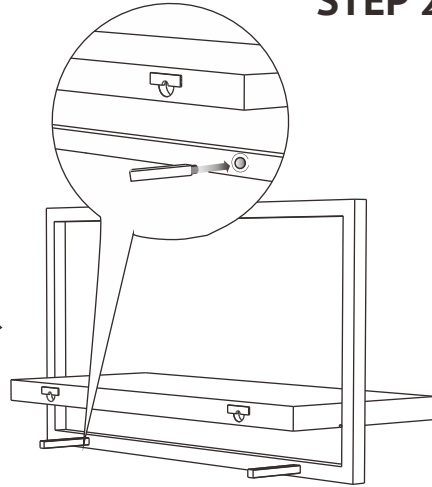
d-Bodhi.com

**STEP 1**



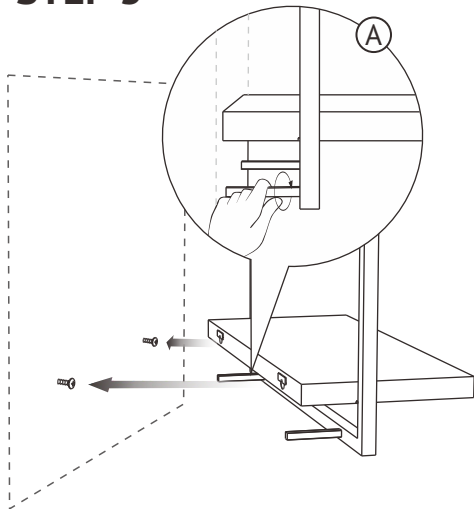
Screw the shelf in its frame as pictured above, then tighten the screws (A)

**STEP 2**



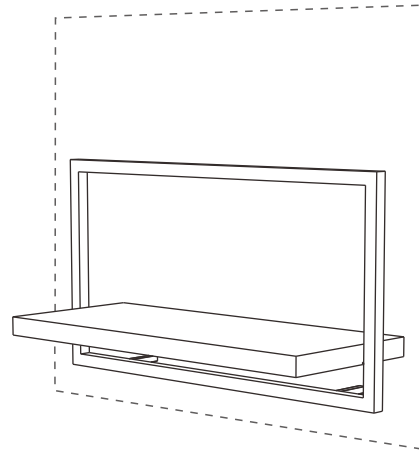
Place the adjuster(s)  
note: SHELFMATE B, D and E have only 1 adjuster

**STEP 3**



Attach screws to the wall. Hang the SHELFMATE and fine tune with adjuster(s) (A)

**STEP 4**



Congratulations!  
Your SHELFMATE is ready

**MAKE IT EASY, USE THE TOOLKIT**

- Cut out the measurement Tee (A) and use the inside of the box as a drill hole template (B)
- Pierce the drill marks, position the box and transfer the marks to the wall
- Drill holes at the marked spots
- Screw the screw into the wall (use plugs if necessary)

More hanging tips on our website:  
[www.d-bodhi.com/shelfmate](http://www.d-bodhi.com/shelfmate)

**SPACING**

Use the Tee to position the SHELFMATE modules towards each other horizontally and vertically