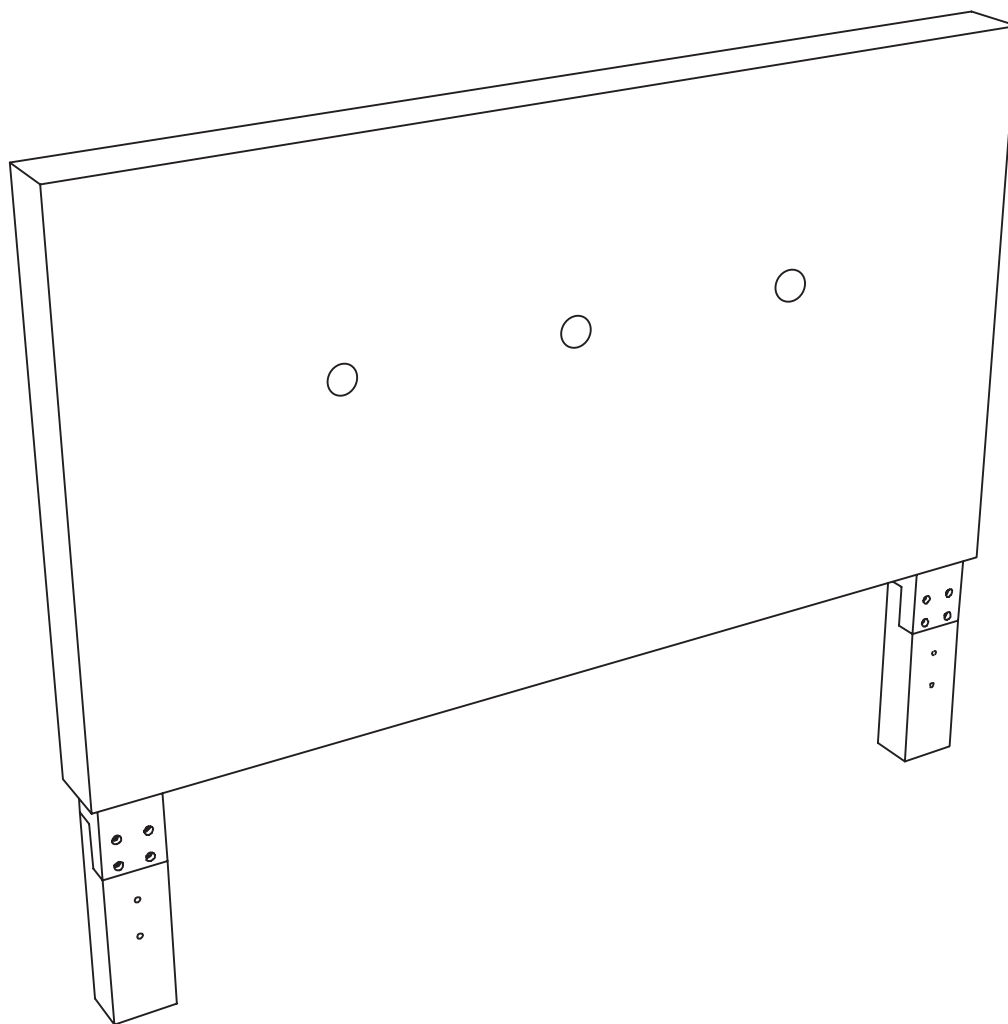


west elm

button tufted upholstered headboard

assembly instructions

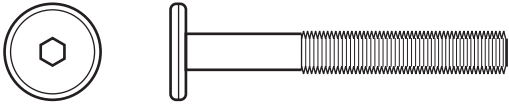
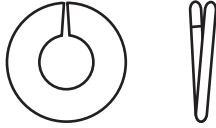
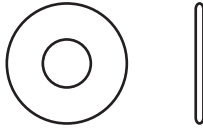
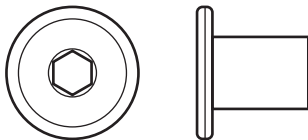



! Do not throw away packaging materials until assembly is complete.

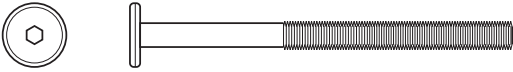
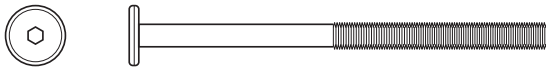
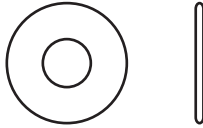

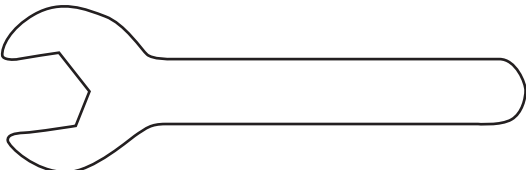

! Assemble this item on a soft surface, such as cardboard or carpet, to protect finish.

! Proper assembly of this item requires 2 people.

For assembly of headboard:

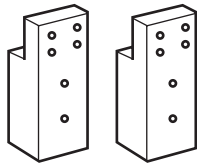
<p>A</p>  <p>bolt: 6mm dia x 60mm long 8x</p>	<p>B</p>  <p>lock washer 8x</p>
<p>C</p>  <p>metal washer 8x</p>	<p>D</p>  <p>cap nut 8x</p>
<p>E</p>  <p>allen key 1x</p>	

For attaching headboard to bedframe

<p>F</p> <p>For use attaching to standard metal bedframes</p>  <p>short bolt: 6mm dia x 70mm 4x</p>	<p>G</p> <p>For use attaching to wooden bedframes.</p>  <p>long bolt: 6mm dia x 90mm 4x</p>
<p>H</p>  <p>metal washer 8x</p>	<p>I</p>  <p>nut 4x</p>
<p>J</p>  <p>wrench 1x</p>	<p>K</p>  <p>allen key 1x</p>

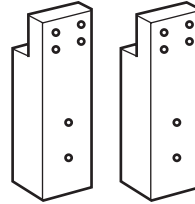
1. Choose the legs to match your bedframe.

For bedframe with mattress only:



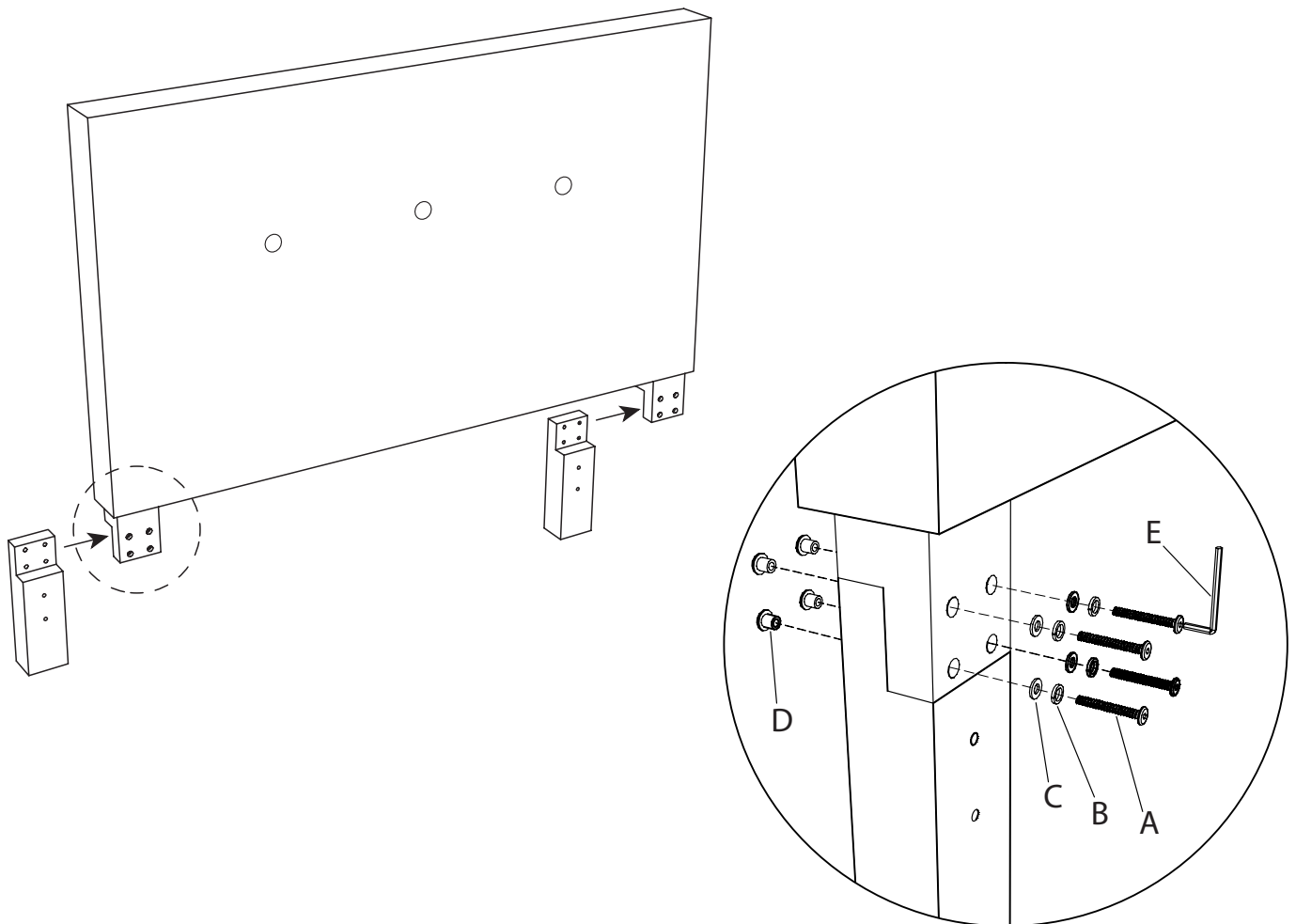
use short legs

For bedframe with boxspring and mattress:



use tall legs

2. Fasten legs to headboard using screws (A), lock washers (B), flat washers (C), and nuts (D) in order as shown. Tighten screws with allen key (E).



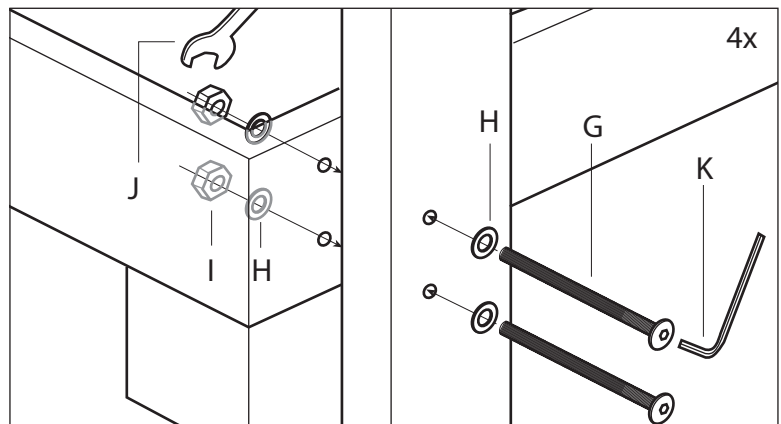
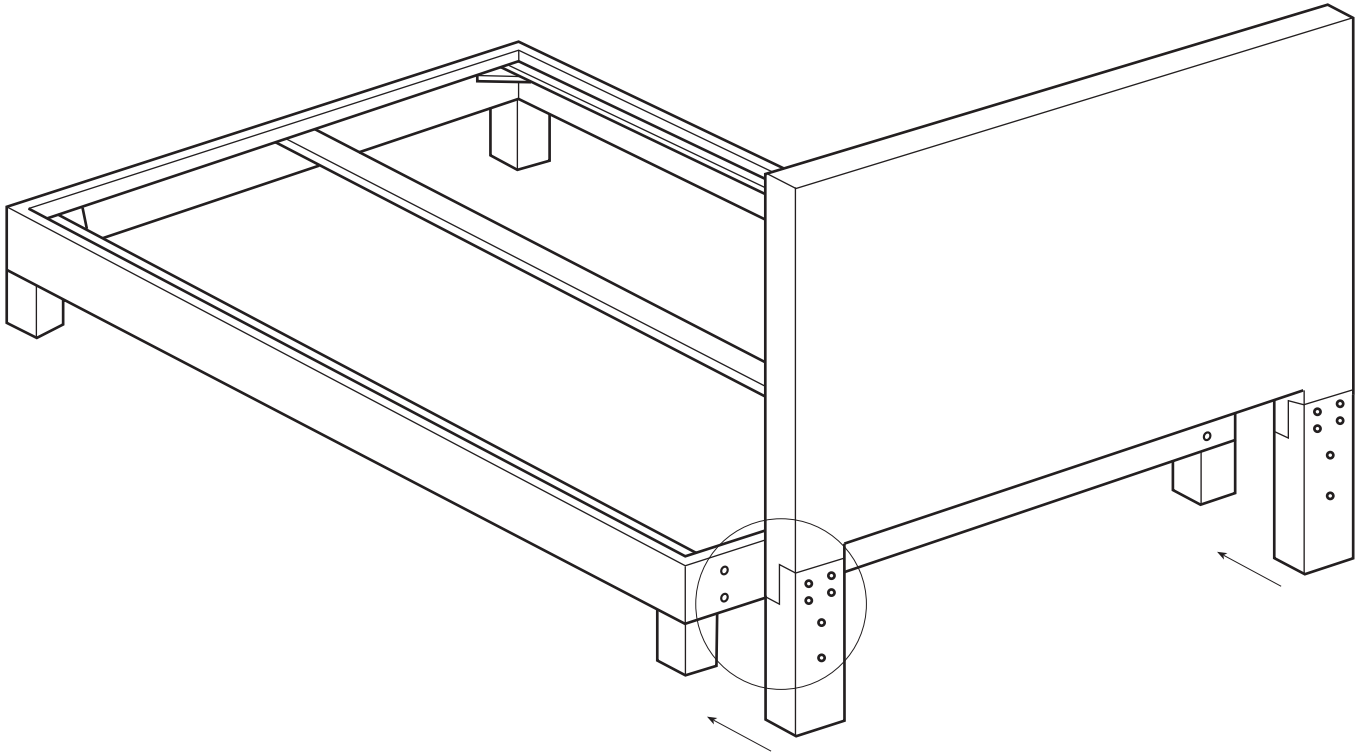
CARE INSTRUCTIONS

Hardware may loosen over time. Periodically check that all connections are tight.

Wipe with a soft, dry cloth. To protect finish, avoid the use of chemicals and household cleaners.

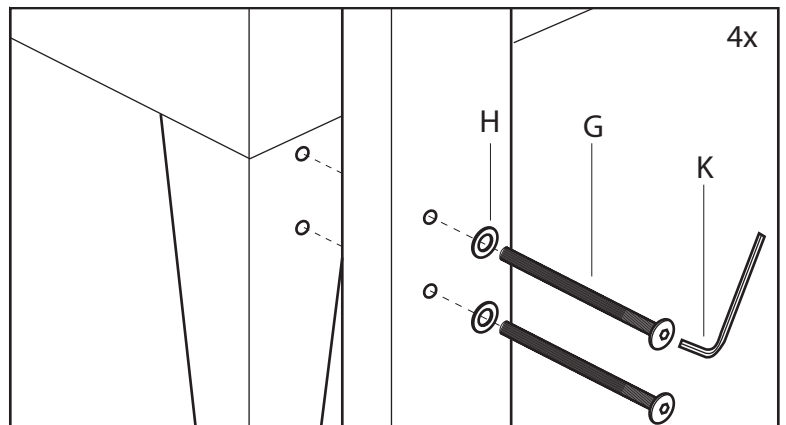
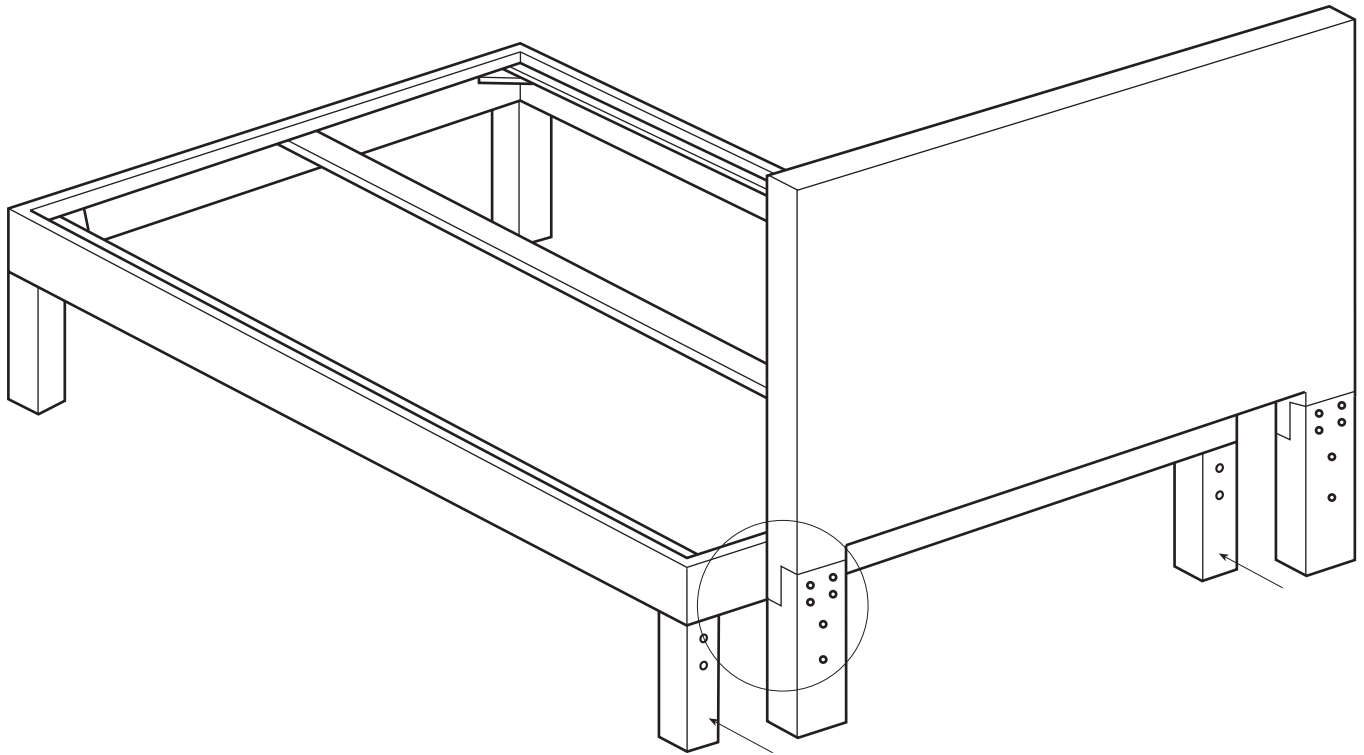
Attaching the headboard to wood bed frame

1. Align hardware as shown and tighten.



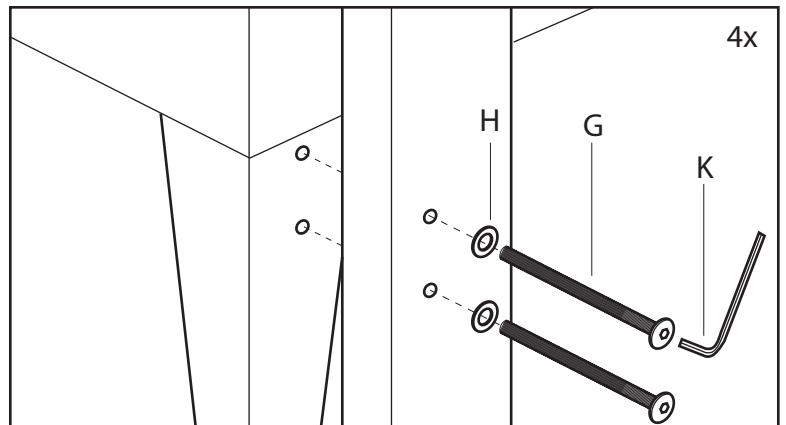
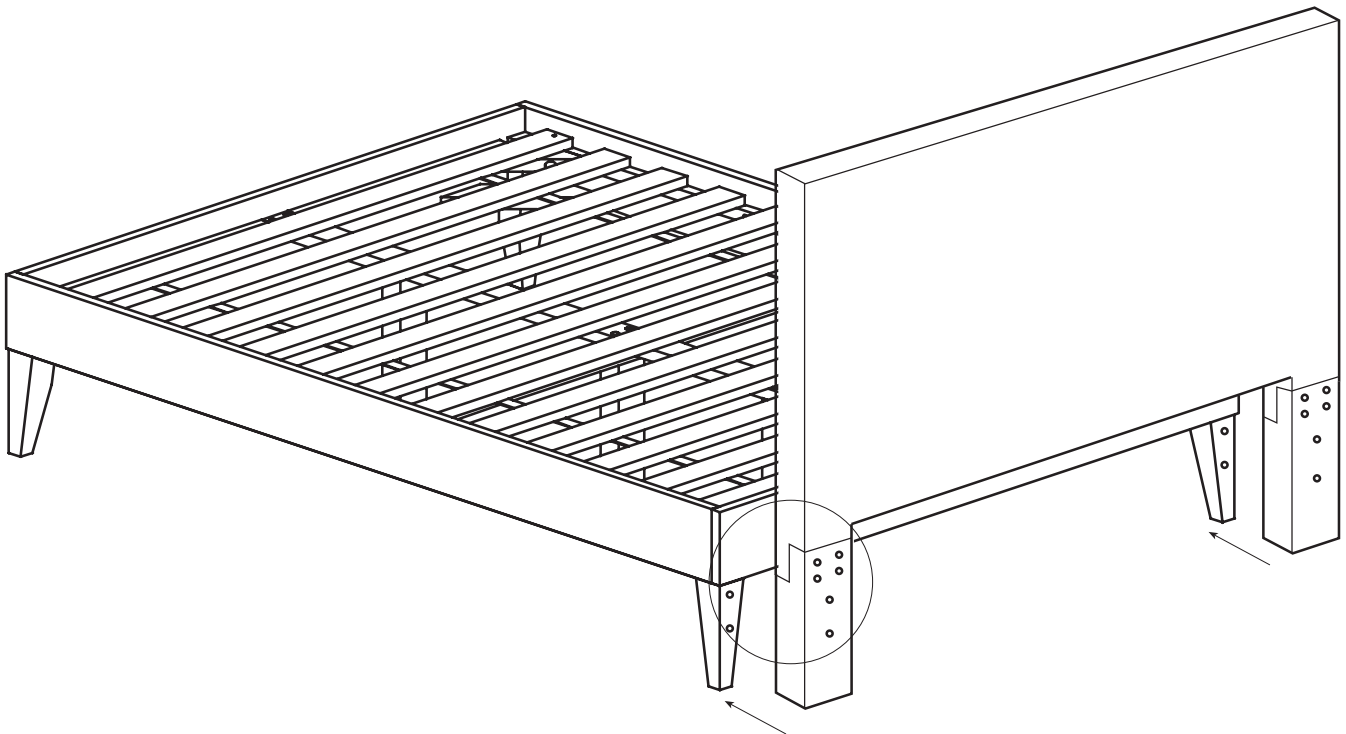
Attaching the headboard to tall wood bed frame

1. Align hardware as shown and tighten.



Attaching the headboard to narrow leg bed frame

1. Align hardware as shown and tighten.



Attaching the headboard to standard metal frame

1. Align hardware as shown and tighten.

