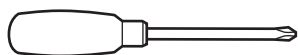
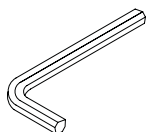


! Tools required:

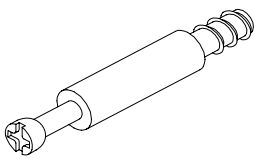
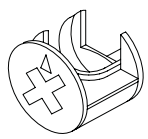
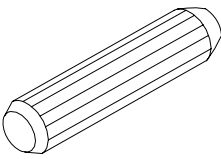
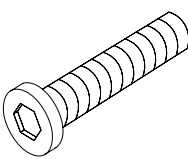
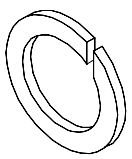
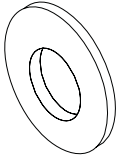
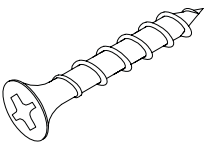
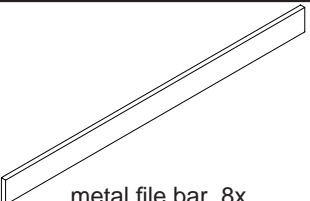


! Do not throw away packaging materials until assembly is complete.

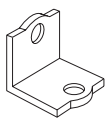
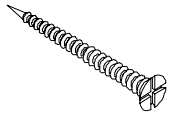
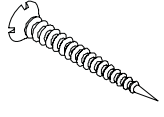

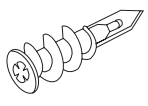
! Assemble this item on a soft surface, such as cardboard or carpet, to protect finish.

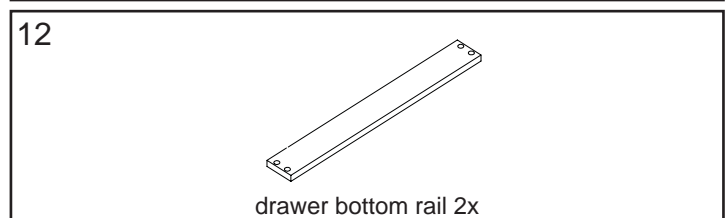
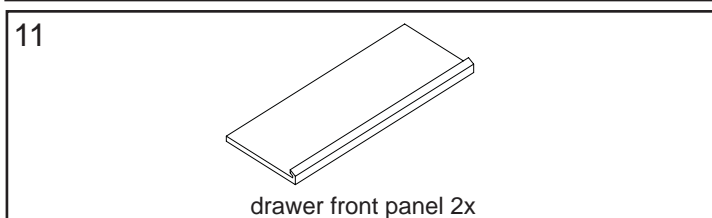
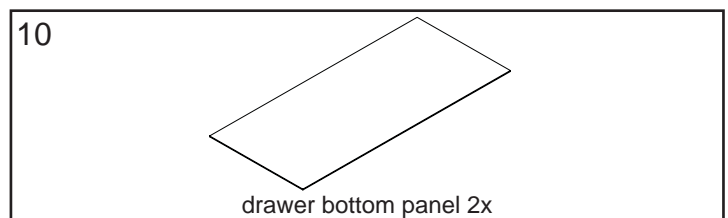
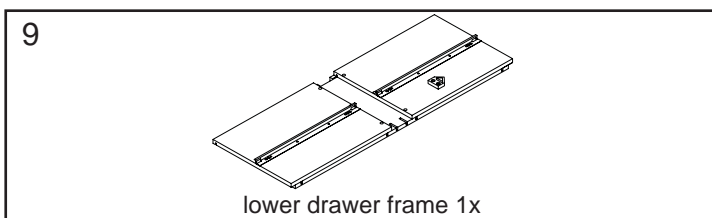
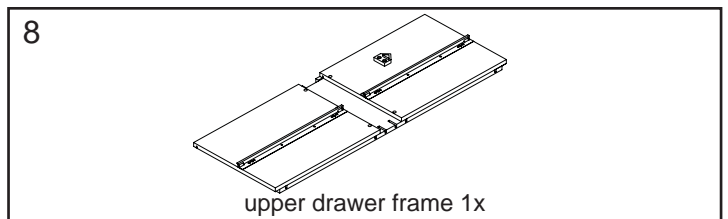
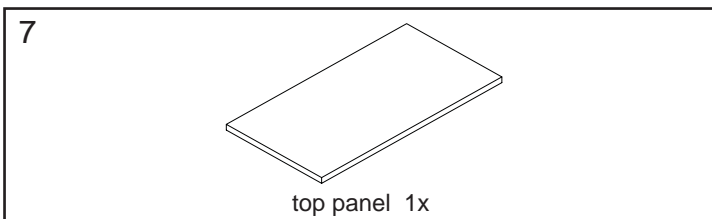
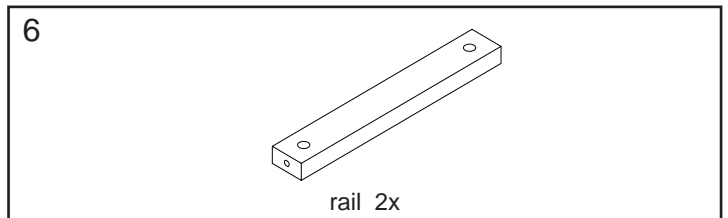
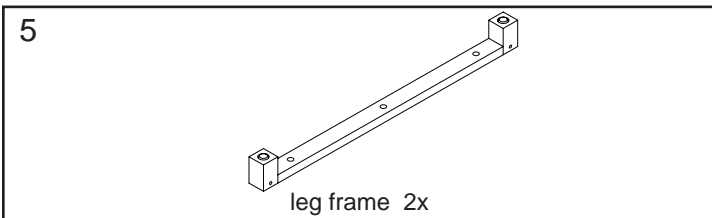
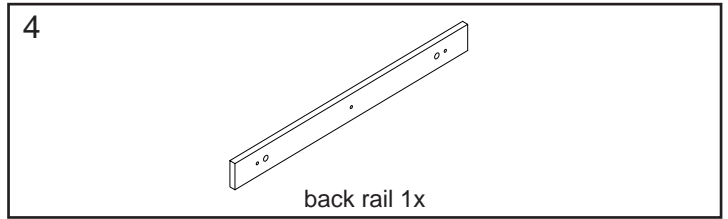
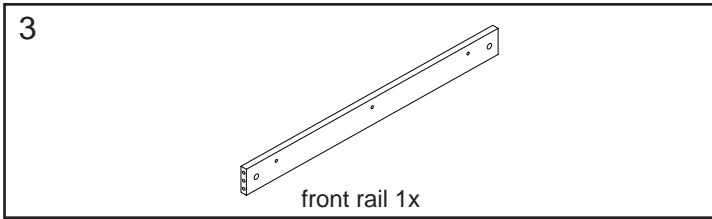
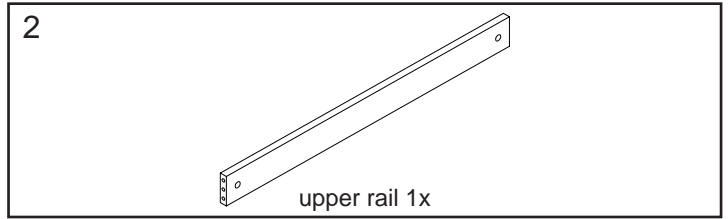
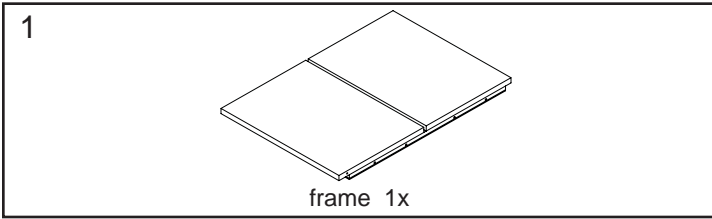
! Proper assembly of this item requires 2 people.

Hardware

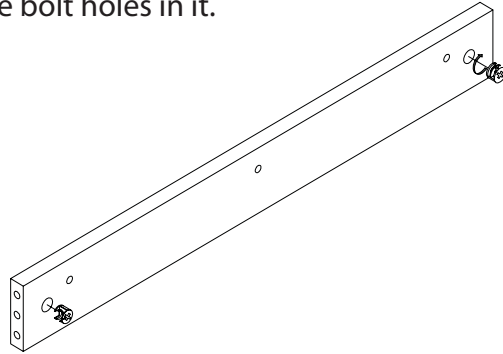
A  cam bolt 12x	B  cam lock 12x
C  wood dowel 14x	D  bolt 8x
E  spring washer 8x	F  flat washer 8x
G  long wood screw 22x	H  metal file bar 8x

Anti tip kit

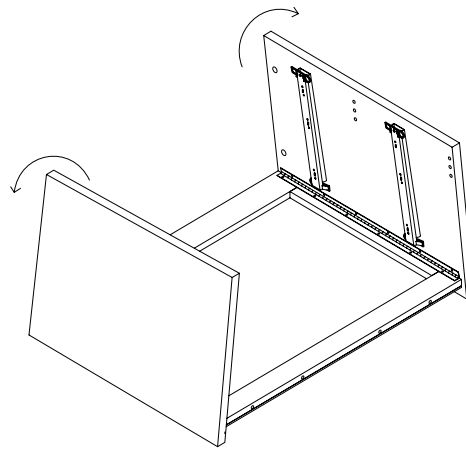
 Mounting Plate 4x	 Large Screw 2x	 Small Screw 2x	 Nylon Strap 2x	 wall anchor 2x
--	---	---	--	---



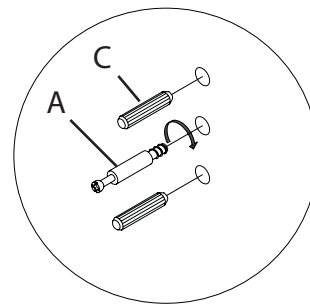
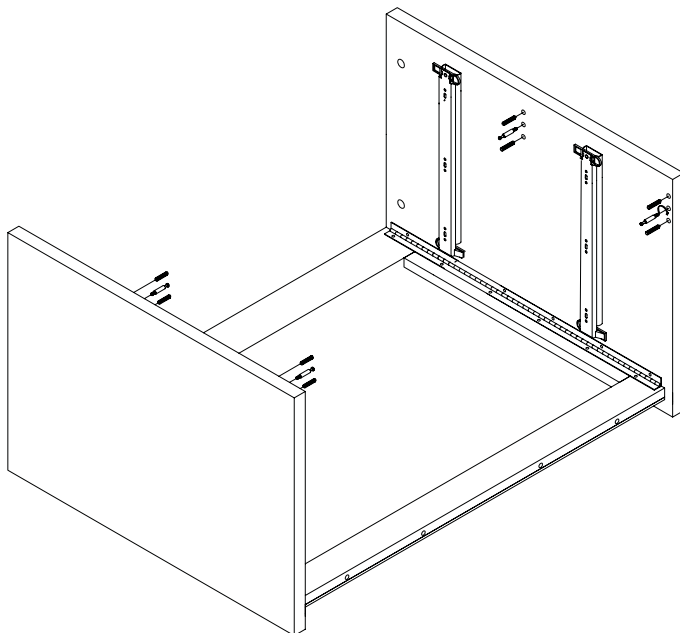
1. Locate the 1 upper rail (2) and 1 front rail (3) and insert cam locks (B) into the holes as shown.
Note: the front rail (3) has 3 more bolt holes in it.



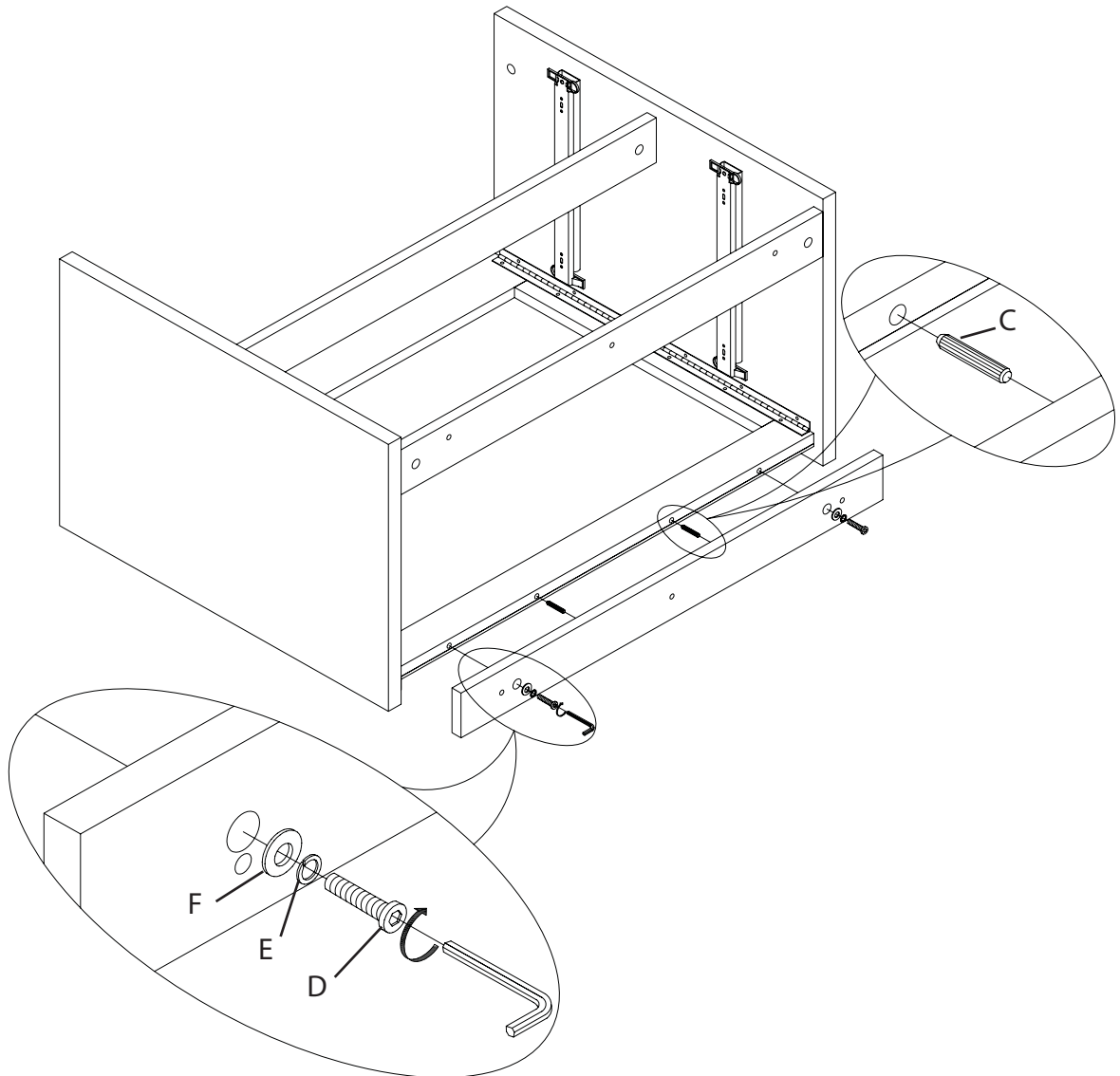
2. Lay the frame (1) on a clean smooth surface and open the hinged sides outward to 90 degrees.



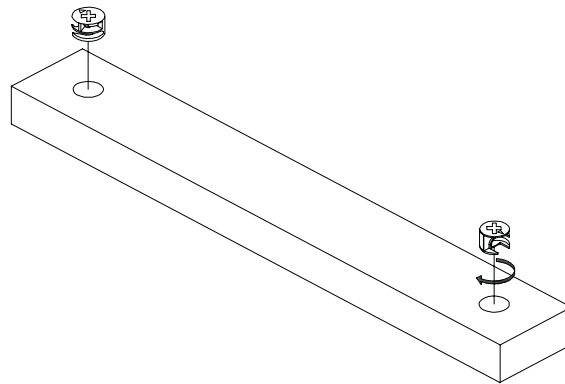
3. Insert wooden dowels (C) into holes as shown. Screw cam bolts (A) into holes as shown.



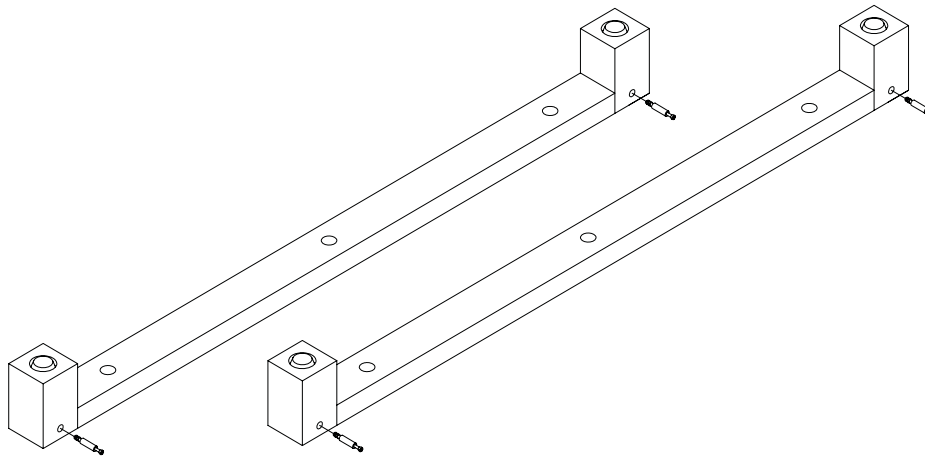
4. Insert wooden dowels (C) into bottom of frame. Align back rail with these dowels and attach using bolt (D), spring washer (E), and flat washer (F). Tighten with allen key.



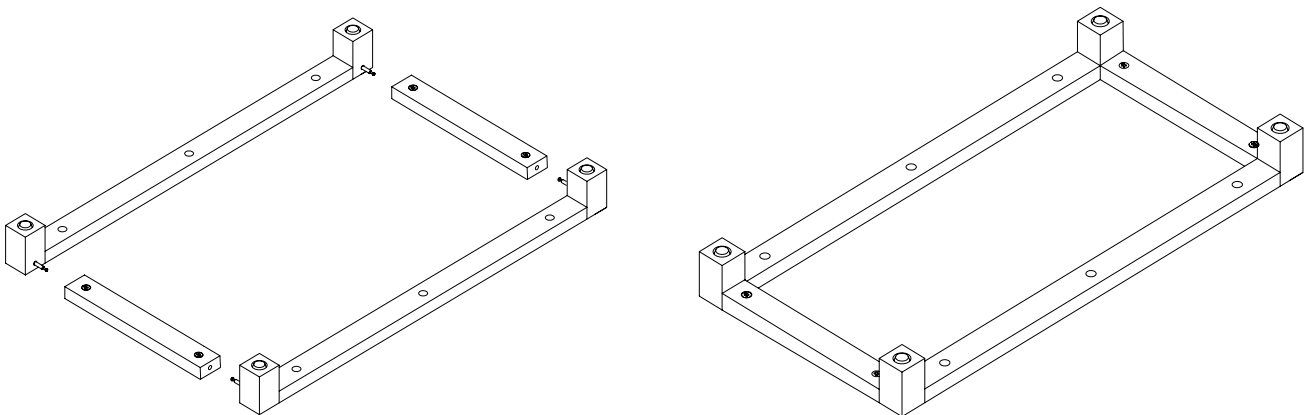
5. Locate the rails (6). Insert cam locks (B) into each end like the drawing shows.



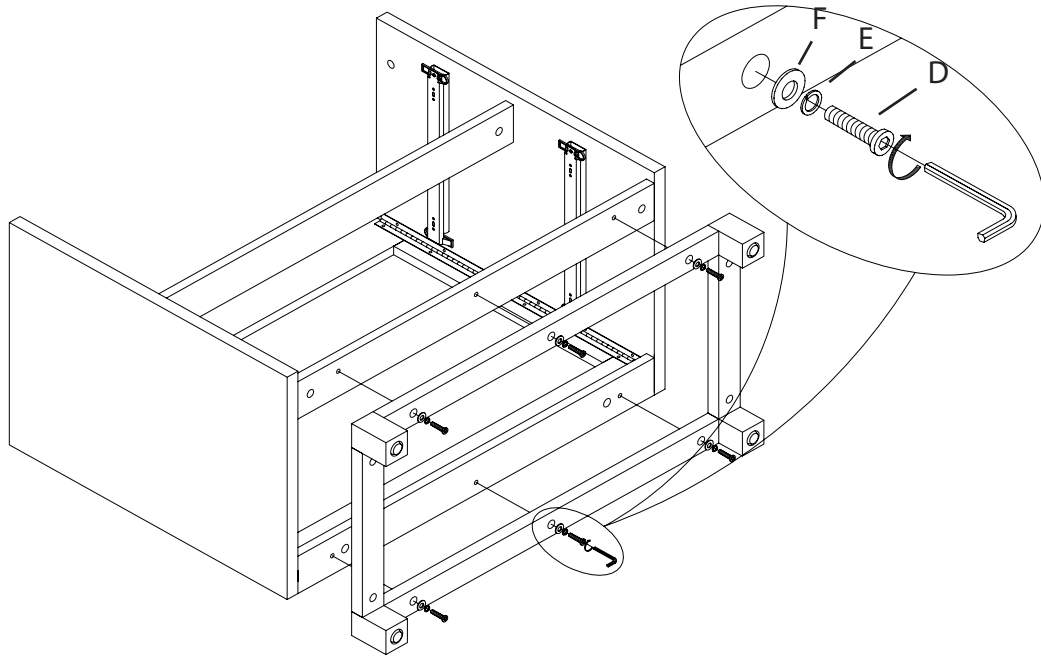
6. Screw in cam bolts (A) into each leg frame (5) as shown.



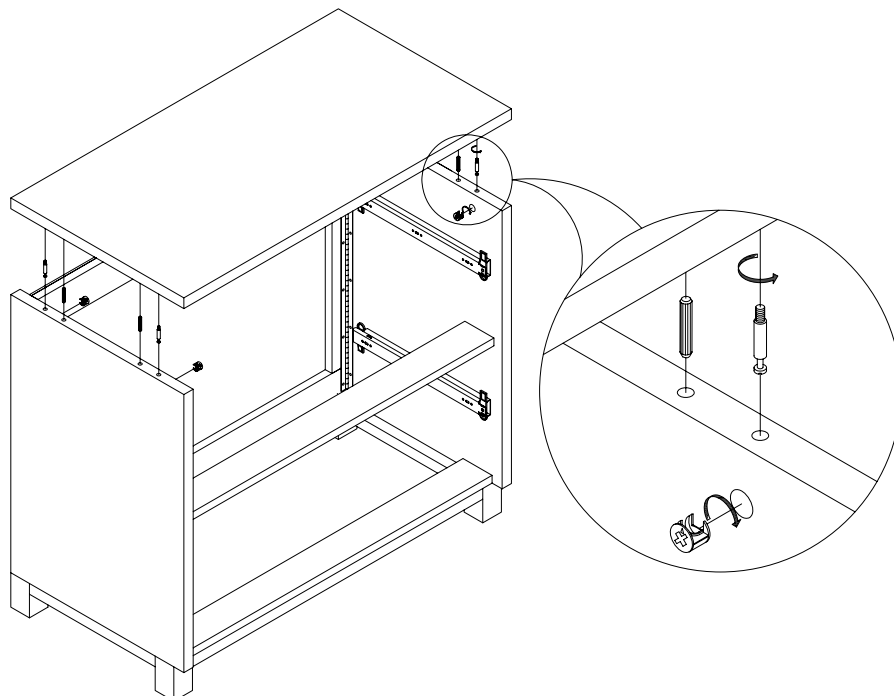
7. Assemble bottom frame by attaching the 2 rails (6) to the 2 leg frames (5) and tighten cam locks (B) with supplied allen key.



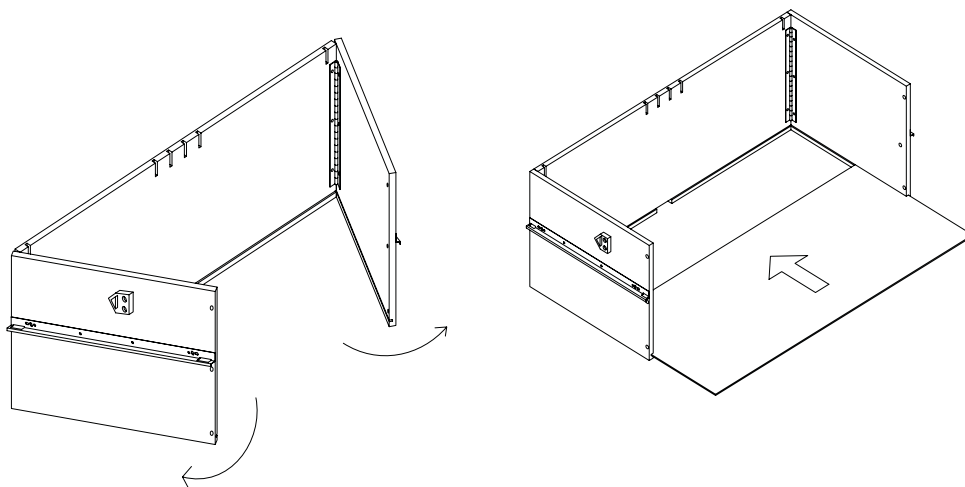
8. Align assembled base frame with the holes in the bottom of the cabinet and attach using bolt (D), spring washer (E), and flat washer (F).



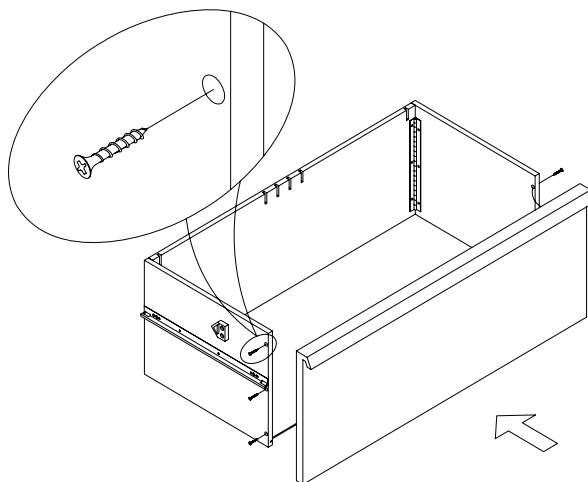
9. Screw cam bolt (A) into bottom of top panel (7). Insert wooden dowels (C) into top of cabinet frame. Insert cam locks (B) into holes in top of cabinet sides. Align holes and place top panel down onto cabinet. Tighten Cam locks (B) with phillips head screwdriver 1/2 turn.



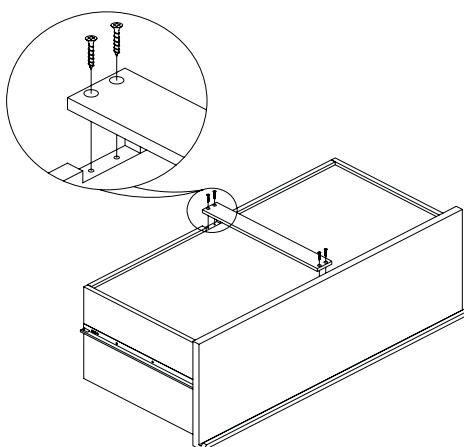
10. Unfold upper drawer frame (8) and lower drawer frame (9). Slide drawer bottom panel (10) into slots on sides of



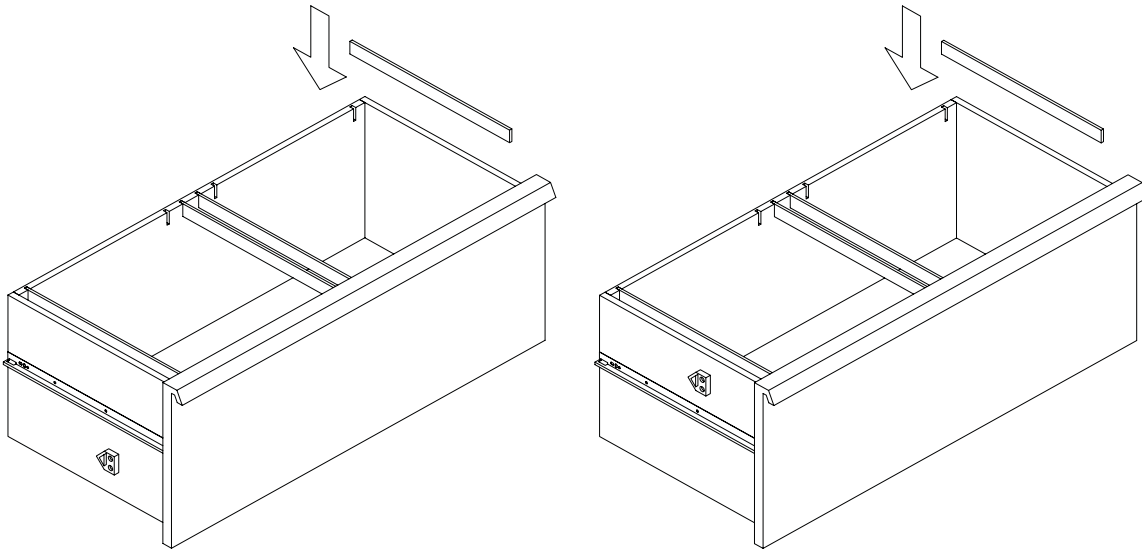
11. Align drawer front panels (11) to drawer frames (8 & 9). Attach using long screws (G), tighten with phillips head screwdriver. **DO NOT OVERTIGHTEN.**



12. Attach drawer bottom rail (12) to the bottom of each drawer using long screws(G). Tighten with phillips head screwdriver. **DO NOT OVERTIGHTEN.**

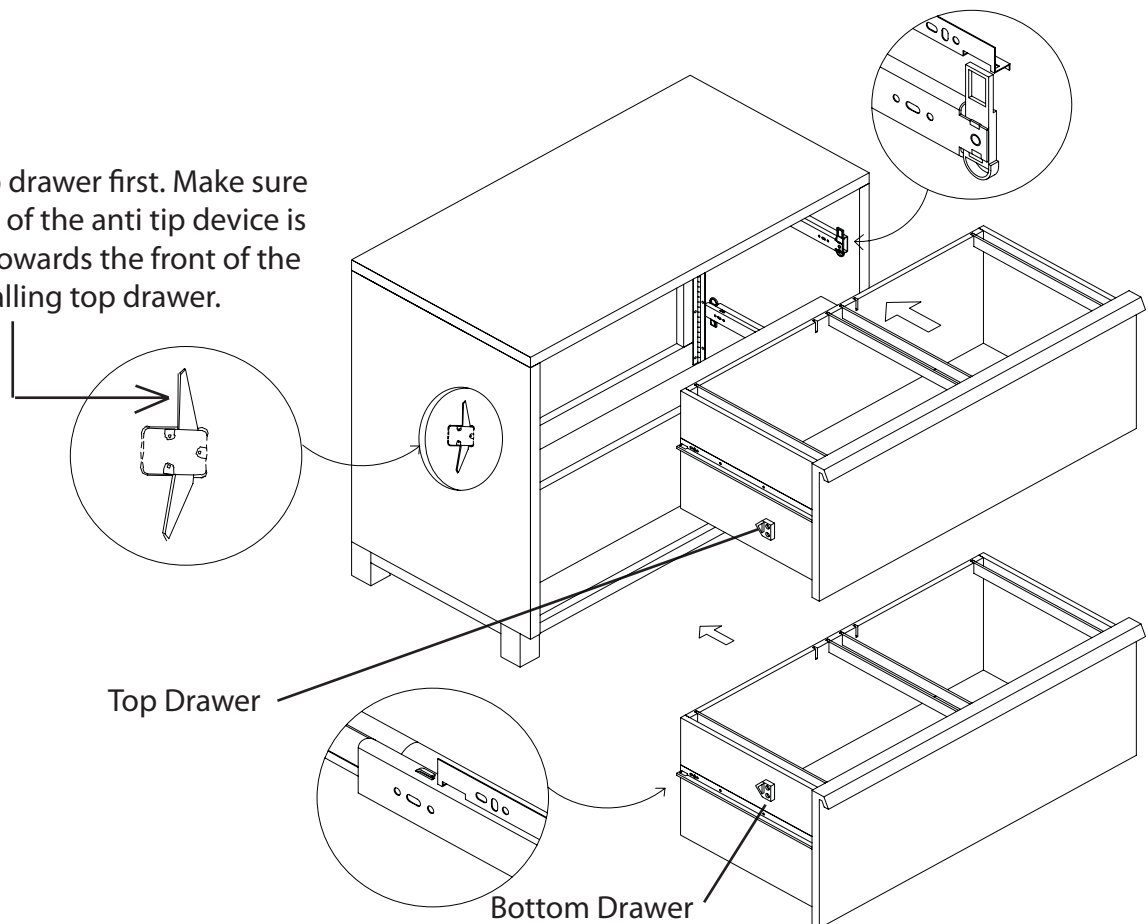


13. After drawers are assembled insert metal file bars (H) where you would like them.
They will work for letter or legal files.



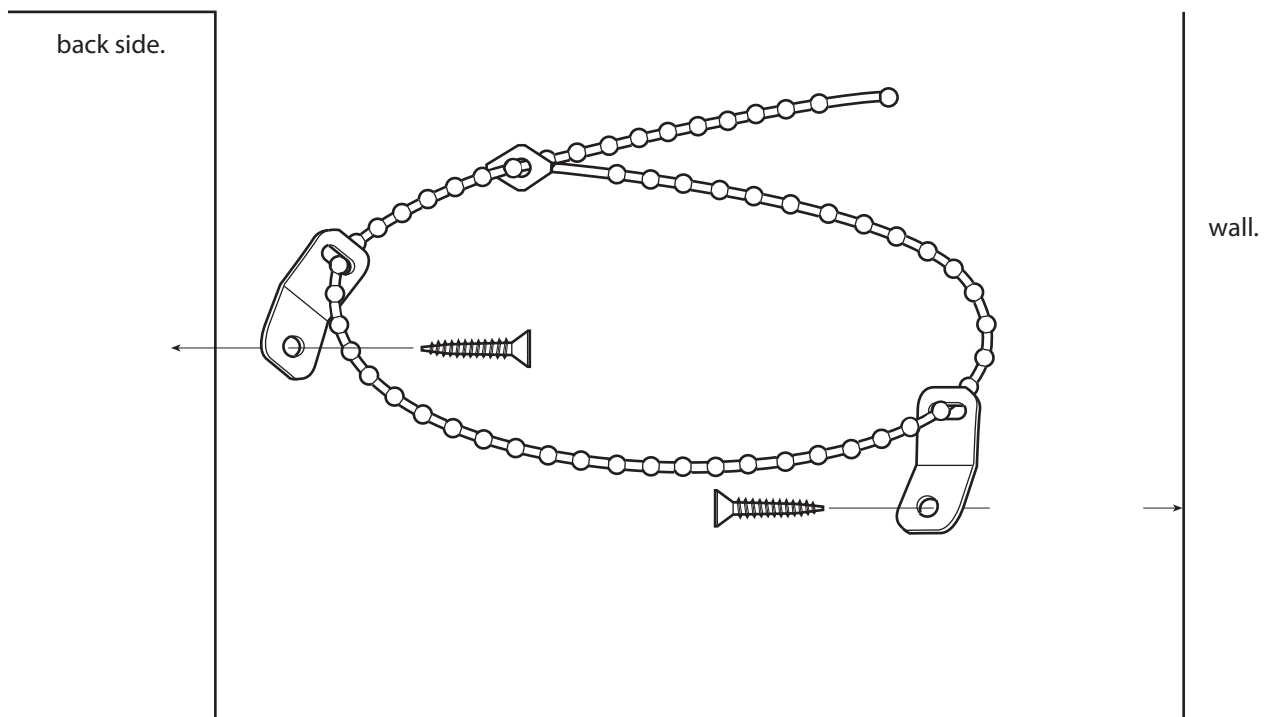
14. Insert drawers into cabinet. Align drawer guides and push drawer firmly into case until it closes all the way into the case. Make sure that you install the top drawer into the top slot and the bottom drawer into the bottom slot. Note the location of the bracket on the side of the drawers. The top drawer bracket is near the bottom of the drawer, the top drawer bracket is near the top of the drawer.

NOTE: Install top drawer first. Make sure that the top arm of the anti tip device is pulled forward towards the front of the case before installing top drawer.



OVER BALANCE. To prevent injury and property damage from unexpected tipping of furniture, we highly recommend installation of the two (2) sets of overbalance protection hardware included with this product

1. Attach the two mounting brackets securely to the back edge of the furniture. Place one on each of the side panels.
2. Determine where the furniture is to be placed and mark location on the wall for the other two mounting bracket screw holes. It should be placed approximately 2" below the bracket mounted to the furniture.
3. Drill a 3/16" hole in the wall. Press the plastic anchor into the hole and gently tap until the flange on the anchor is against the wall surface.
4. Position the bracket over the anchor and use a screw to securely attach the bracket to the wall. Repeat steps 3 and 4 for the second bracket .
5. Place the furniture so the brackets on the back edge is in line with the brackets on the wall.
6. Lace an end of the nylon restraint strap down through each bracket. Bring both ends together and slide the beaded end of the strap through the keyhole shaped slot in the other end until snug. Pull down on the beaded end until it snap locks into the keyhole slot
7. To double lock, return the beaded end back through the keyhole
8. Check to make sure the strap is securely laced and locked to the brackets.
9. Repeat steps 6 through 8 for the second bracket set.



CARE INSTRUCTIONS

Hardware may loosen overtime. Periodically check that all connections are tight.

Wipe with a soft, dry cloth. To protect finish, avoid the use of chemicals and household cleaners.