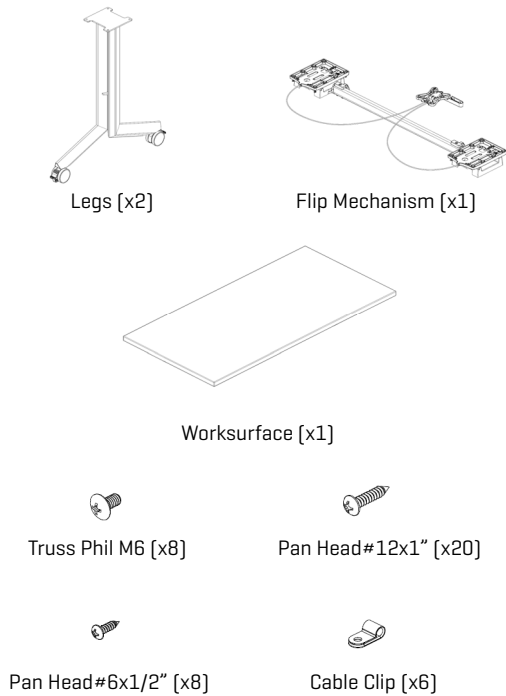


Wake Flip + Nest Assembly Instructions

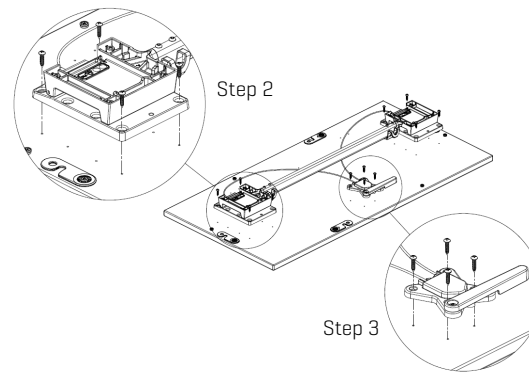
Component List



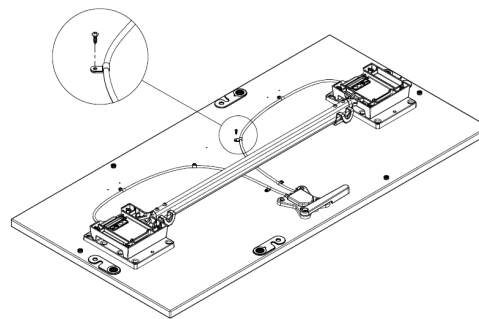
Step 1: Place worksurface bottom side up on a non-marring surface.

Step 2: Align holes on mounting plates with pre-drilled holes on bottom side of worksurface. Fasten each mounting plate to the worksurface using #12 x 1" Phillips Pan Head screws.

Step 3: Align holes on handle base with pre-drilled holes on bottom side of worksurface. Fasten handle base to worksurface with enclosed #12 x 1" Phillips Pan Head screws.

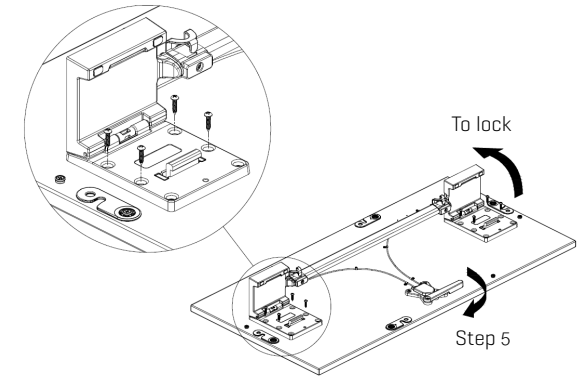


Step 4: Position cable clips evenly along the cable and fasten to bottom side of worksurface with enclosed #6 x 1/2" Phillips Pan Head screws.



Step 5: Use handle assembly to release the mechanisms and lock in the upright position.

Step 6: Critical step Complete installation of Mechanism by fastening each mounting plate to worksurface using enclosed #12 x 1" Phillips Pan Head screws.



Step 7: Use handle assembly to release the mechanisms and return to lowered position. Attach each leg with enclosed M6 Truss Phil screws.

