

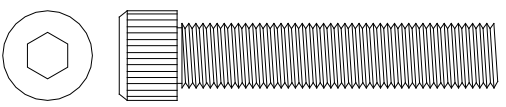
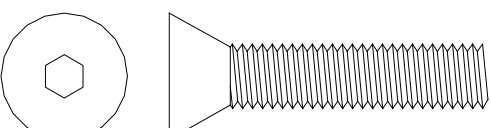
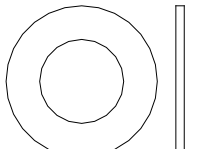
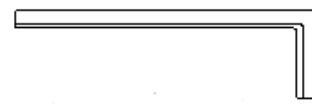

! Tool required:

! Do not throw away packaging material until assembly is complete.

! Assemble this item on a soft surface, such as cardboard or carpet, to protect finish.

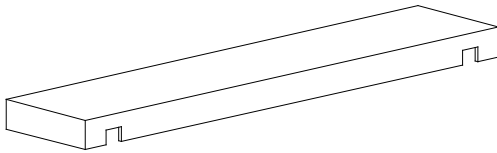
! Proper assembly of this item requires 2 people.

Hardware

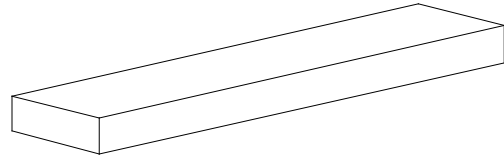
<p>A</p>  <p>bolt 5/16" dia. X 1 3/4" 4x</p>	<p>B</p>  <p>csk bolt 1/4" dia. X 1" 4x</p>
<p>C</p>  <p>flat washer 4x</p>	<p>D</p>  <p>large allen key 1x</p>
<p>E</p>  <p>small allen key 1x</p>	

Parts

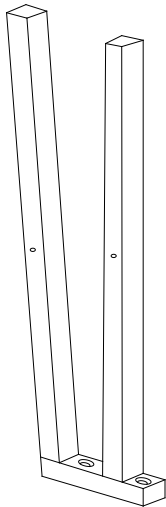
top assembly x1



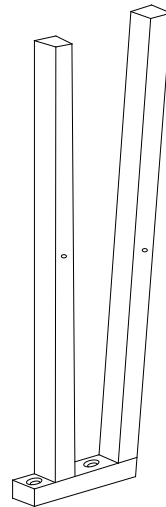
shelf assembly x1



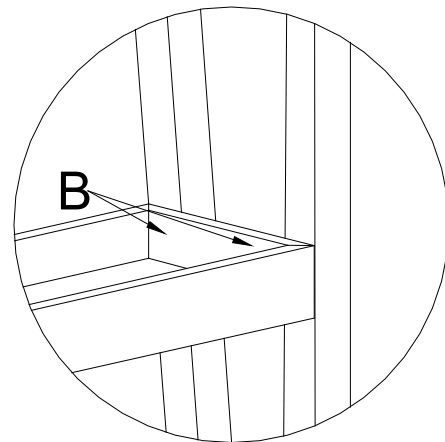
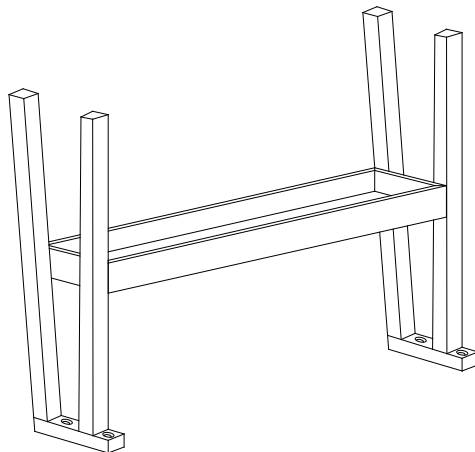
left leg assembly x1



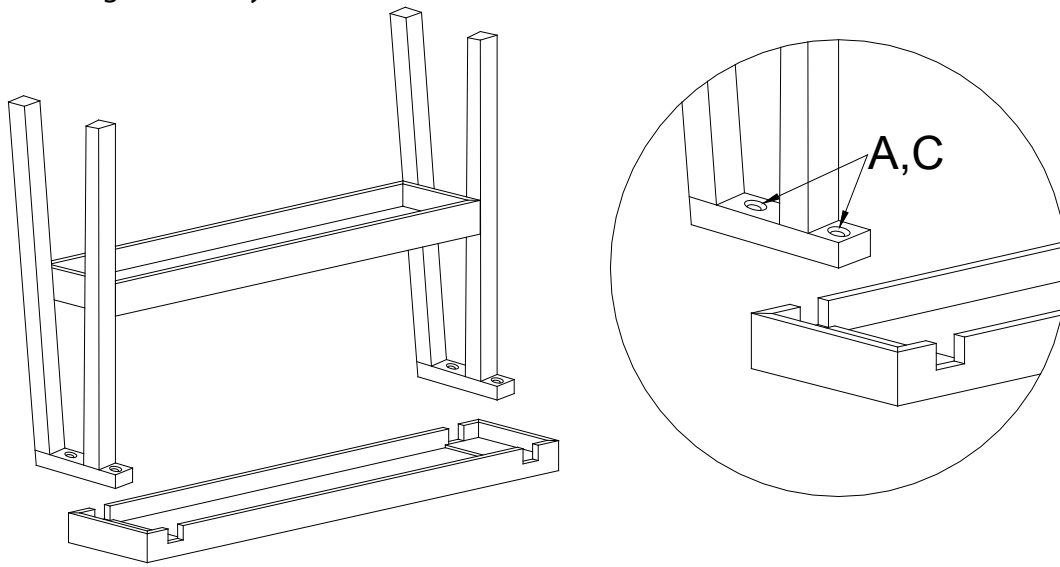
right leg assembly x1



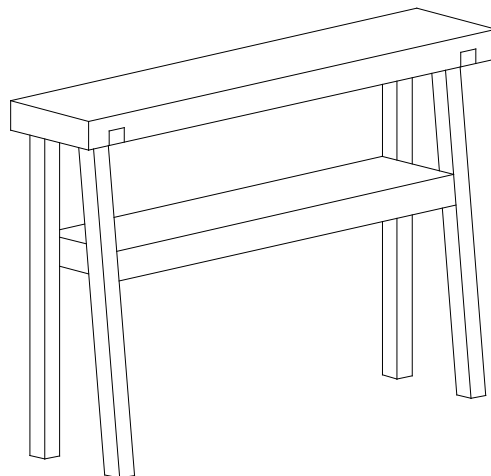
1. Put left and right leg assemblies up side down on a soft flat surface. Attach shelf assembly to the leg assemblies with the csk bolts (B) as shown below. Tighten with small allen key (E).



3. Place the top assembly up side down on a soft flat surface. Take the completed assembly from step 1 and attach it to the top assembly as shown below attaching it with bolts (A) and flat washers (C). Tighten with large allen key (D).



4. Once completed rotate to its upright position.



CARE INSTRUCTIONS

Hardware may loosen over time. Periodically check that all connections are tight.

Wipe with a soft, dry cloth. To protect finish, avoid the use of chemicals and household cleaners.