

Important Safety Instructions:

- These instructions are provided for your safety. It is very important that they are read carefully and completely before beginning the assembly and installation of this lighting fixture.
- LED BULBS ARE NON-REPLACEABLE.
- Unplug the transformer from the power outlet when the product is not in use.
- The lighting fixture is meant for indoor use.
- **Save these instructions.**

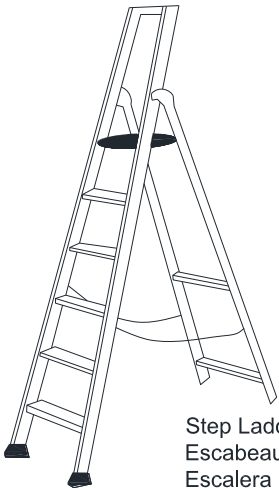
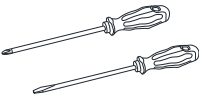
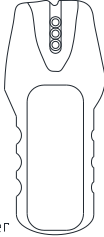
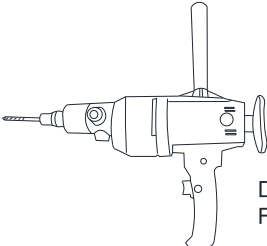
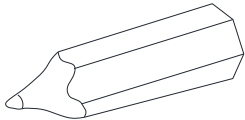
WARNING:

- **Do not touch LED's when fixture is turned on. Do not look directly at lit LED's.**
- **Keep flammable materials away from lit LED's.**

Pre-assembly:

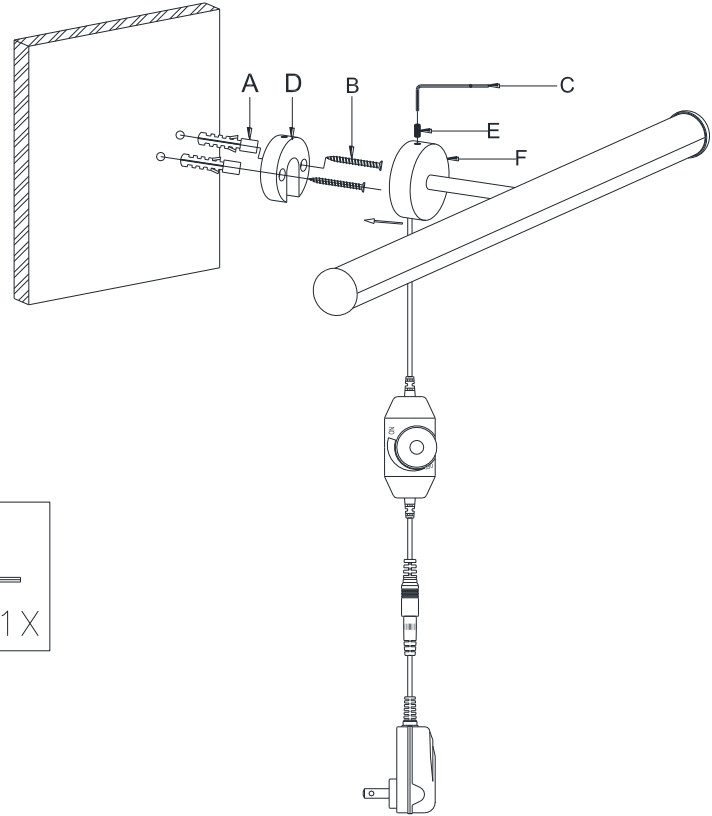
- Remove all parts and hardware from box along with any plastic protective packaging.
- Do not discard any contents until after assembly is complete to avoid accidentally discarding small parts or hardware.
- For your safety and convenience, assembly by two people is recommend

Tools Required: (not included):

 <p>Step Ladder Escabeau Escalera</p>	 <p>Phillips head, Flat Blade Screwdrivers Tournevis à tête Phillips et à tête plate Destornilladores Cabeza Philleps y Destornilladores Cabeza Plana</p>	 <p>Stud Finder</p>
	 <p>Drill and Drill Bit Foret et Perceuse</p>	 <p>Pencil Crayon Lapiz</p>




Parts Included:

- (D) Mounting Plate (1)
- (E) Allen Screw (1)
- (F) Canopy (1)



Hardware Enclosed:

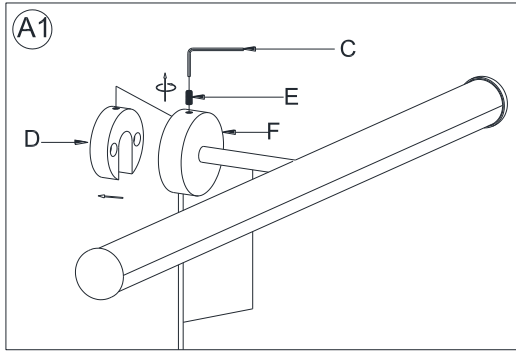
- (A) Wall Anchors (2)
- (B) Wall Screws (2)
- (C) Allen Wrench (1)

A  2X	B  2X	C  1X
--	--	--

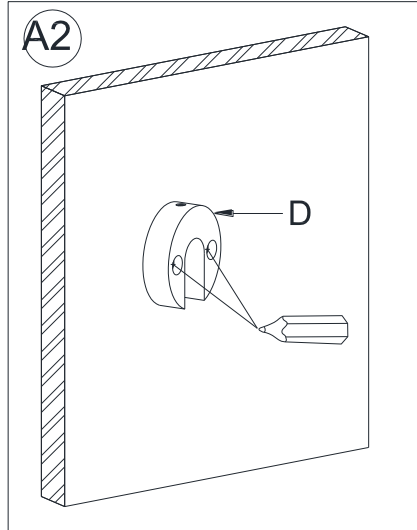
To Assemble:

1. **This mounting hardware is meant for dry wall/stud mounting only.** If walls are concrete, brick or plaster, please consult your local hardware store for assistance. For safety and ease of mounting, installation is recommended using two people.
2. Use a stud finder to locate a stud in desired wall location. If Mounting Plate (D) aligns with stud, only use provided Wall Screws (B). If there is no stud, the Wall Anchors (A) and Wall Screws (B) are both required.
3. **For Drywall Mounting:** Assemble and install the Wall Anchors (A) and Wall Screws (B) using the steps as outlined in Section **“FOR DRYWALL MOUNTING”** below.
4. **For Mounting to Joist:** Assemble and install the Wall Screws (B) using the steps as outlined in Section **“FOR MOUNTING TO JOIST”** below.
5. After properly assemble the Wall Screws (B) and Wall Anchors (A) onto the wall, install the lighting fixture onto the wall using the steps as outlined in Section **“Install the Light Fixture onto the Wall”**

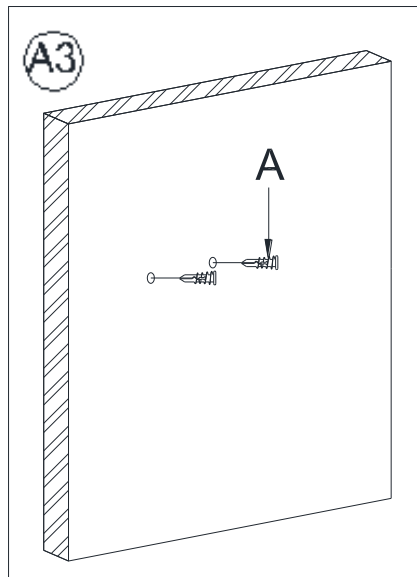
For Drywall Mounting



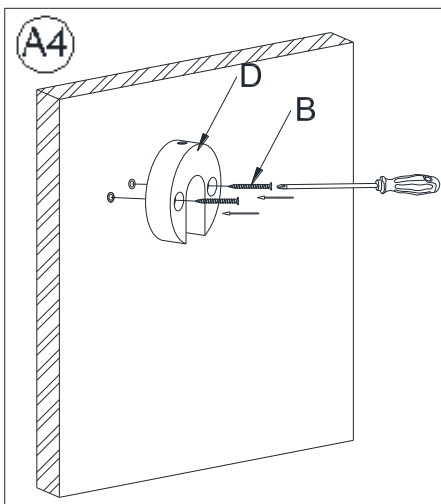
1. Separate the Mounting Plate (D) from the Canopy (F) by removing the Allen Screw (E). Do not discard the Allen Screw (E) as these will be used later.



2. Position the Mounting Plate (D) **against the wall** and using a pencil to make 2 insertion markings **on the wall** through the **2 holes** of the Mounting Plate (D).

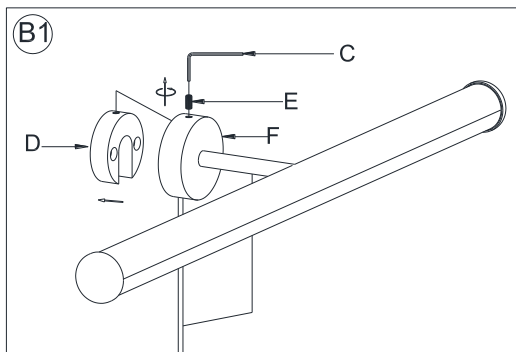


3. Use a Phillips Screwdriver to insert the Wall Anchors (A) at the marked keyhole locations. Do not "push" or drive the Wall Anchors (A) into the wall, it is designed to bore into the wall like a drill bit. Slowly turn the Wall Anchors (A) clockwise while applying pressure until the flange just touches the wall.

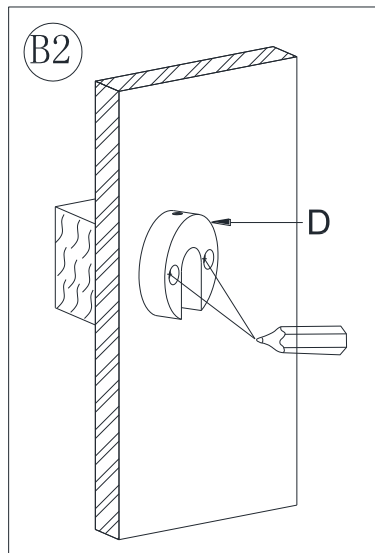


4. Attach the Mounting Plate (D) onto the **wall** aligning the **2 holes** with the **2 installed** Wall Anchors (A). Insert the 2 Wall Screws (B) with a screwdriver and rotating clockwise to secure the Mounting Plate (D) in place.

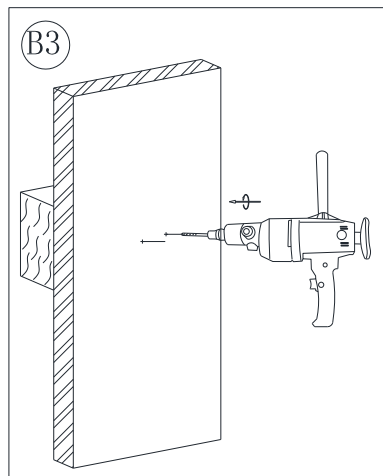
For Mounting to Joist



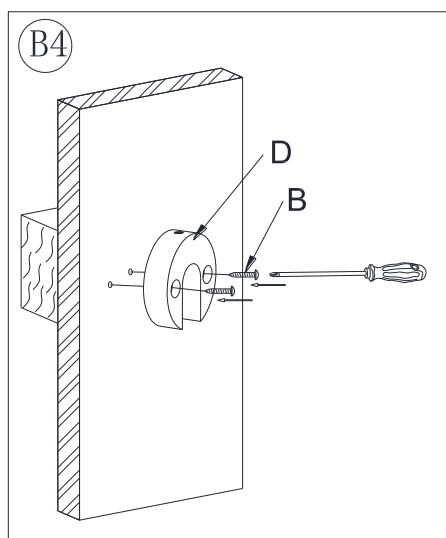
1. Separate the Mounting Plate (D) from the Canopy (F) by removing the Allen Screw (E). Do not discard the Allen Screw (E) as these will be used later.



2. Position the Mounting Plate (D) against the wall and using a pencil to make 2 insertion markings on the wall through the 2 holes of the Mounting Plate (D).

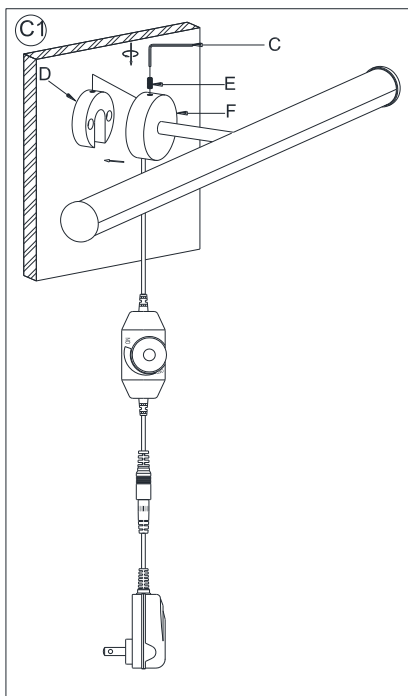


3. Pre-drill pilot holes at the marked locations. This will make installing the Wall Screws (B) into the wall easier.



1. Attach the Mounting Plate (D) onto the wall aligning the 2 holes with the two drilled pilot holes. Insert the 2 Wall Screws (B) with a screwdriver and rotating clockwise to secure the Mounting Plate (D) in place.

Install the Light Fixture onto the Wall



1. Position the Canopy (F) over the Mounting Plate (D), aligning the hole on the Canopy (F) with the hole on the Mounting Plate (D). Secure the Canopy (F) by tightening the Allen Screw (E) with the Allen Wrench (C).

Care Instructions:

- Wipe clean with a soft, dry cloth or static duster.
- Always avoid the use of harsh chemicals or abrasive cleaners as they may cause damage to the fixture's finishing.

FCC COMPLIANCE:

NOTE: This equipment has been tested and found to comply with the limits for a Class B digital device, pursuant to Part 15 of the FCC Rules. These limits are designed to provide reasonable protection against harmful interference in a residential installation. This equipment generates uses and can radiate radio frequency energy and, if not installed and used in accordance with the instructions, may cause harmful interference to radio communications. However, there is no guarantee that interference will not occur in a particular installation. If this equipment does cause harmful interference to radio or television reception, which can be determined by turning the equipment off and on, the user is encouraged to try to correct the interference by one or more of the following measures:

- Reorient or relocate the receiving antenna.
- Increase the separation between the equipment and receiver.
- Connect the equipment into an outlet on a circuit different from that to which the receiver is connected.
- Consult the dealer or an experienced radio/TV technician for help.

This device complies with Part 15 of the FCC Rules. Operation is subject to the following two conditions: (1) This device may not cause harmful interference, and (2) This device must accept any interference received, including interference that may cause undesired operation. Caution: changes or modifications not expressly approved by the party responsible for compliance could void the user's authority to operate the equipment.

IC COMPLIANCE:

This Class B digital apparatus complies with CAN ICES-005 (B) / NMB-005 (B).

Thank you for your purchase
Stores | catalog | www.westelm.com
USA 888-922-4119