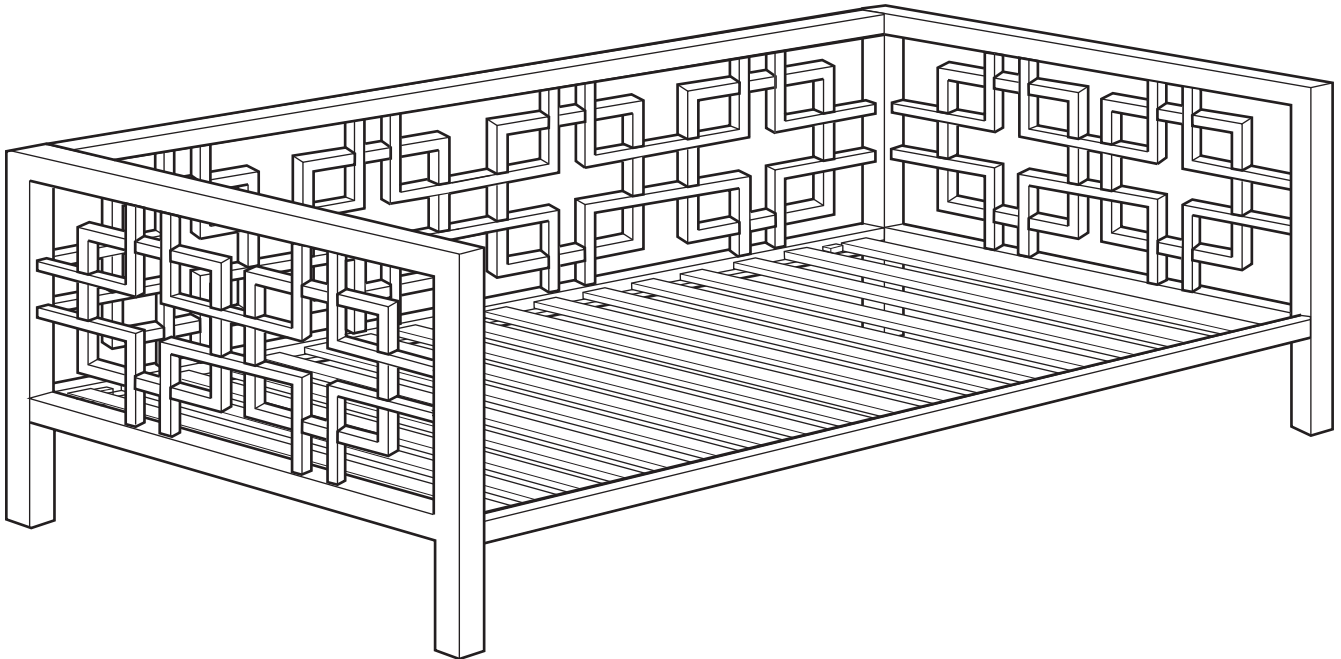


west elm : overlapping squares daybed

assembly instructions



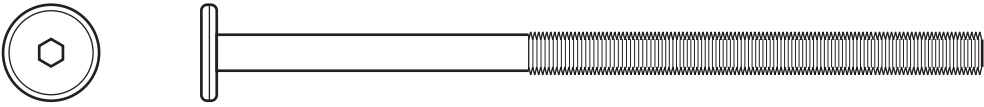

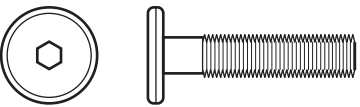

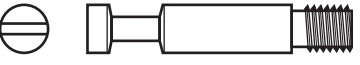
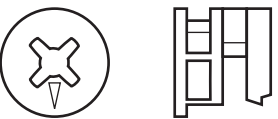

! Tools required:



! Do not throw away packaging materials until assembly is complete.

! Assemble this item on a soft surface, such as cardboard or carpet, to protect the finish.

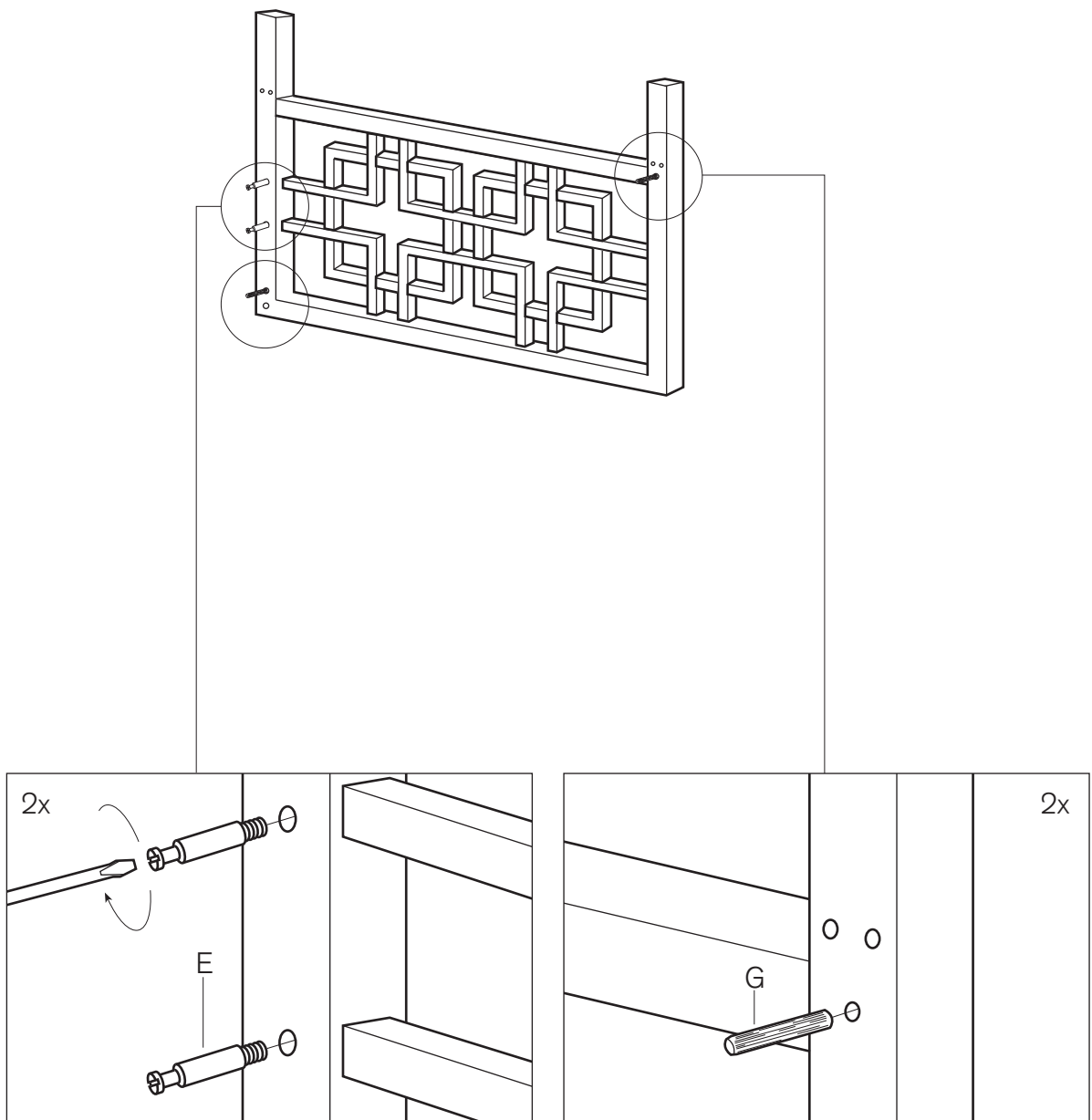
! Proper assembly of this item requires 2 people.

A  bolt: 1/4" dia x 4" 2x		
B  barrel nut 2x	C  bolt: 3/8" dia x 1" 8x	D  allen key 1x
E  cam 4x	F  cam lock 4x	G  wooden dowel 4x

west elm : overlapping squares daybed

assembly instructions

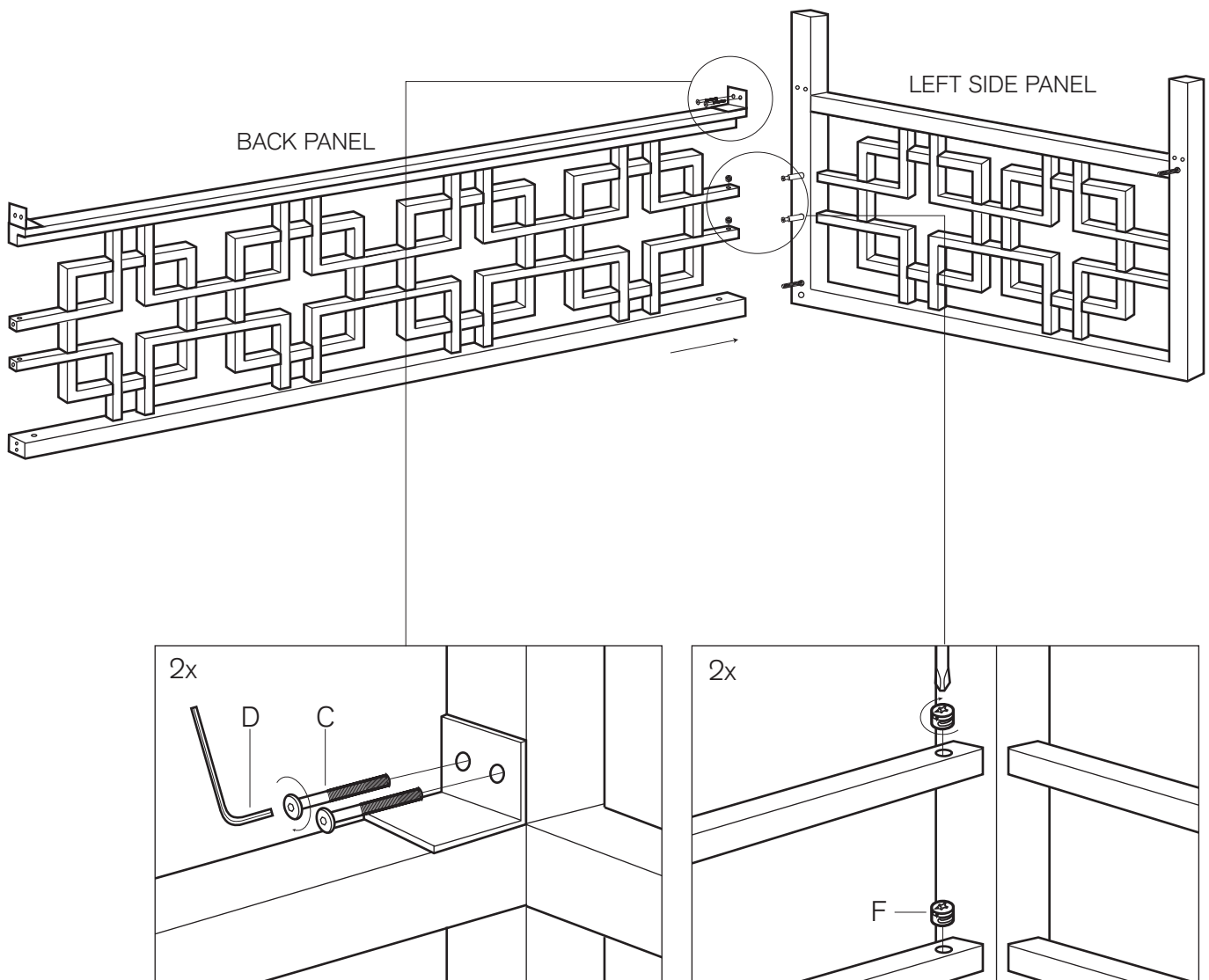
1. Turn left side panel upside down.
2. Insert wooden dowels (G) into the pre-drilled holes in side panel as shown.
3. Screw cams (E) into holes on side panel as shown. Tighten with a flat head screwdriver.



west elm : overlapping squares daybed

assembly instructions

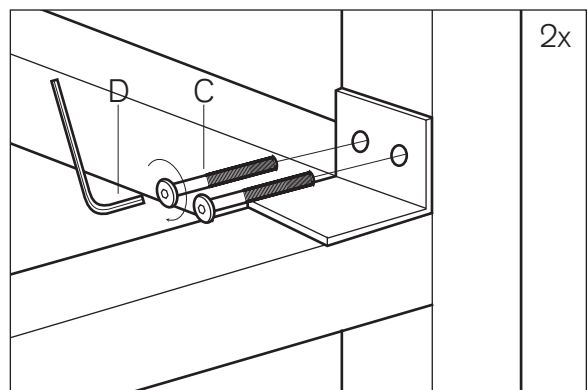
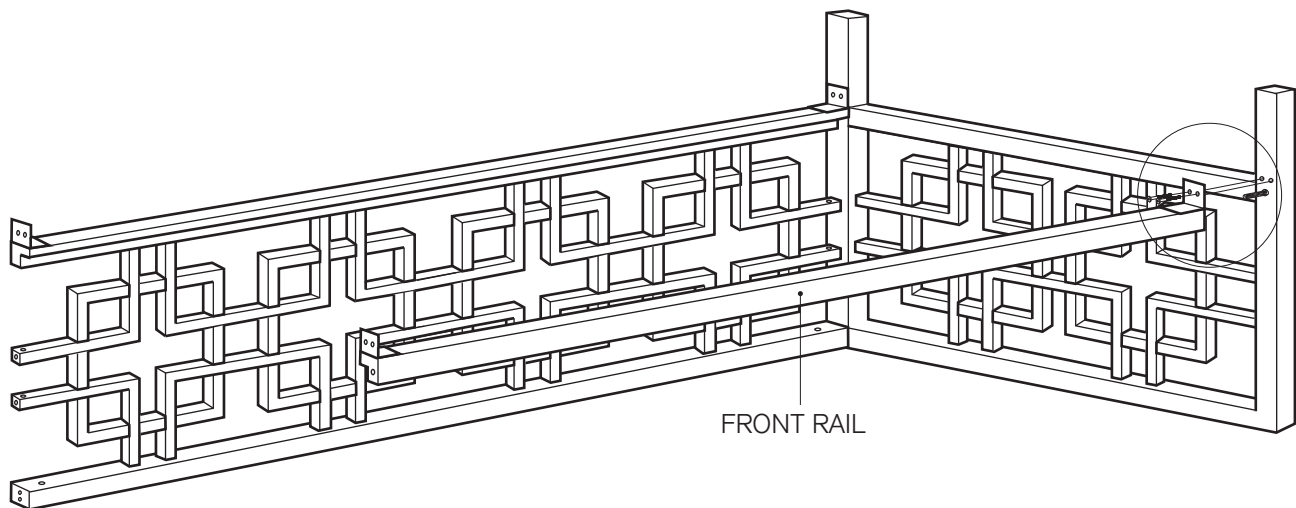
4. Turn back panel upside down as shown.
5. Align dowel and cams on side panel with holes on side of back panel. Attach back panel by inserting bolts (C) into pre-drilled holes in metal bracket. Tighten with allen key (D).
6. Insert cam locks (F) into holes as shown. Tighten with a philip's head screwdriver.



west elm : overlapping squares daybed

assembly instructions

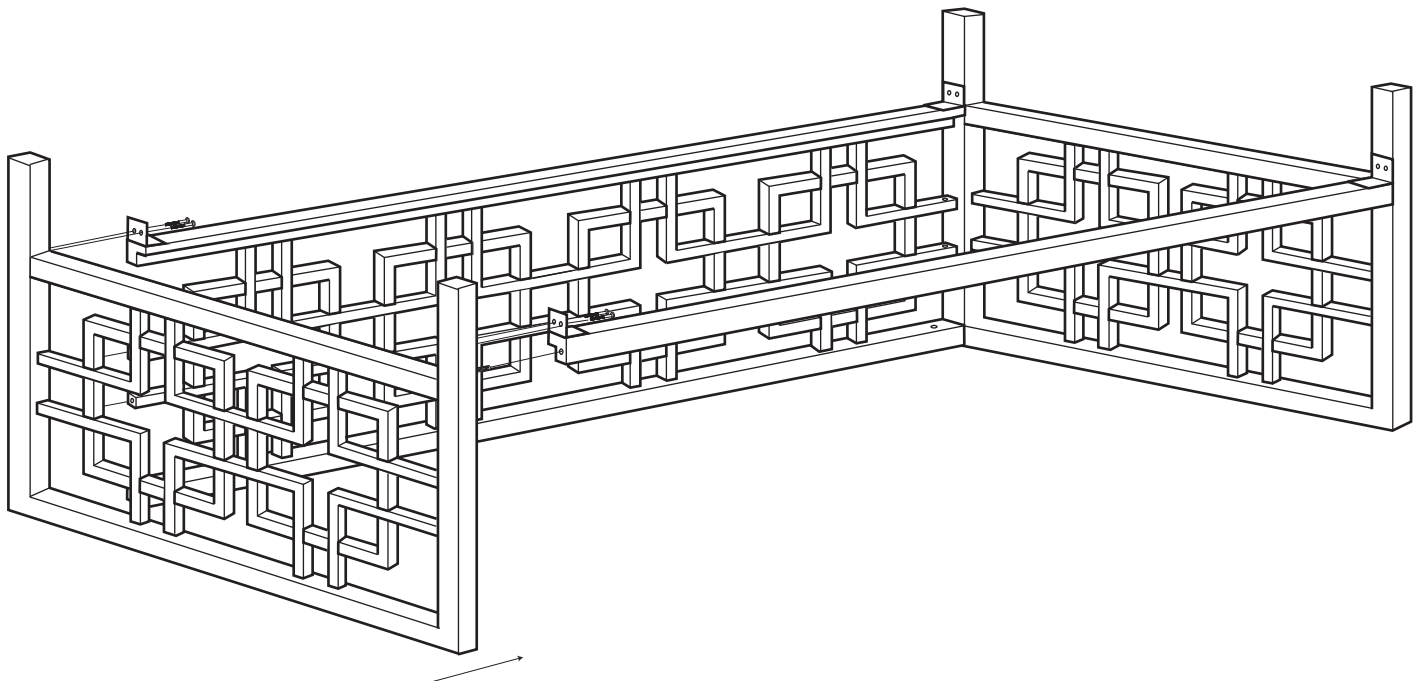
7. Turn front rail upside down as shown.
8. Align dowel on side panel with hole on side of front rail. Attach front rail by inserting bolts (C) into pre-drilled holes in metal bracket. Tighten with allen key (D).



west elm : overlapping squares daybed

assembly instructions

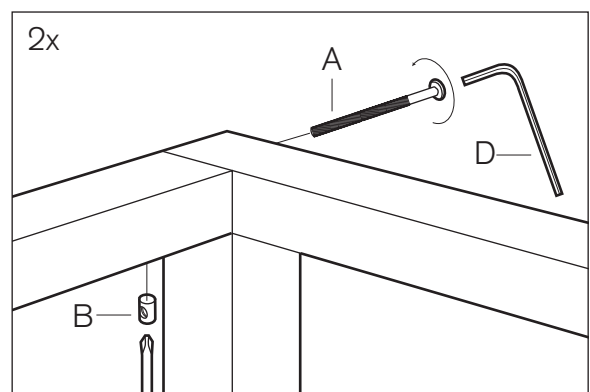
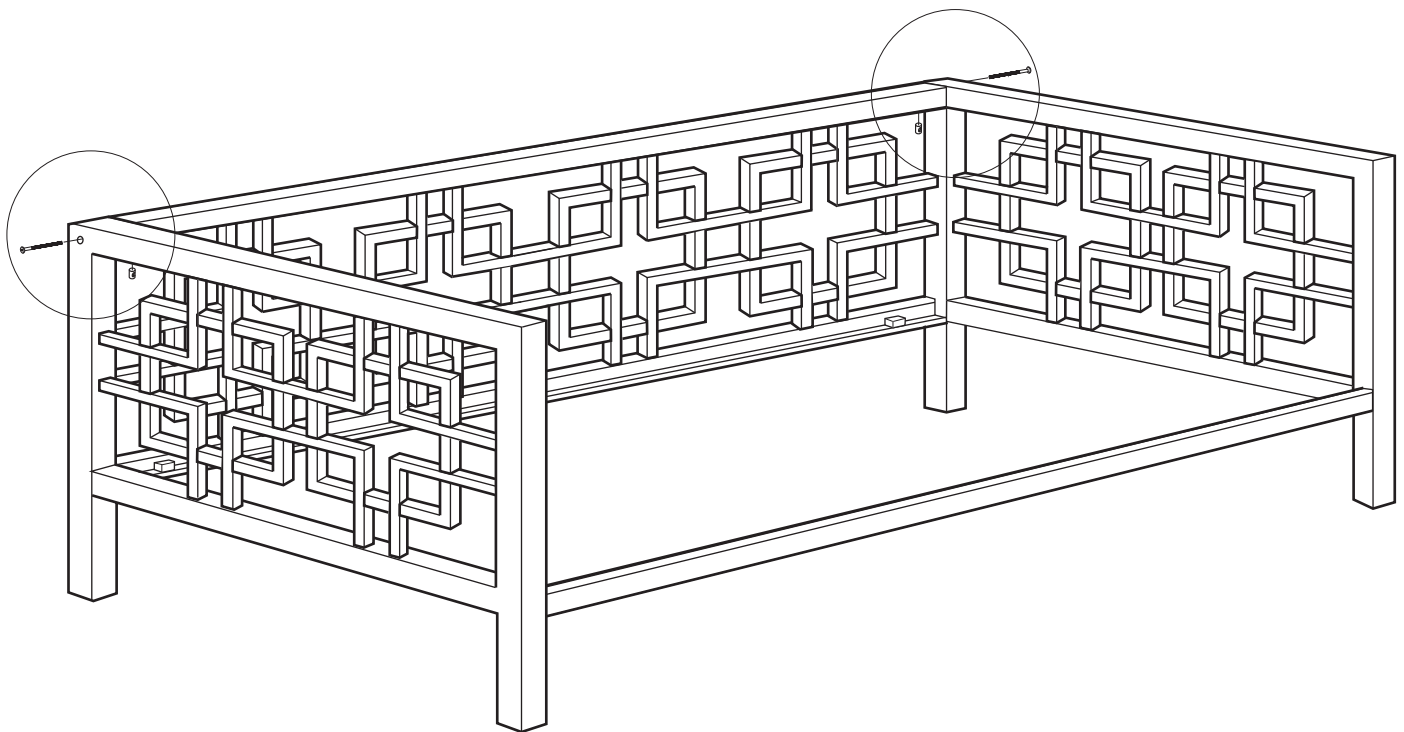
9. Attach right side panel repeating steps 2 through 8.



west elm : overlapping squares daybed

assembly instructions

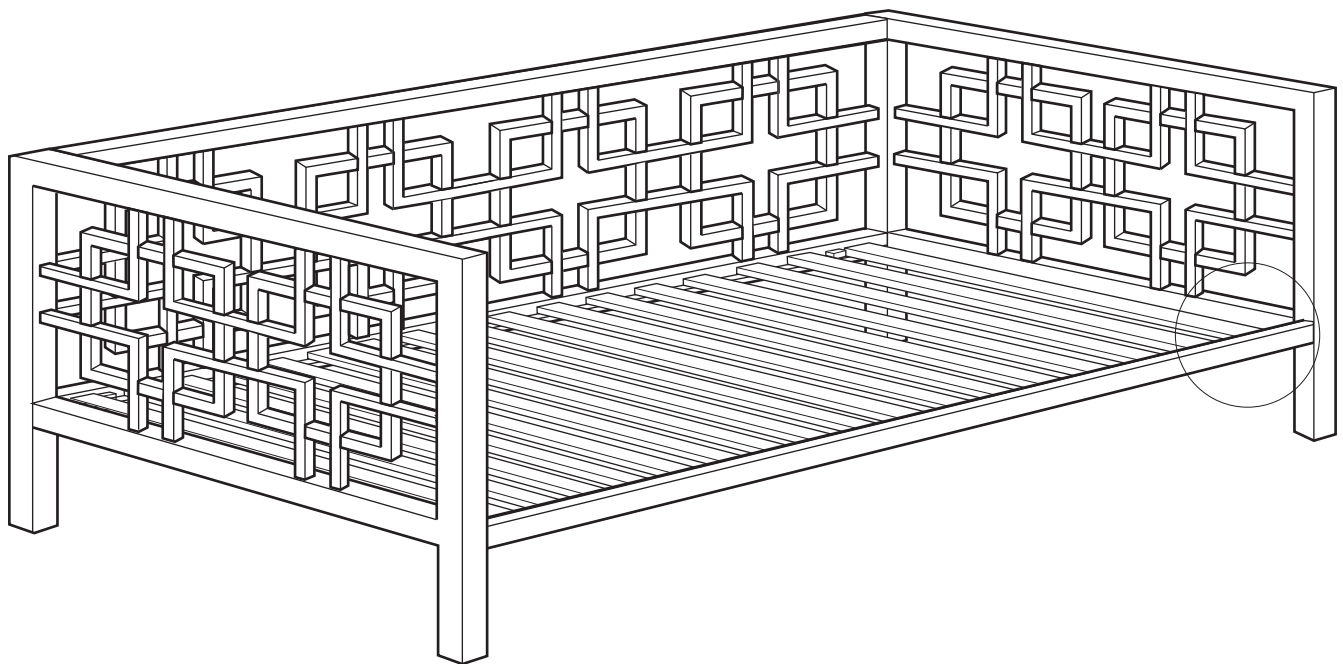
10. With two people, carefully turn daybed upright.
11. Insert barrel nuts (B) into holes on bottom of top rail as shown. Hole in nut should be aligned with bolt hole. Insert bolts (A) into holes on side panels. Use a screwdriver to hold barrel nut in place. Tighten bolts into barrel nuts with allen key (D).



west elm : overlapping squares daybed

assembly instructions

12. Place bed slats on ledge on front rail and back panel. Stoppers on ledge hold last slats in place.



CARE INSTRUCTIONS:

Hardware may loosen over time. Periodically check that all connections are tight.

Wipe with a soft, dry cloth. To protect the finish, avoid the use of all chemicals and household cleaners.

