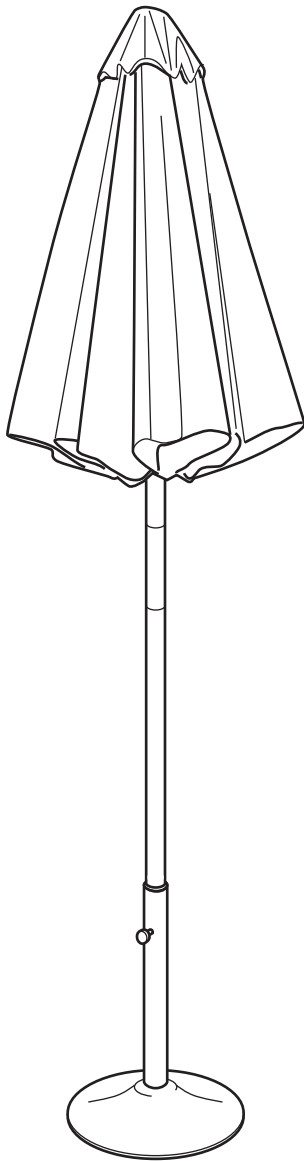
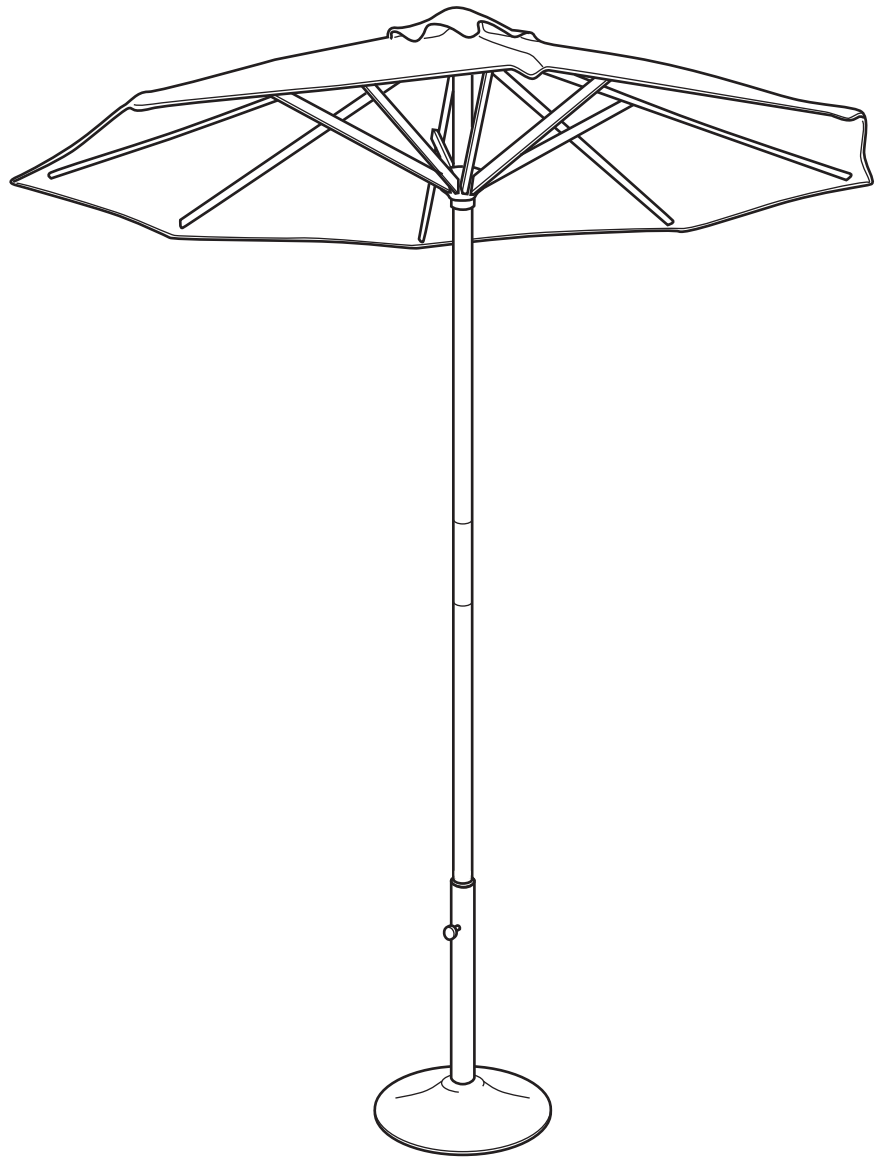


west elm : umbrella

assembly instructions



closed



open

* Base sold separately.

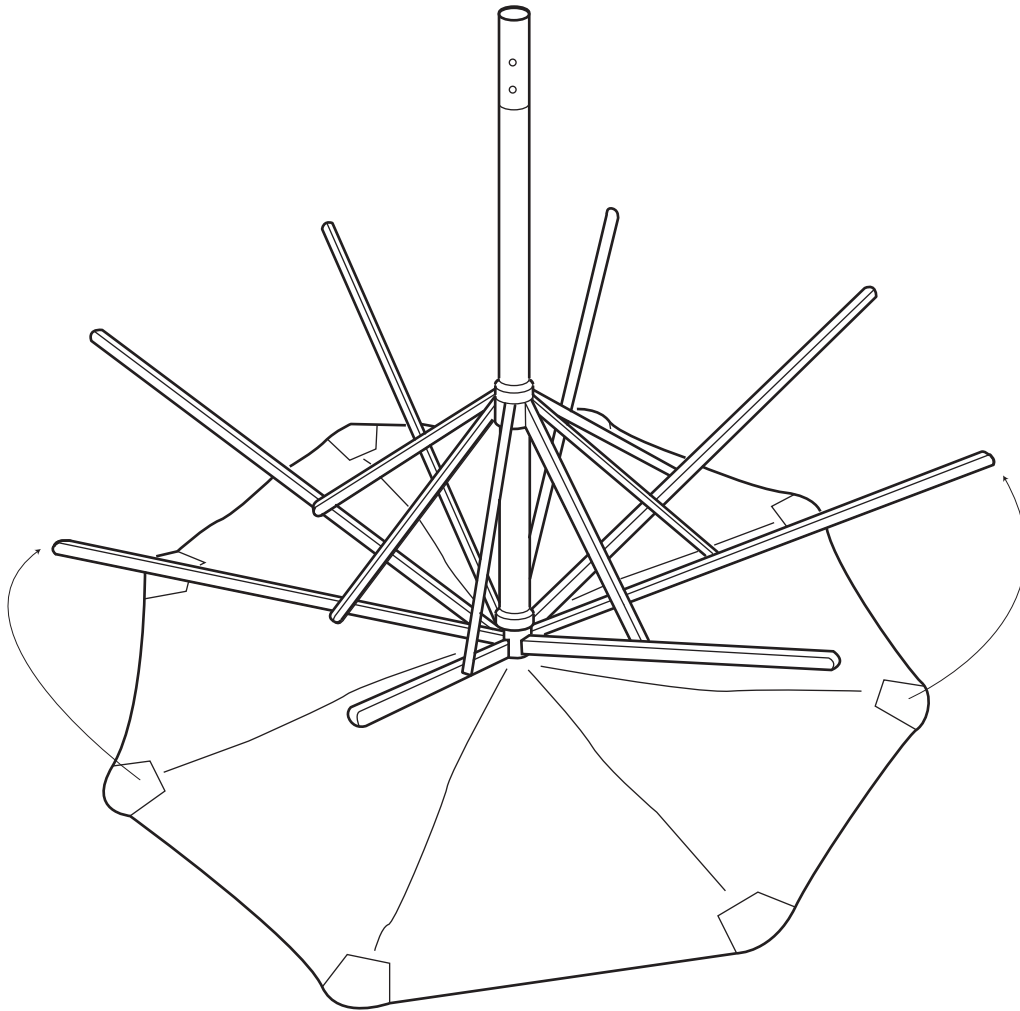
! Do not throw away packaging materials until assembly is complete.

! Assemble this item on a soft surface, such as cardboard or carpet, to protect the finish.

west elm : umbrella

assembly instructions

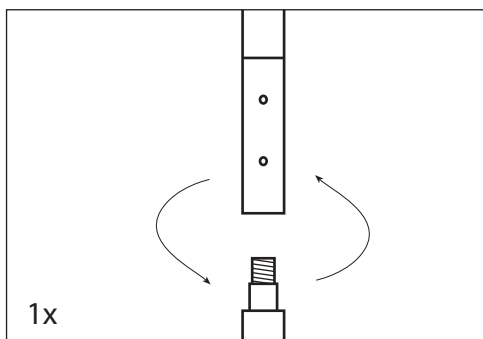
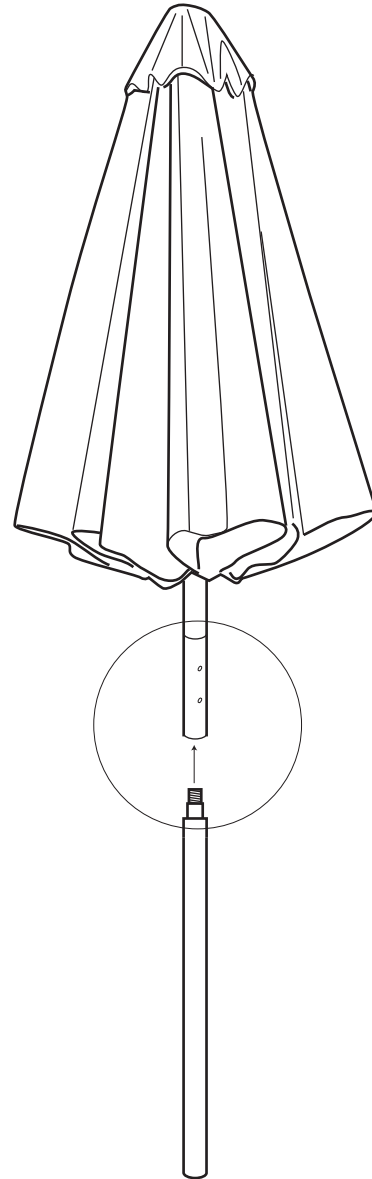
1. Carefully turn canvas top and umbrella pole upside down as shown.
2. Tuck umbrella spokes into pockets in canvas top.



west elm : umbrella

assembly instructions

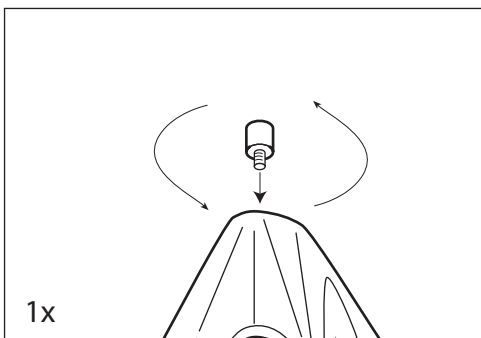
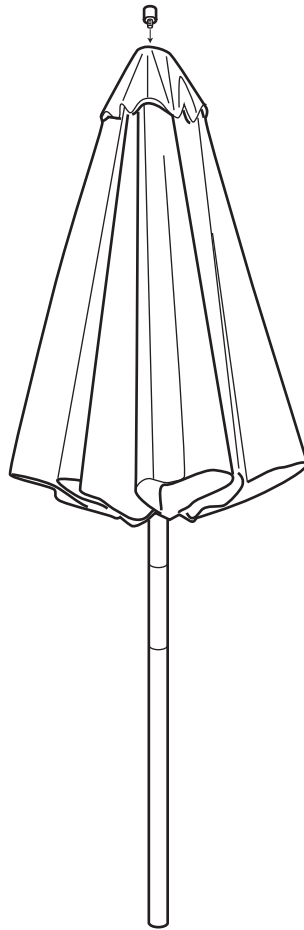
3. Insert lower pole into umbrella pole and turn until tightened.



west elm : umbrella

assembly instructions

4. Screw finial to top of umbrella as shown.

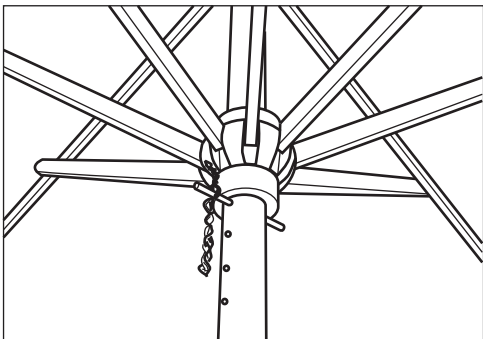
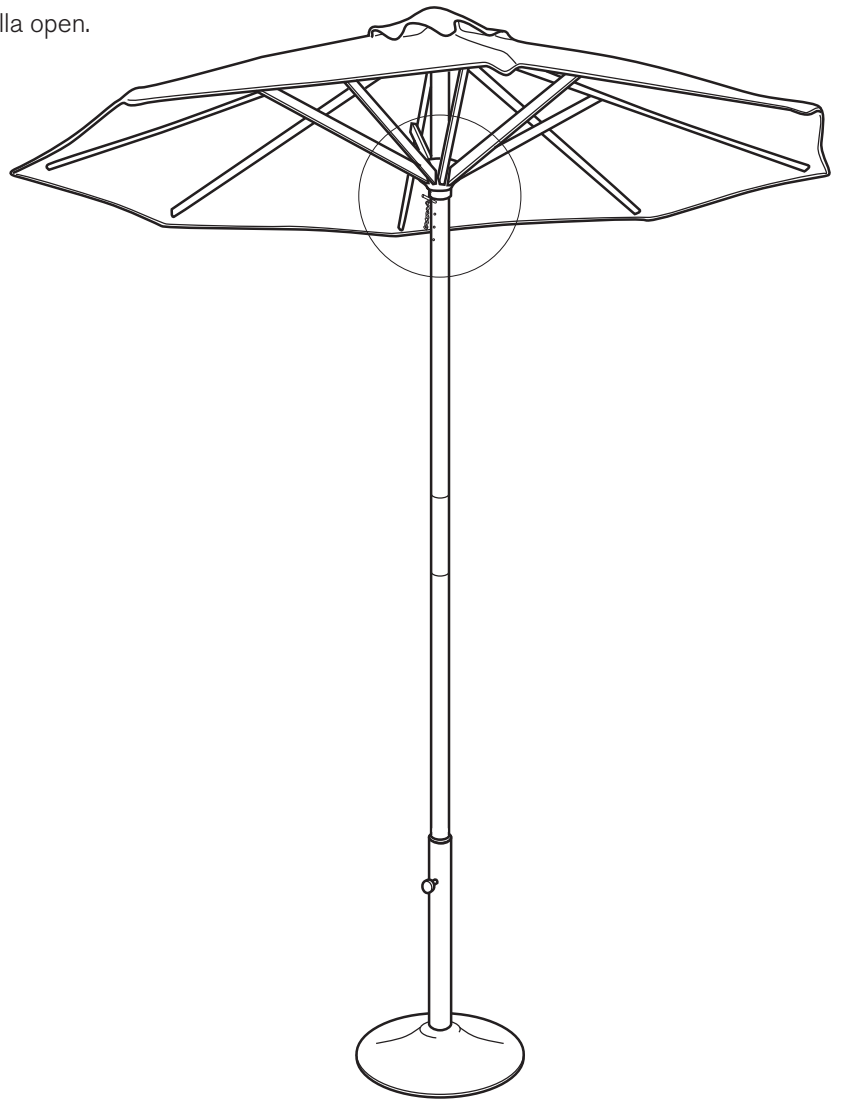


west elm : umbrella

assembly instructions

5. Push to open the umbrella.

6. Insert pin fully into the hole to hold the umbrella open.



CARE INSTRUCTION

Always use an umbrella stand. Close umbrella in strong winds. Close umbrella when not in use. When not in use, store in a dry location.

To clean umbrella: Brush to remove dirt and rust. For spot cleaning, sponge lightly with a solution of mild soap and warm water.

To clean pole: Wipe with a soft, dry cloth. To protect the finish, avoid the use of all chemicals and household cleaners