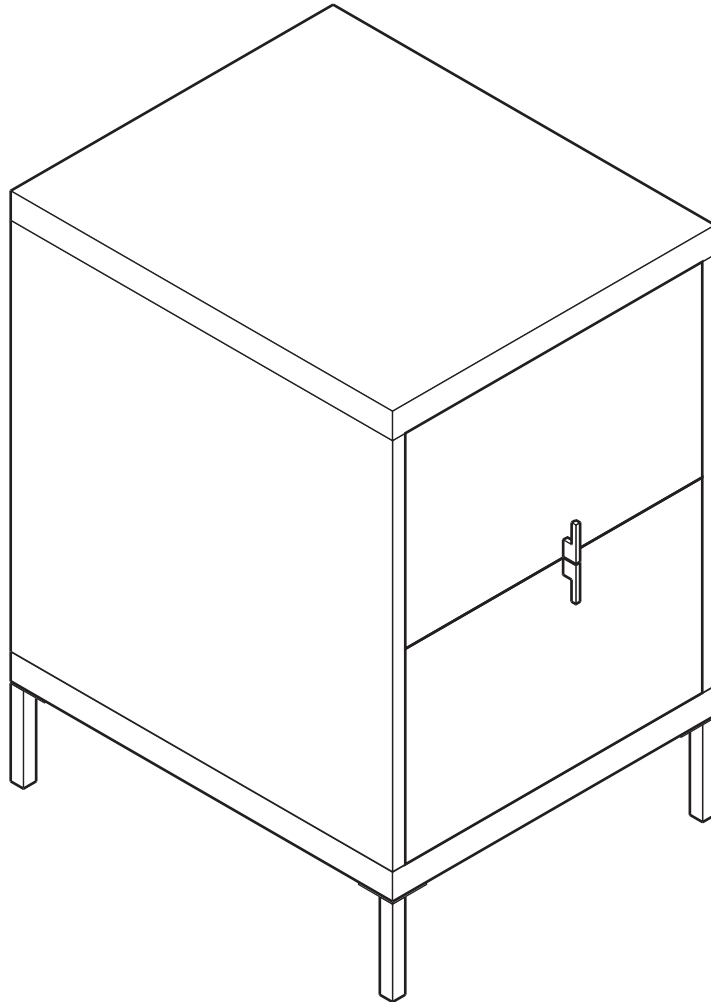


west elm : metal leg file cabinet

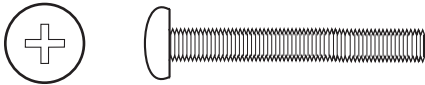

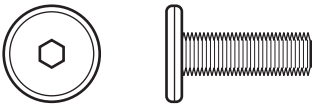
assembly instructions



! Tools required: 

! Do not throw away packaging materials until assembly is complete.

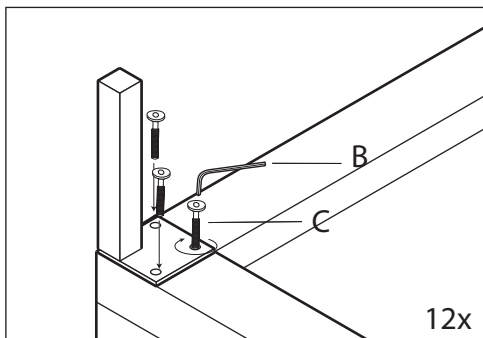
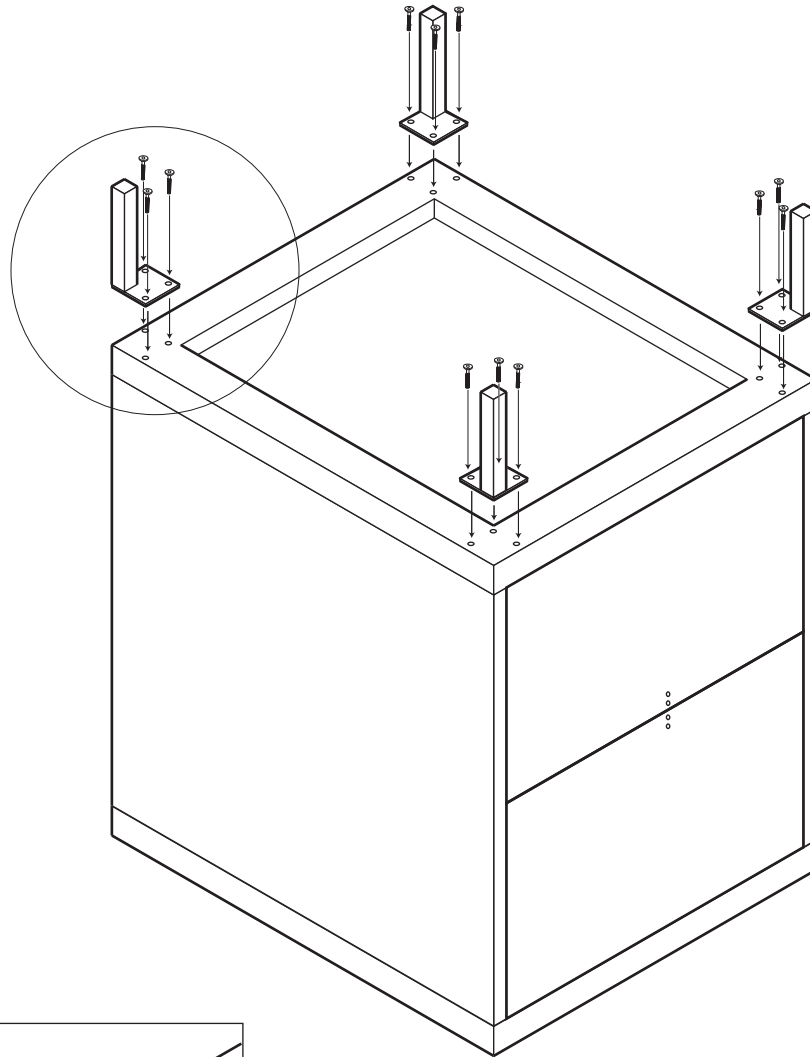
! Assemble this item on a soft surface, such as cardboard or carpet, to protect the finish.

<p>A</p>  <p>screw: 5/32" dia x 1" 2x</p>	<p>B</p>  <p>allen key 1x</p>
<p>C</p>  <p>bolt: 1/4" dia x 3/4" 12x</p>	

west elm : metal leg file cabinet

assembly instructions

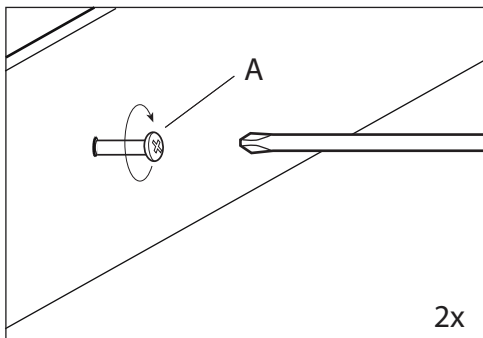
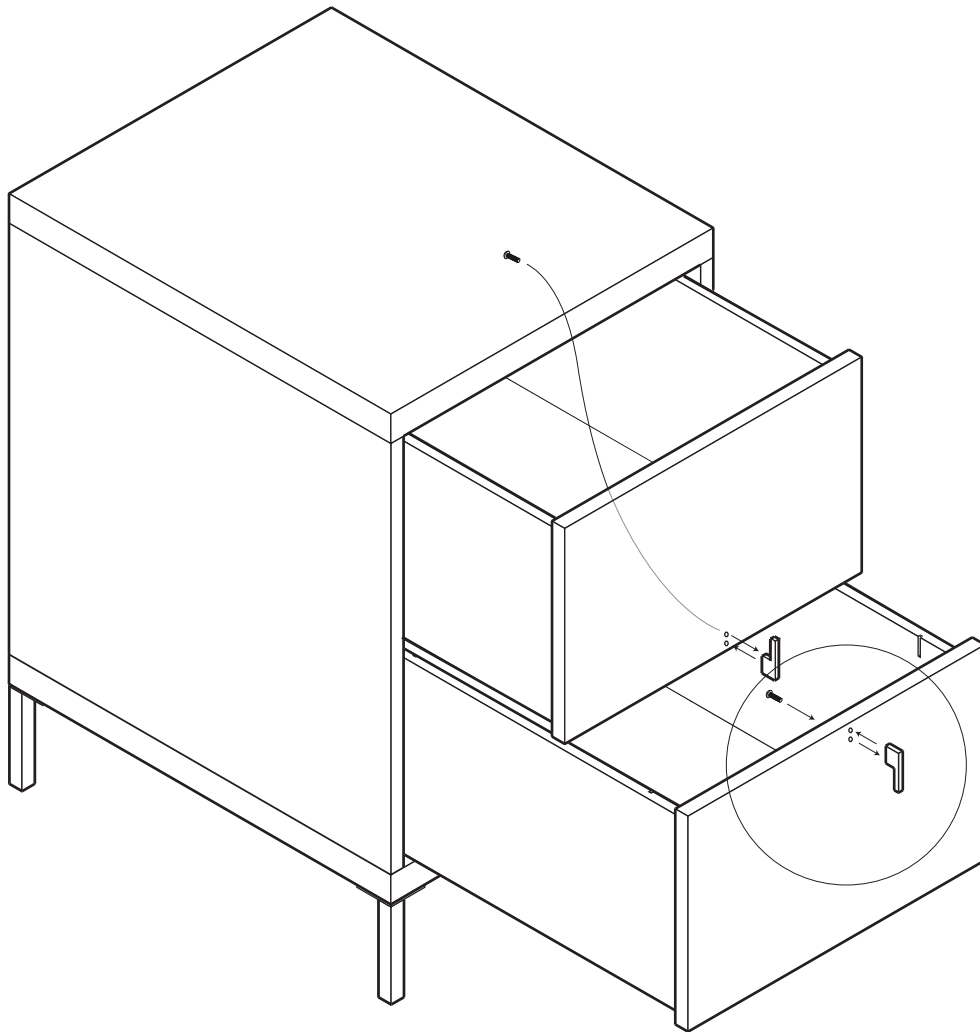
1. Carefully place the cabinet upside down on a soft surface. Align legs with pre-drilled holes in cabinet bottom as shown. Insert bolt (C) through holes in leg mounting plates, into pre-drilled holes in cabinet bottom, and tighten using allen key (B).



west elm : metal leg file cabinet

assembly instructions

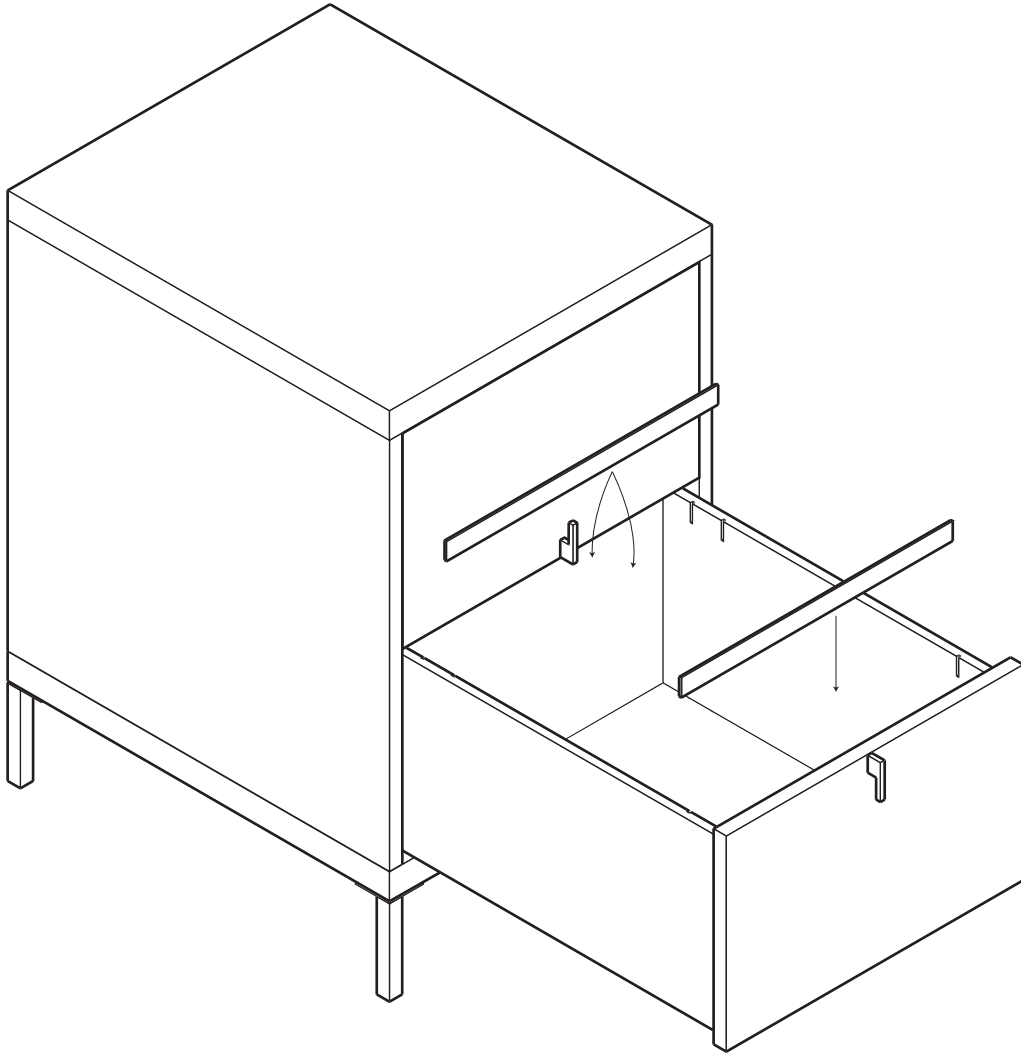
2. Align back-side of handles with pre-drilled holes in drawers as shown. Insert screw (A) through pre-drilled hole in back-side of drawer and into handle. Tighten with philips head screwdriver.



west elm : metal leg file cabinet

assembly instructions

3. [OPTIONAL] Insert front file folder support in the pre-cut slot in drawer as shown. Depending on the width of the file folders you plan on using, insert second file folder support in one of the two pairs of rear slots as shown.



CARE INSTRUCTION

Hardware may loosen over time. Periodically check that all connections are tight.

Wipe with a soft, dry cloth. To protect finish, avoid the use of chemicals and household cleaners.