

! Tools required: 

! Do not throw away packaging materials until assembly is complete.

! Assemble this item on a soft surface, such as cardboard or carpet, to protect finish.

! Proper assembly of this item requires 2 people.

## Hardware

A



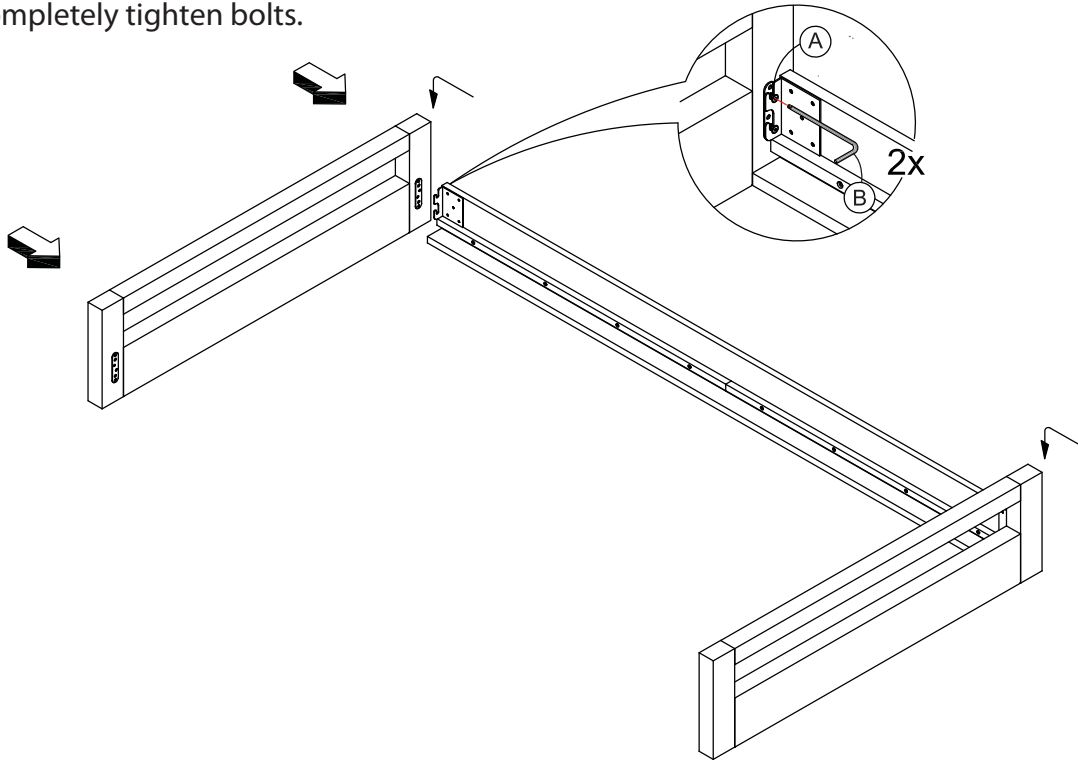
bolt m8 x 16mm 8x

B

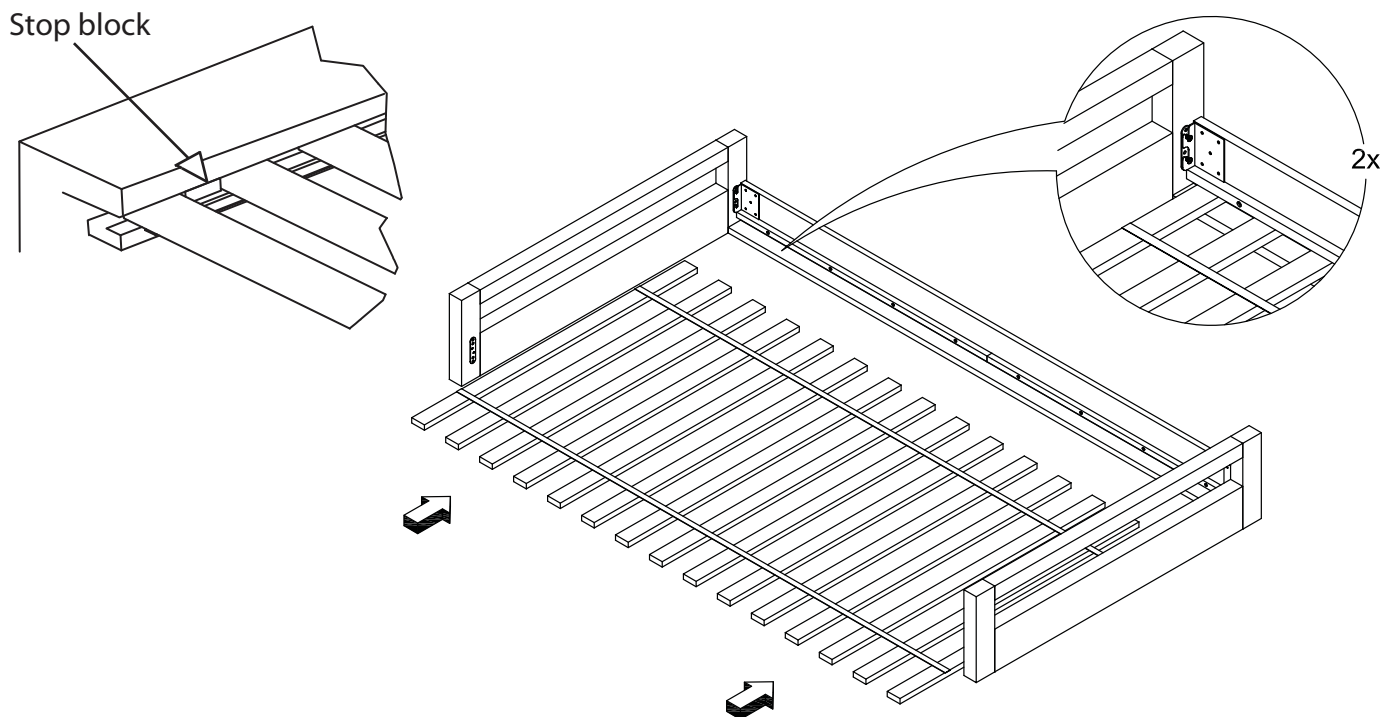


allen key m5 x 110mm 1x

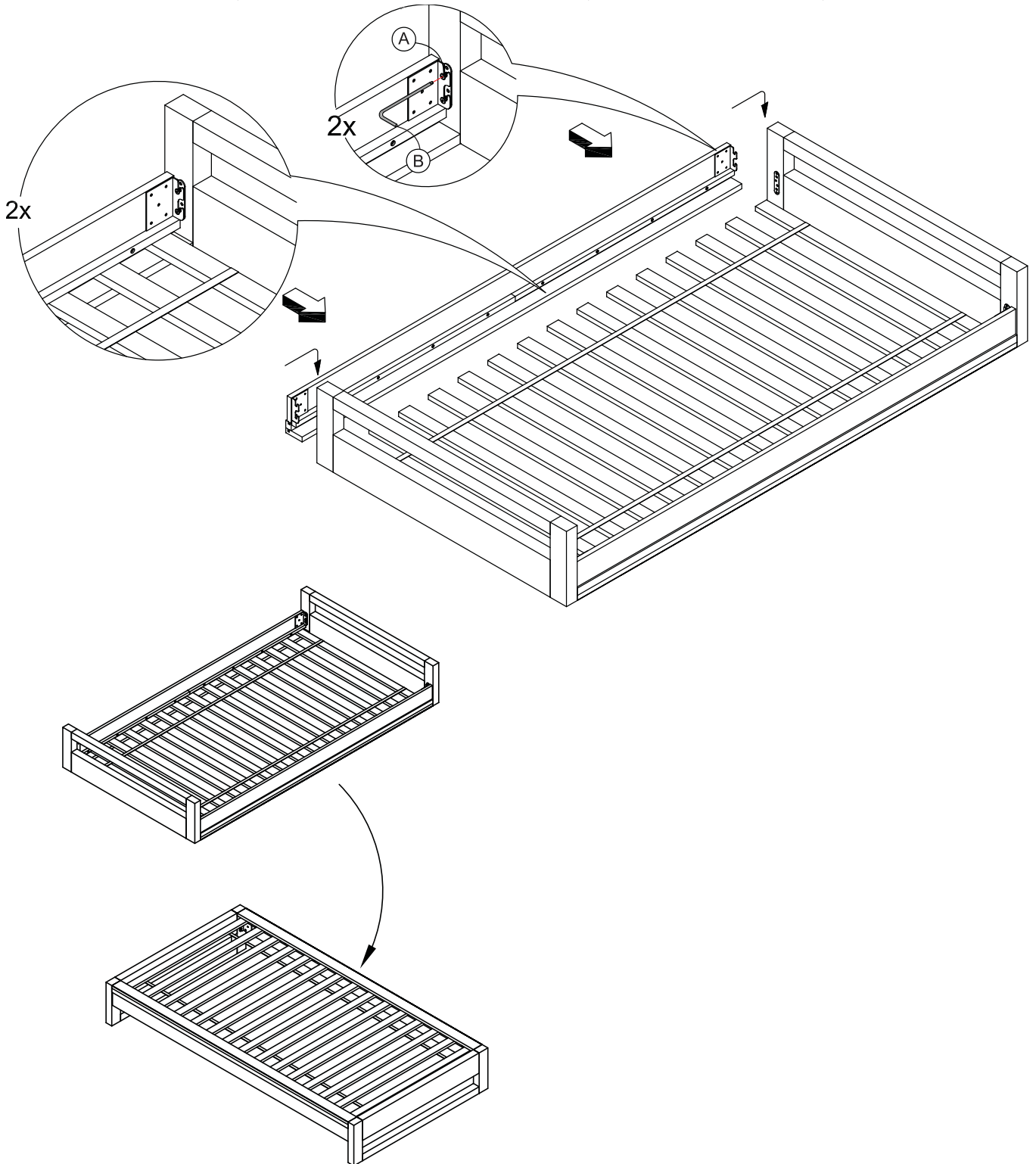
1. Place the headboard and footboard upside down on a clean smooth surface.
2. Place one of the side rails in between the headboard and footboard as shown in illustration. Insert bolt (A) into the headboard and footboard brackets and screw halfway using allen key (B). Do not completely tighten bolts.



3. Carefully set slats into frame as shown. Making sure the last slat is on the outside of the stop block.



4. Repeat steps 2 and 3. Fully tighten all bolts (A) using allen key (B). With help ,carefully flip bed over.



CARE INSTRUCTIONS

Hardware may loosen overtime. Periodically check that all connections are tight.  
Wipe with a soft, dry cloth. To protect finish, avoid the use of chemicals and household cleaners.