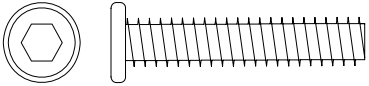
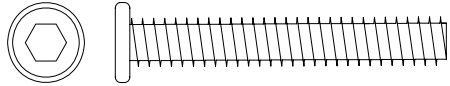


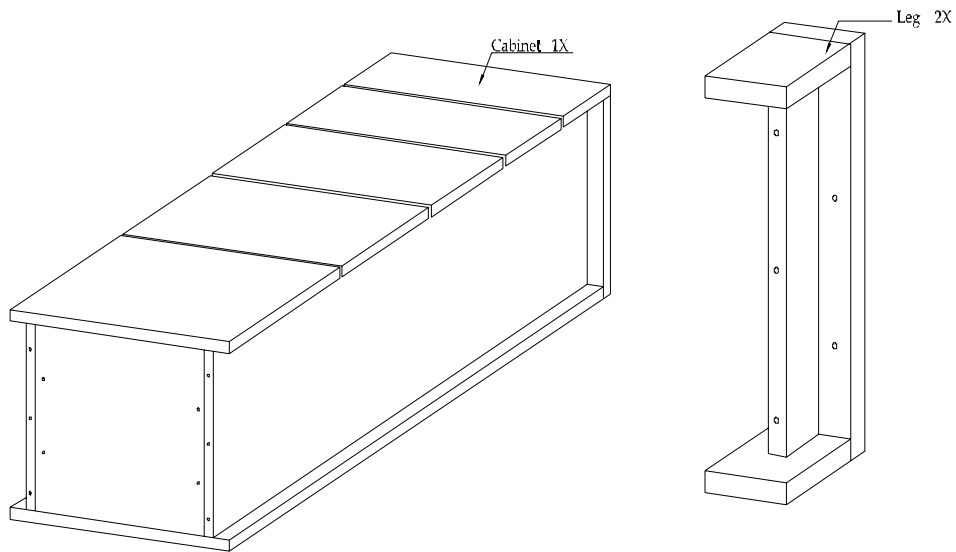


- ! Tool required:
- ! Do not throw away packaging materials until assembly is complete.
- ! Assemble this item on a soft surface, such as: cardboard or carpet to protect finish.
- ! Proper assembly of this item requires 2 people.

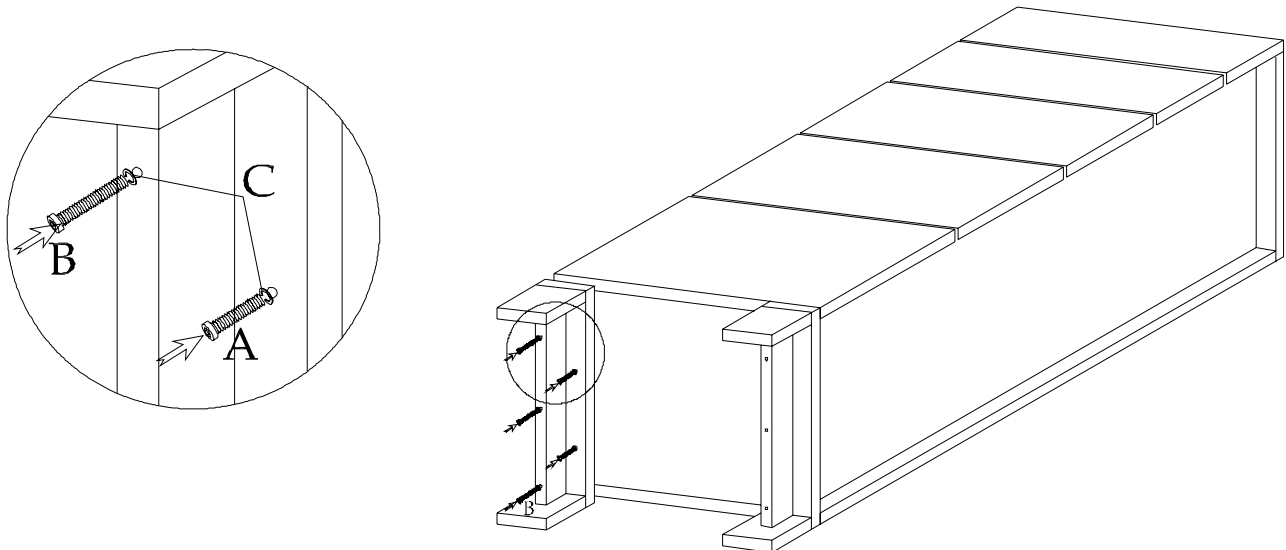
Hardware

<p>A</p>  <p>short bolt 4x</p>	<p>B</p>  <p>long bolt 6x</p>
<p>C</p>  <p>lock washer 10x</p>	<p>D</p>  <p>allen key 1x</p>

Parts



1. Carefully lay the case back on a soft surface, such as: cardboard or carpet to protect finish. Assemble leg on cabinet with 3 bolts (B), 2 bolts (A) with lock washers (C) as shown below.



- 2. Repeat step 1 for other leg.
- 3. With 2 adults turn the case to upright position.

CARE INSTRUCTIONS

Hardware may loosen over time. Periodically check that all connections are tight.
Wipe with a soft, dry cloth. To protect finish, avoid the use of chemicals and household cleaners.

NOTICE: To prevent injury and property damage from unexpected tipping of furniture, we highly recommend installation of the anti-tip kit included with this product.

Attaching unit to wall with anti-tip kits.

1. Determine where the unit is to be placed and mark location on the wall for the mounting bracket screw holes. They should be placed approximately 1" below the top on the back of the unit.
2. Attach the mounting bracket vertically to the wall by inserting the long screws provided through the holes in the bracket and tightening securely using screwdriver. Screws must penetrate wall studs for proper installation.
3. Next using the short screws attach the 2nd bracket to the back of the unit top.
4. Lace the nylon strap down through the brackets. Slide the thin end of the strap through the receiving end of the nylon strap. Pull to tighten tower snug against wall.

