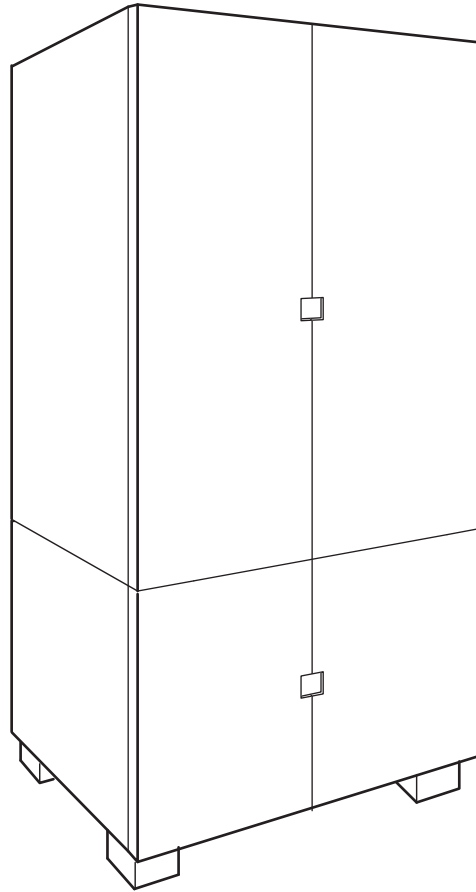


west elm : cube cutout armoire top and bottom

assembly instructions

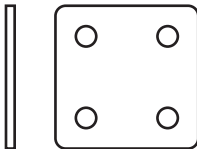
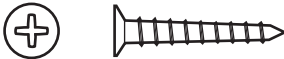



! Tools required:

! Do not throw away packaging materials until assembly is complete.

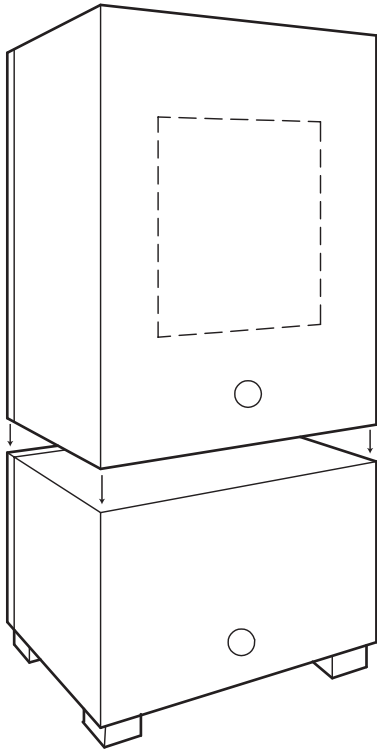
! Assemble this item on a soft surface, such as cardboard or carpet, to protect the finish.

! Proper assembly requires two people.

A	 attachment plate (not drawn to scale) 2x
B	C
 screw 8x	 shelf pin 4x

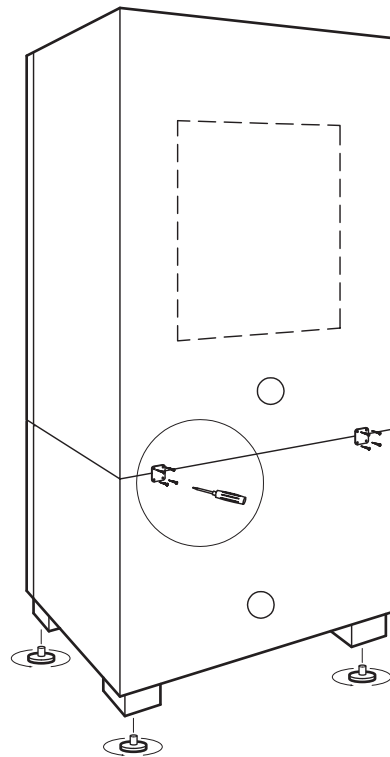
west elm : cube cutout armoire top and bottom

assembly instructions



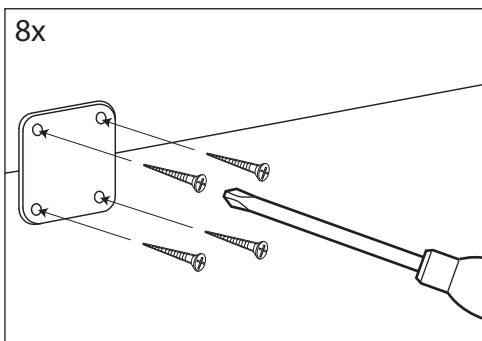
1. Carefully place top armoire on bottom, as shown. .

2. To attach the top armoire to the bottom, align the attachment plates (A) with the pre-drilled holes and insert the screws (B) as shown. Tighten with Phillips-head screwdriver.

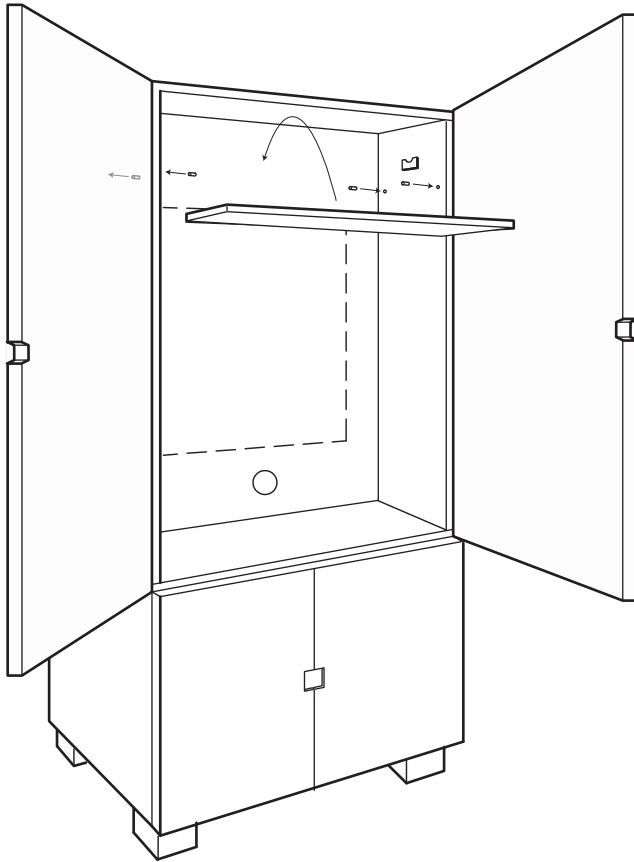


NOTE

Level can be adjusted by turning levelers under legs.

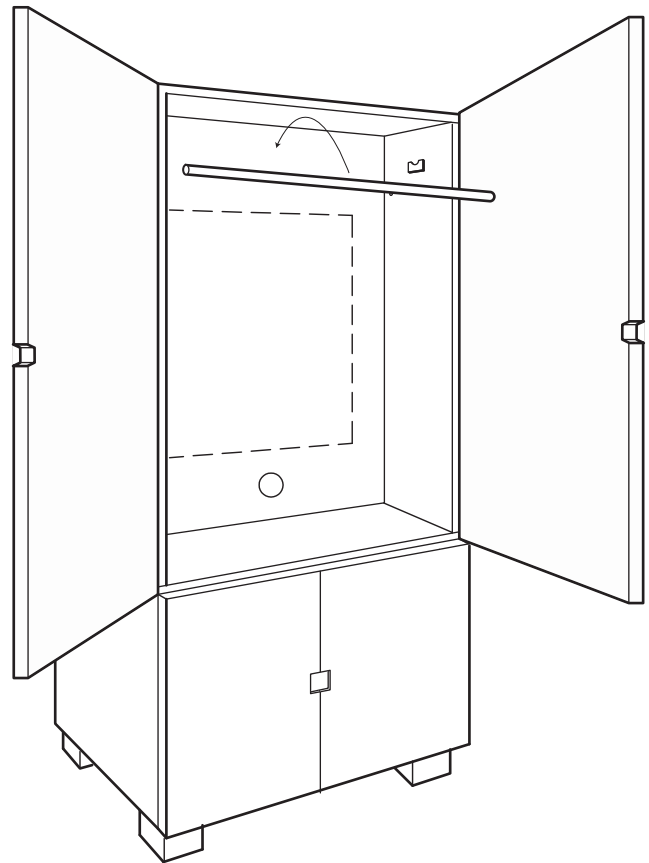


west elm : cube cutout armoire top and bottom



3. If you'd like to use the shelf in the armoire top, Insert shelf pins (C) into pre-drilled holes along the sides of the vertical panels. Place shelf on top of shelf pins. There are short channels in the bottom of the shelf to accept the pins.

4. Alternately, if you'd like to use clothes bar in the armoire top, place the bar in the the supports located on the vertical panels on either side of the armoire top.



CARE INSTRUCTION

Hardware may loosen over time. Periodically check that all connections are tight.

Wipe with a soft, dry cloth. To protect finish, avoid the use of chemicals and household cleaners.

west elm : cube cutout armoire top and bottom

assembly instructions

OVERBALANCE

To prevent injury and property damage from unexpected tipping of furniture, we highly recommend installation of the one (1) set of overbalance protection hardware included with this product.

1. Attach the mounting bracket (I) horizontally to the top back edge of the furniture. Insert the short screws (III) through the holes in the bracket (I) and tighten securely using screwdriver.
2. Determine where the furniture is to be placed and mark location on the wall for the mounting bracket screw holes. It should be placed approximately 2" below the bracket mounted to the furniture.
3. Attach the mounting bracket (I) vertically to the wall by inserting the long screws (IV) provided through the holes in the bracket and tightening securely using screwdriver.
4. Place the furniture so the brackets (I) on the back edge are in line with the brackets (I) on the wall.
5. Lace an end of the nylon restraint strap (II) down through each bracket (I). Bring both ends together and slide the thin end of the strap through the receiving end of the strap until snug.
6. Check to make sure the strap is securely laced and locked to the brackets.

