

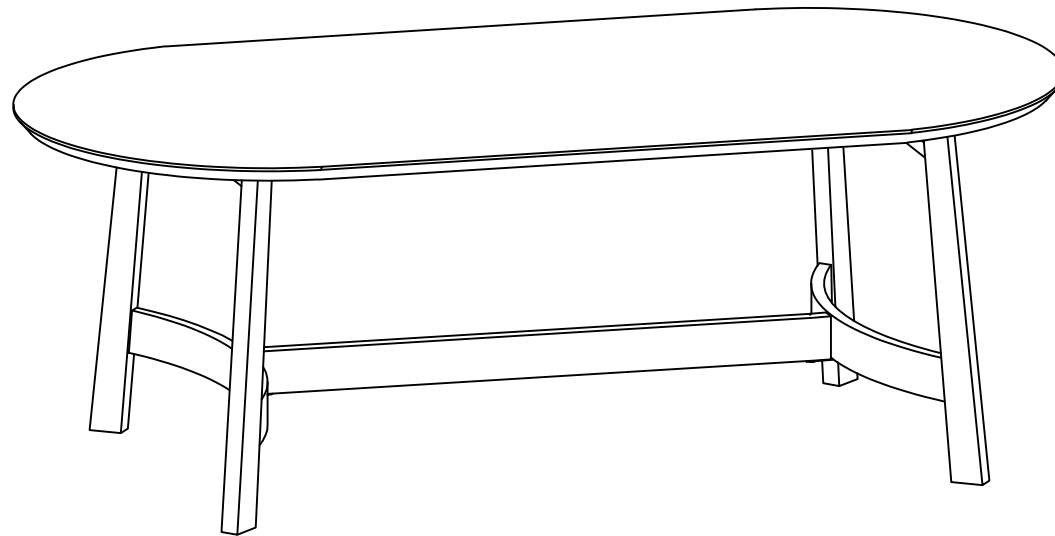
MOE'S

home collection

ASSEMBLY INSTRUCTIONS.

TRIE COFFEE TABLE DARK BROWN




VE-1119-20-0







THANK YOU FOR YOUR PURCHASE!

PARTS AND HARDWARE.

PARTS LIST

| NO. | DESCRIPTION | IMAGE | Q'TY |
|-----|-------------|---|------|
| P1 | TOP |  | 1 |
| P2 | LEG |  | 2 |
| P3 | STRETCHER |  | 1 |

HARDWARES LIST

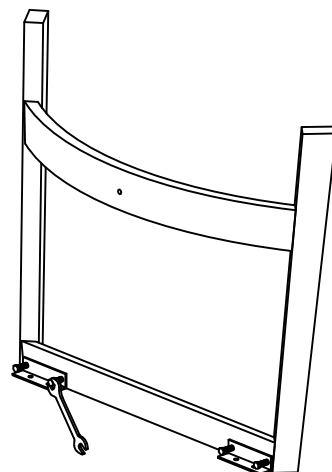
| NO. | DESCRIPTION | IMAGE | Q'TY |
|-----|-----------------|---|------|
| H1 | HEX BOLT 8x16mm |  | 24 |
| H2 | SPANNER |  | 1 |
| H3 | WASHER |  | 24 |
| H4 | L-ANGLE |  | 6 |

NOTES.

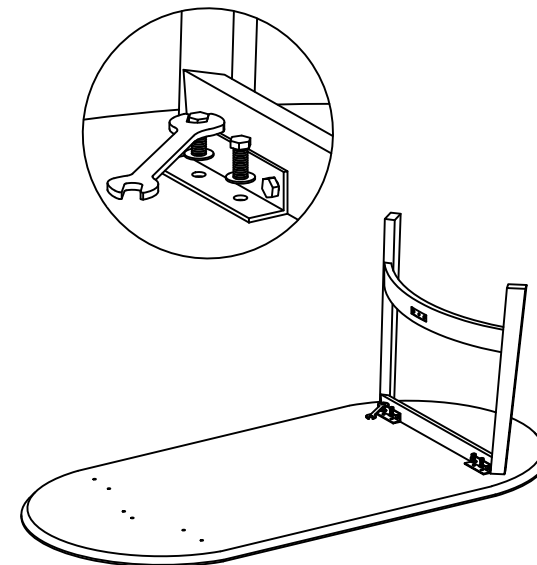
Thank you for purchasing this quality product! Be sure to check all packing material carefully for small part that may have come loose inside the carton during shipping.

CAUTION: The item is heavy, assembly should be performed by two people.

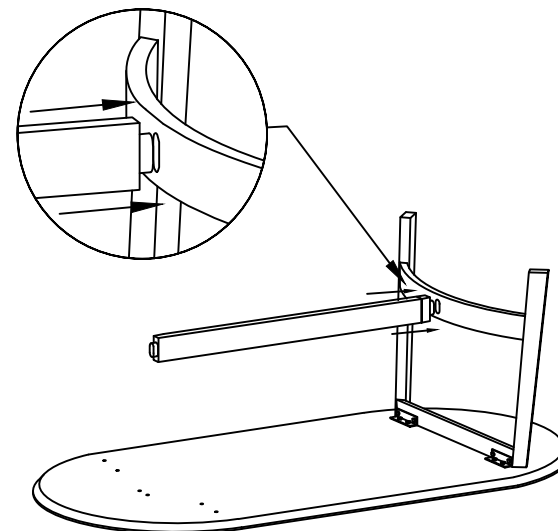
STEP 1.



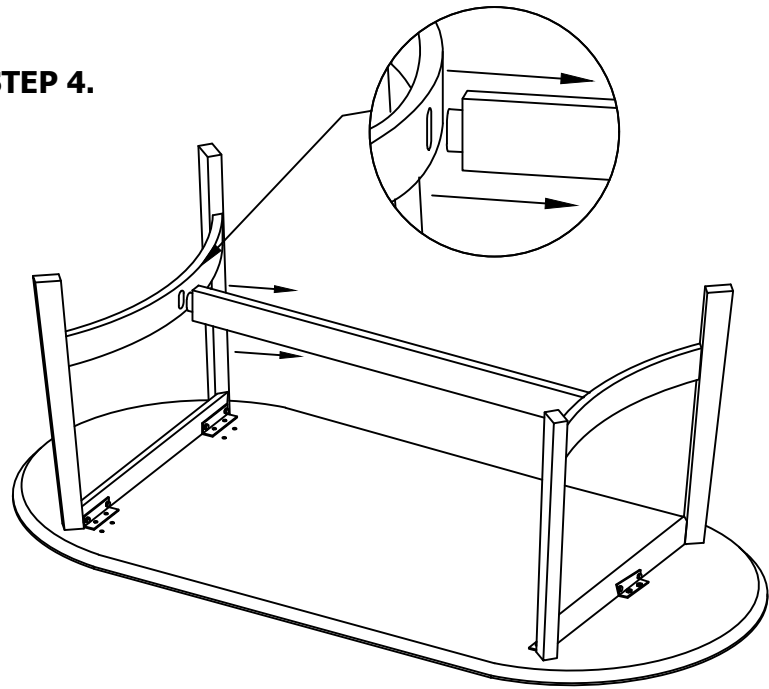
STEP 2.



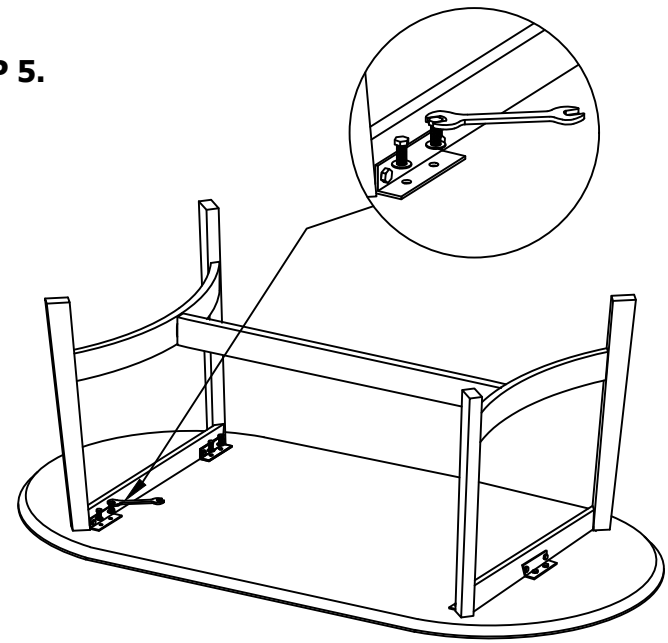
STEP 3.



STEP 4.



STEP 5.



STEP 6.

