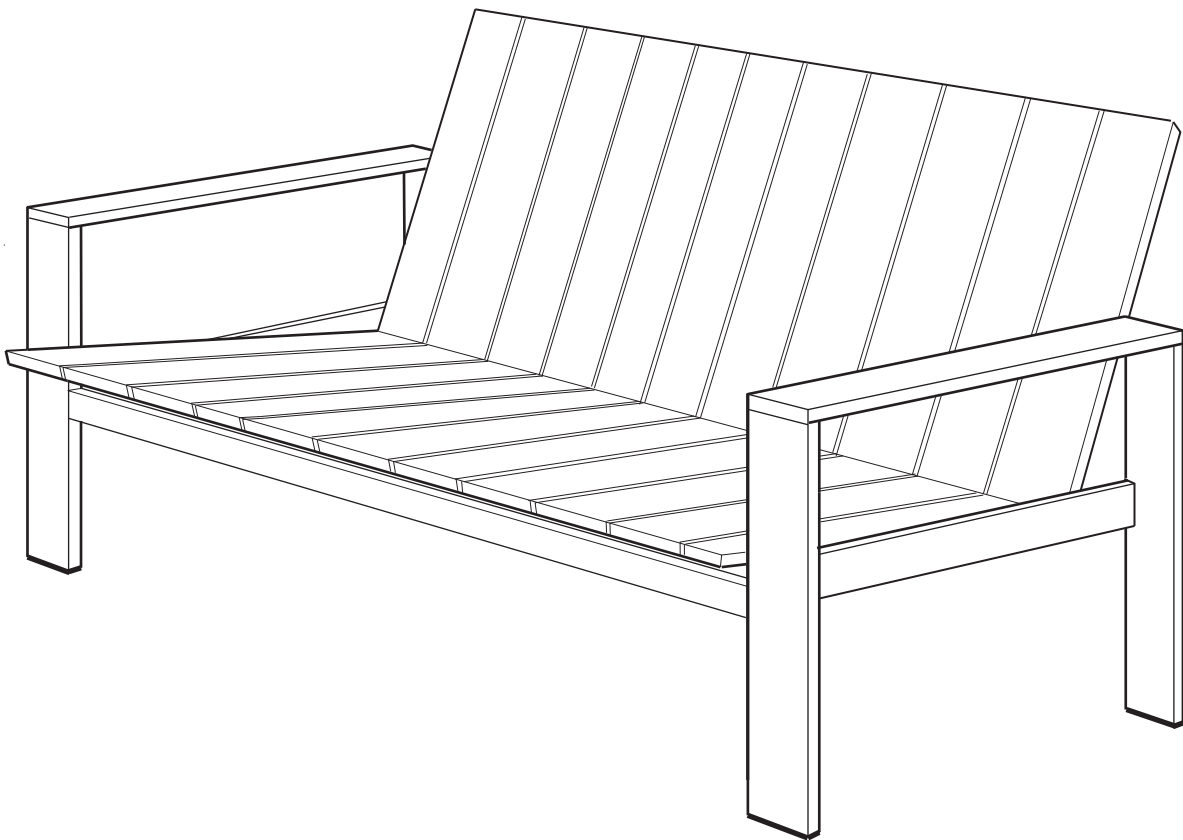
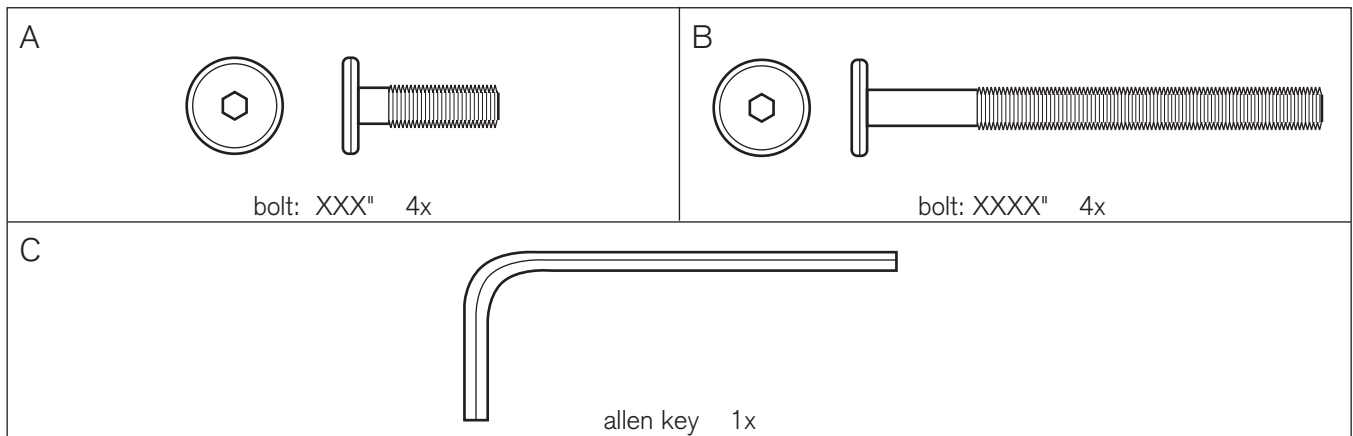


west elm: wood slat love seat

assembly instructions



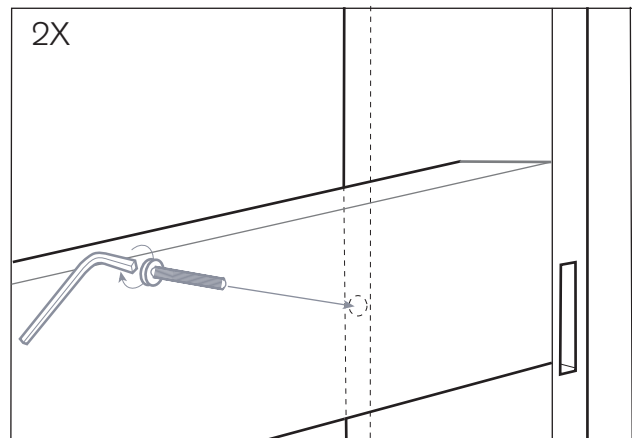
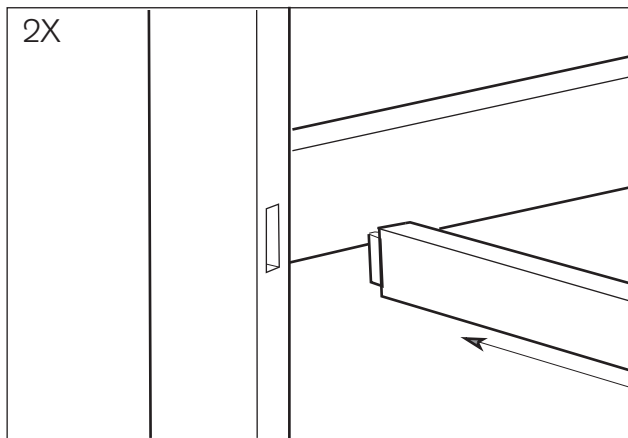
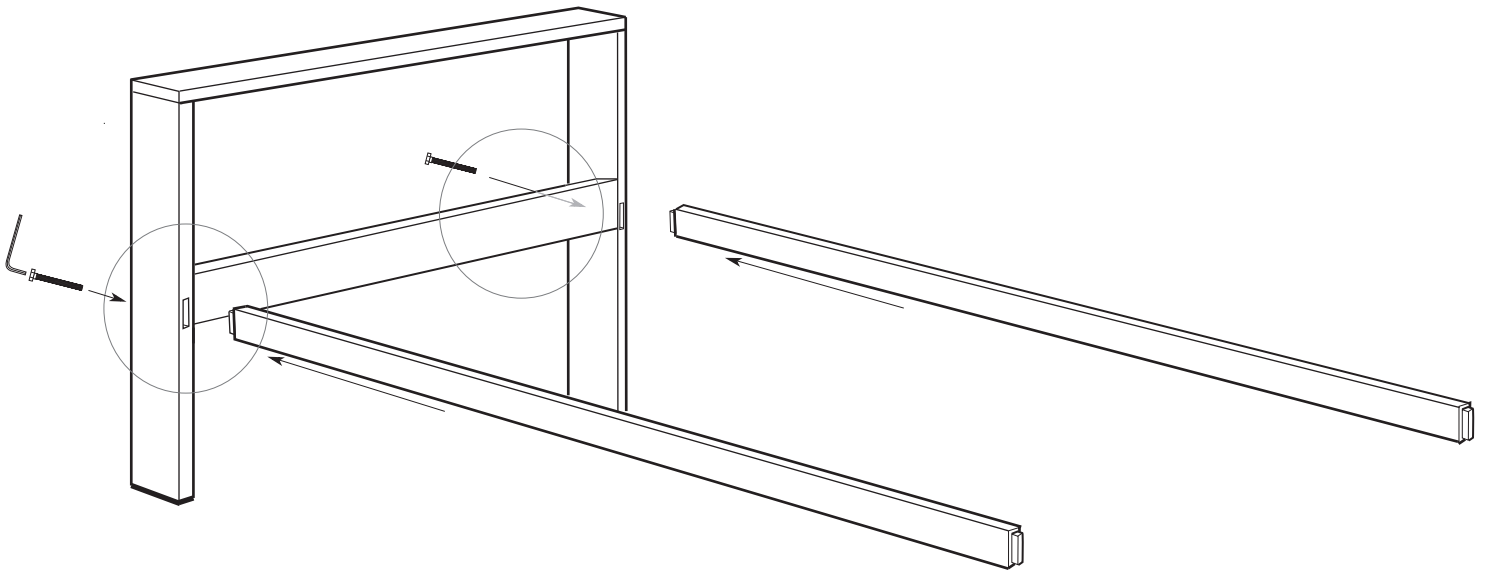
- ! Do not throw away packaging materials until assembly is complete.
- ! Assemble this item on a soft surface, such as cardboard or carpet, to protect the finish.
- ! Proper assembly of this item requires 2 people.



west elm

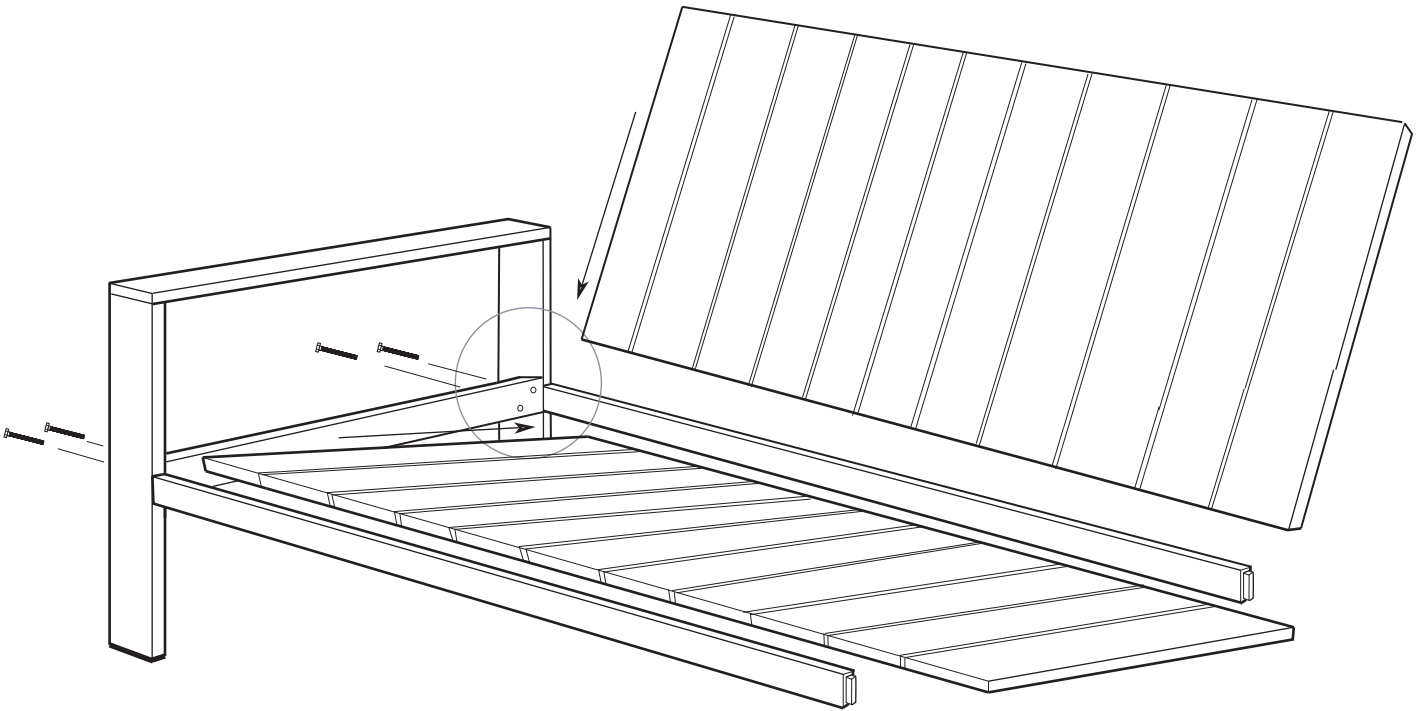
assembly instructions

1. Insert the connectors on the side rails into the leg rails.
2. Secure with bolts (B) and tighten with allen key (C).

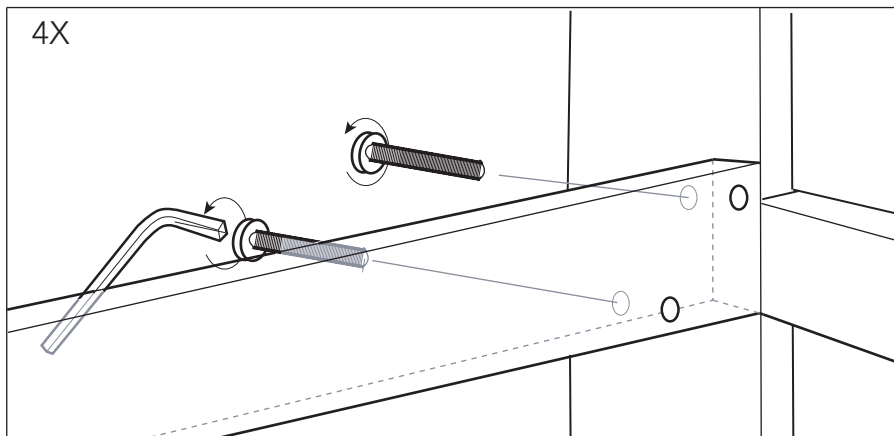


west elm: wood slat love seat

assembly instructions

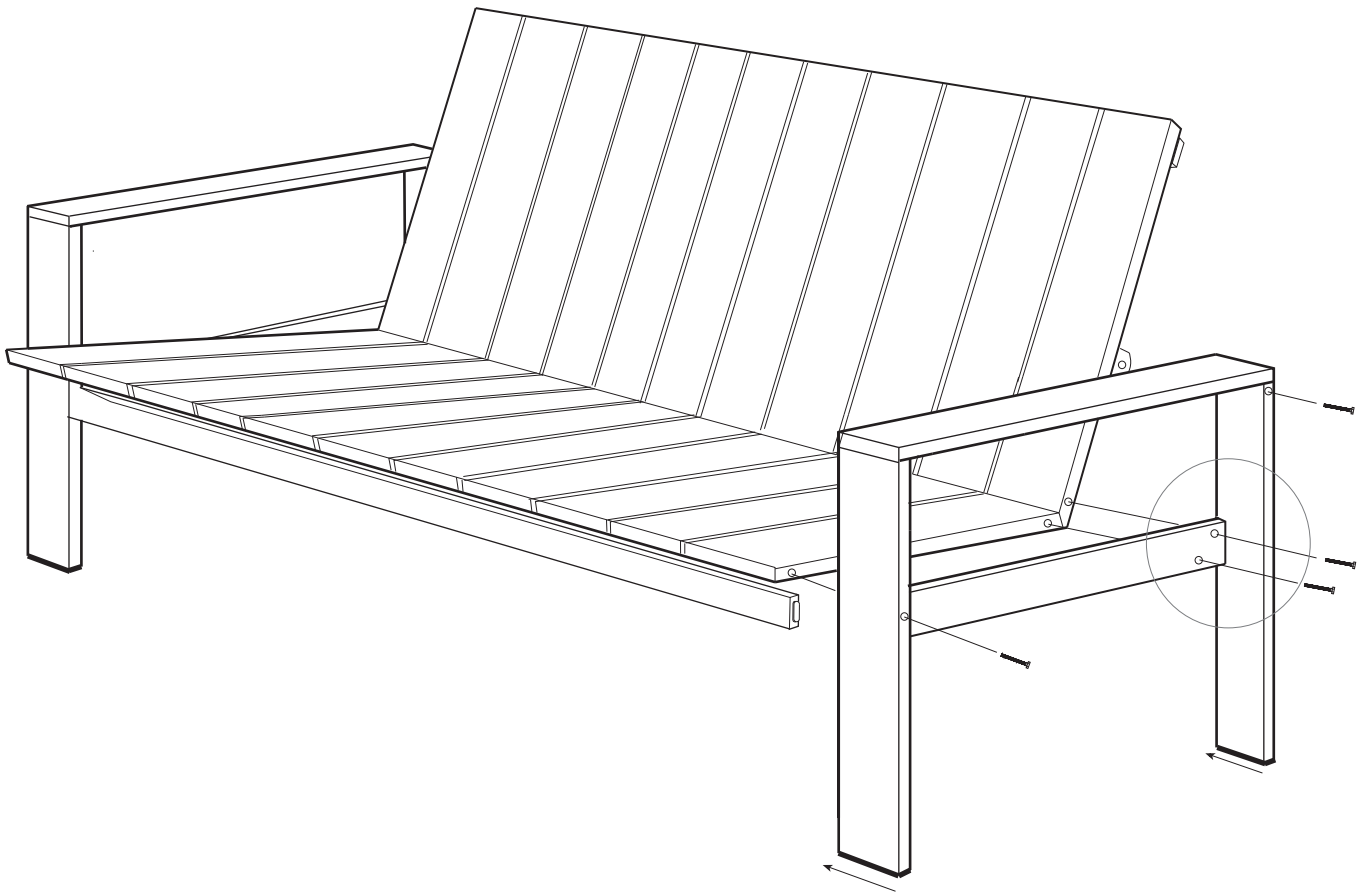


3. Insert the seat & back panels into the leg rails.
 4. Secure with bolts (A) and tighten with allen key (C).
- ! Proper assembly of this item requires 2 people.



west elm: wood slat love seat

assembly instructions



4. Insert the seat & back panel into the other leg rail.

5. Secure with bolts (A) and tighten with allen key.

! Proper assembly of this item requires 2 people.

