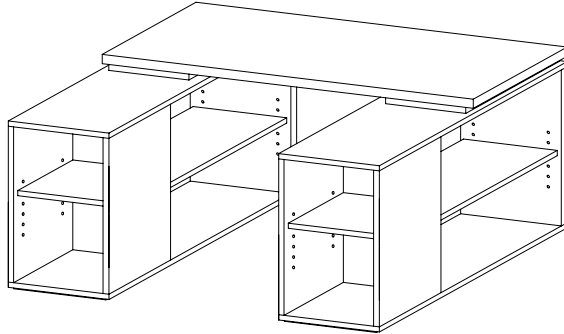
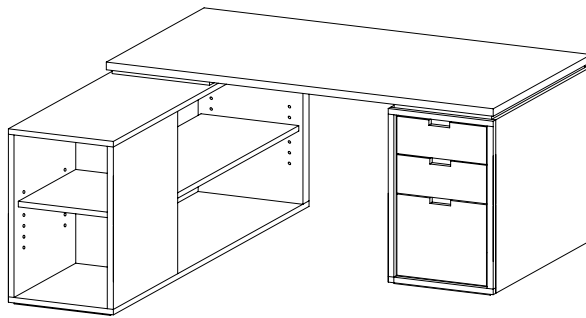


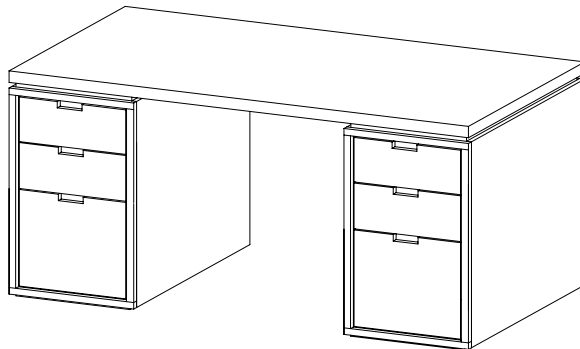
Option 1: 1 modular rectangle table top + 2 modular wide bookcase



Option 2: 1 modular rectangle table top + 1 modular wide bookcase + 1 modular 3 drawer unit



Option 3: 1 modular rectangle table top + 2 modular 3 drawer unit



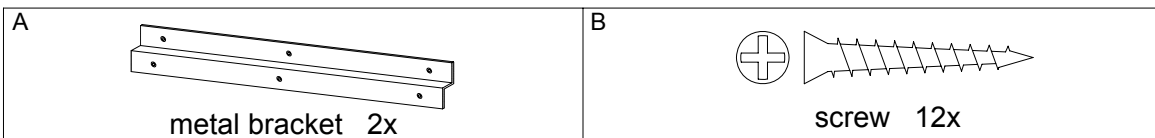
! Tool required:

! Do not throw away packaging materials until assembly is complete.

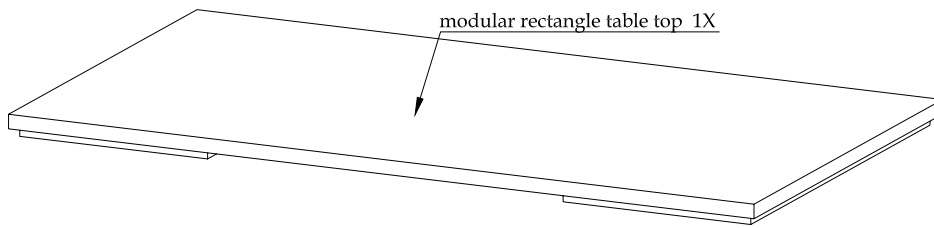
! Assemble this item on a soft surface, such as cardboard or carpet to protect finish.

! Proper assembly of this item requires 2 people.

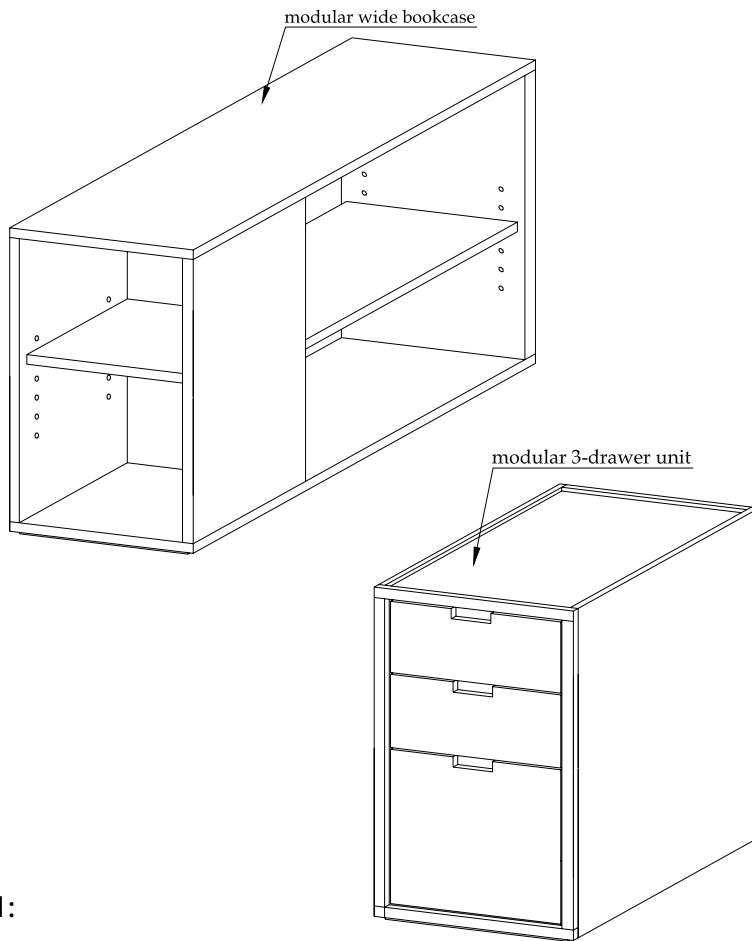
## Hardware



### Parts

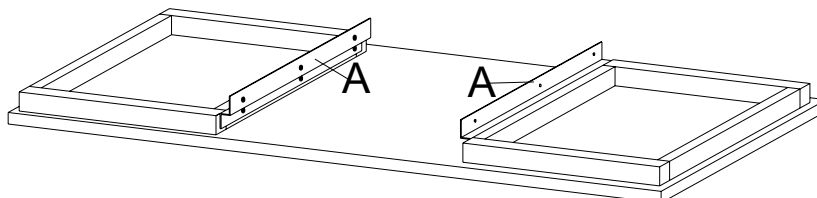


### Bookcase and 3-drawer unit sold separately

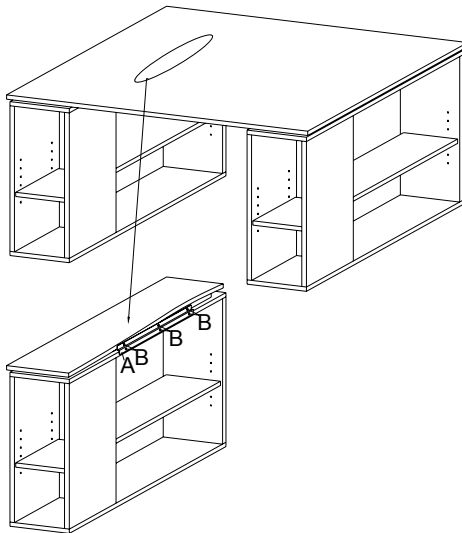


With Option1:

1. Lay top upside down on a soft surface to protect finish. Attach metal bracket (A) to table top by aligning pre-drilled holes on metal bracket with pre-drilled holes in under top frame as shown below. Run three screws (B) to hold each bracket to under top frames with a Philips head screw driver.

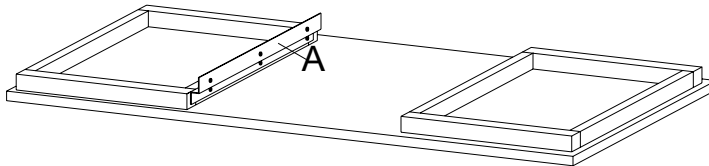


2. Position two wide bookcases to make sure the distance between them match the distance between the two assembled metal brackets under the top. Carefully flip the top right side up with a helper and position the top on the two bookcases as shown below. Run three screws (B) on each bracket through the pre-drilled holes with a Philips head screw driver to attach the top to the bookcases.

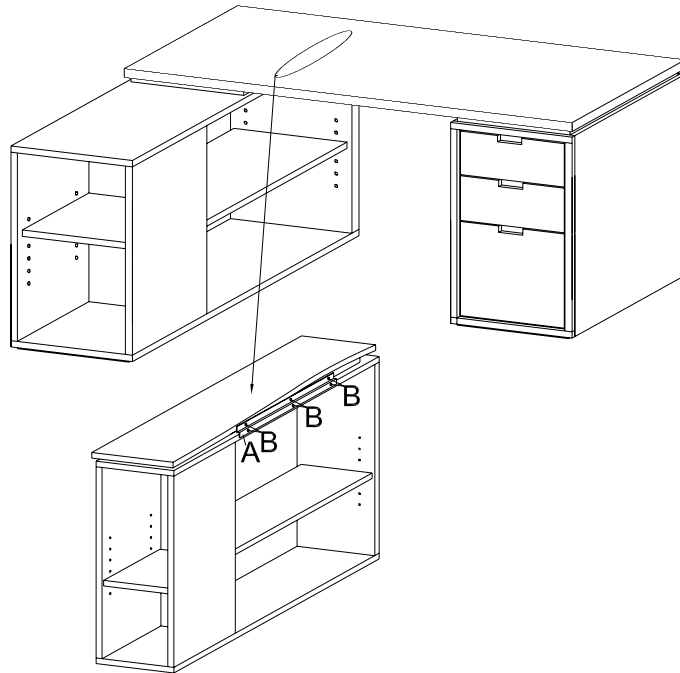


With Option 2:

1. Lay top upside down on a soft surface to protect finish. Attach the metal bracket (A) to the table top by aligning the pre-drilled holes on the metal bracket with the pre-drilled holes on the under top frame as shown below. Run three screws (B) to hold the bracket to the under top frame with a Philips head screw driver.

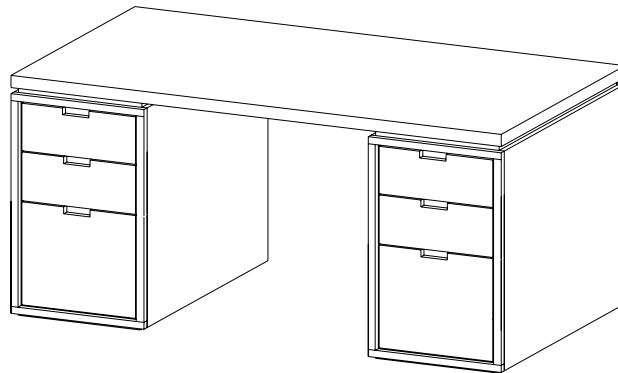


2. Position the wide bookcase and the three drawer unit to make sure the distance between them matches the distance between the assembled metal bracket and wooden frame under the top. Carefully flip the top right side up with a helper and lift the bookcase and the three drawer unit as shown below. Make sure the under top frame sits properly in the opening of the top of the three drawer unit. Run three screws (B) through the pre-drilled holes in the metal bracket with a Philips head screw driver to hold the top to the bookcase.



With Option 3:

Position the two three drawer units so that the distances between them match the distance between the two under top frames on the bottom of the modular rectangular table top. Carefully lift the top with a helper and put the top on the two three drawer units as shown below. Make sure each under top frame sits properly in the opening of the three drawer unit top



CARE INSTRUCTIONS

Hardware may loosen over time. Periodically check that all connections are tight. Wipe with a soft, dry cloth. To protect finish, avoid the use of chemicals and household cleaners.