

! Tools required:



Important Safety Instructions:

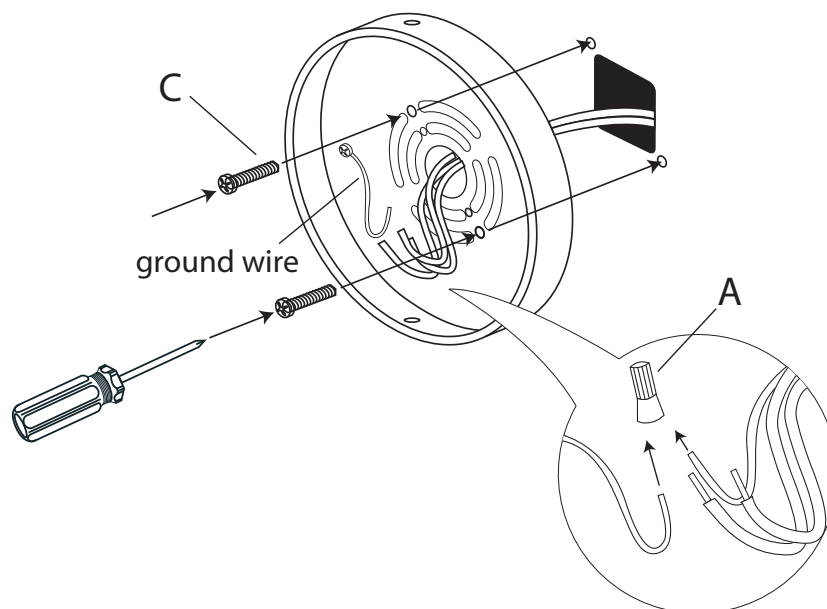
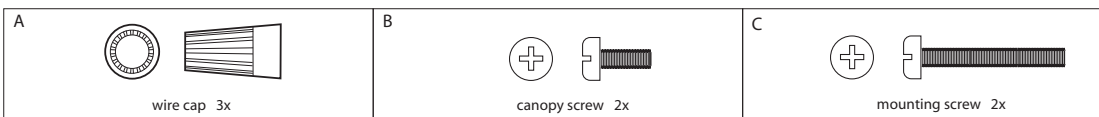
- These instructions are provided for your safety. It is important that they are read carefully and completely before installing the sconce.
- **We strongly recommend that a professional electrician install all direct wire fixtures.**
- This fixture has been rated for up to (1) **40-watt TYPE B standard bulbs** (not included). To avoid the risk of fire, do not exceed the recommended wattage.
- For your safety, use only shades with an open top with a measurement of at least 4" in diameter.

Warning:

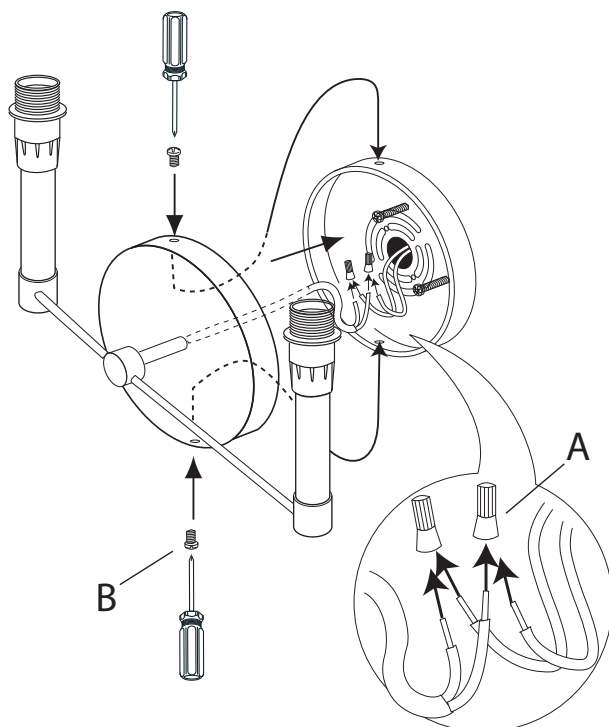
- To reduce the risk of fire, electrical shock or personal injury, always turn off and unplug lamp, and allow it to cool prior to replacing light bulb.
- Do not touch bulb when fixture is turned on.
- Keep flammable materials away from lit bulb.

Pre-assembly:

- Remove all parts and hardware from box along with any plastic packaging. Do not discard any contents until after assembly is complete to avoid accidentally discarding small parts or hardware.

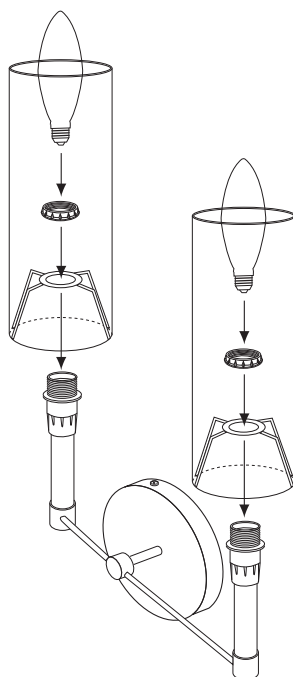


1. Attach back plate to wall or junction box using mounting screws (C).
2. Connect ground wire from wall to ground wire from lamp using wire caps (A).



3. Attach house wire to lamp wires as shown. Fasten the pairs together with a wire caps (A). DO NOT REVERSE THE HOT AND NEUTRAL CONNECTIONS OR SAFETY WILL BE COMPROMISED.

4. Attach front face of light to back plate by inserting canopy screws (B) through predrilled holes in front face and into back plate as shown. Tighten using screwdriver.



5. Unscrew ring from socket, place shade over socket, fasten ring back over socket to secure shade.

6. Insert lightbulb as shown.