

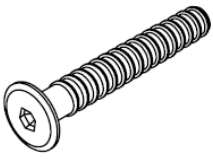
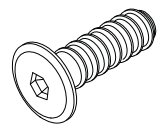


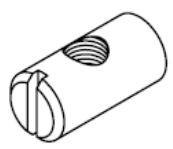

! Tools required: 

! Do not throw away packaging materials until assembly is complete.

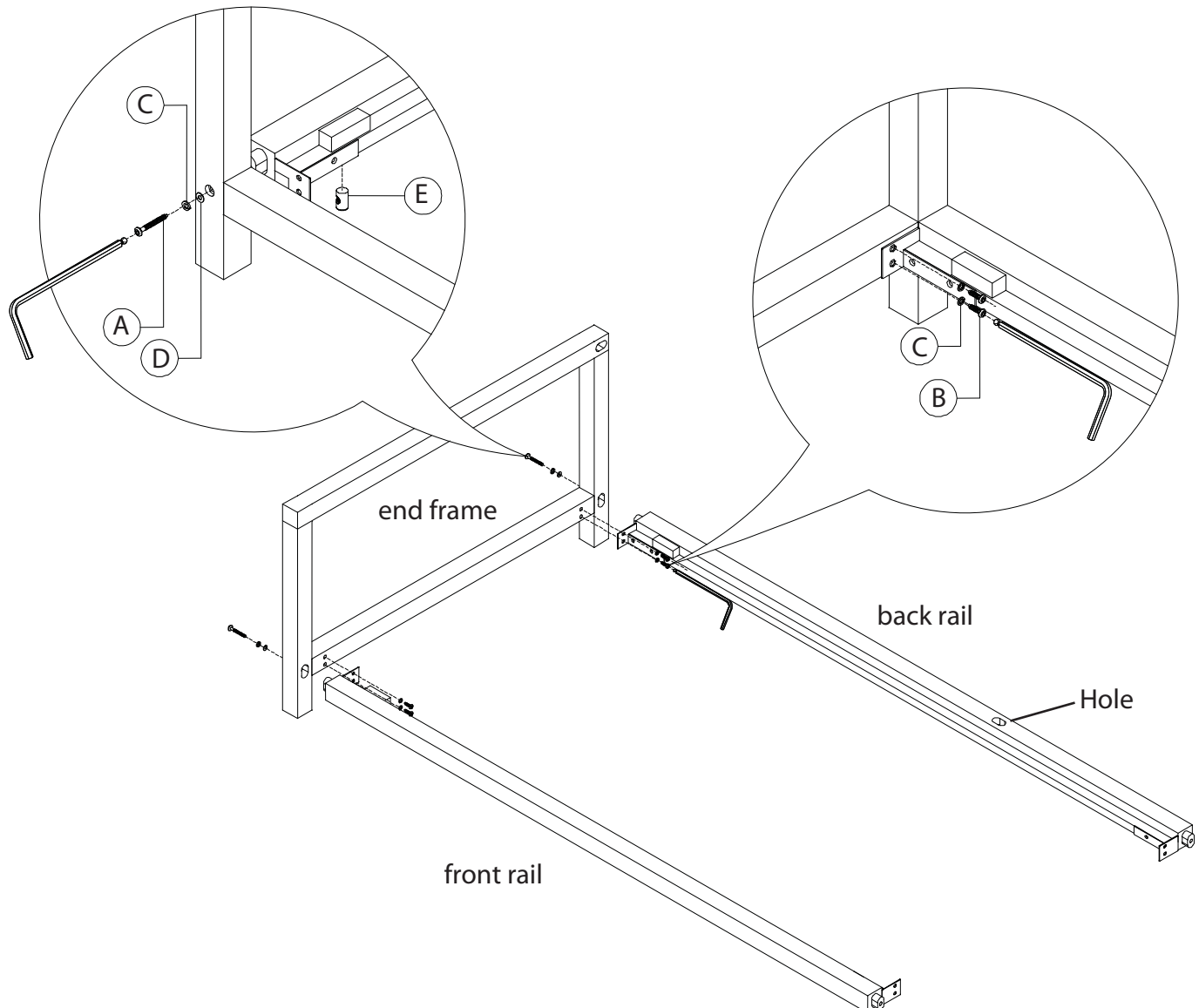
! Assemble this item on a soft surface, such as cardboard or carpet, to protect finish.

! Proper assembly of this item requires 2 people.

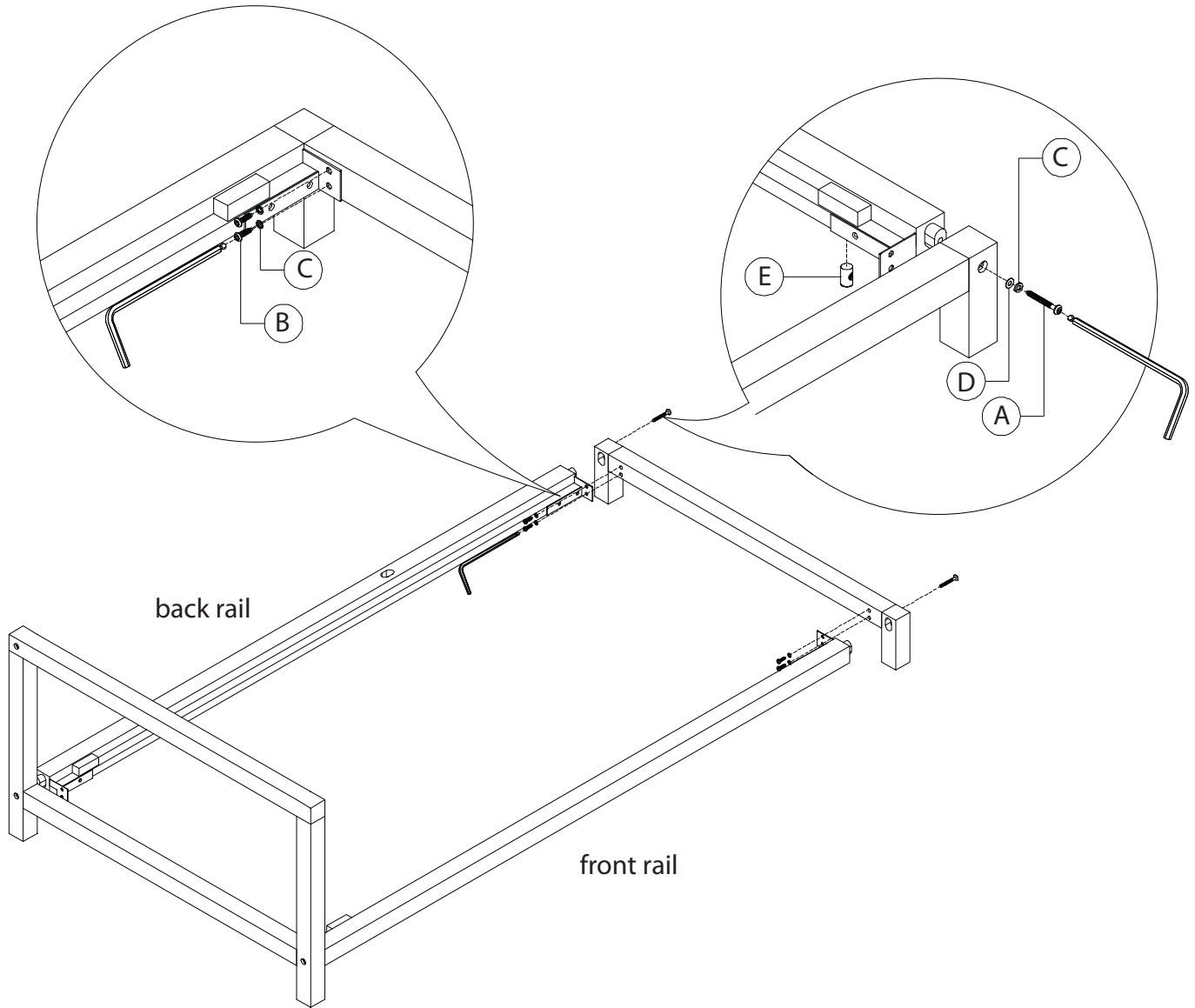
Hardware

<p>A</p>  <p>long Bolts m8 x 80 7x</p>	<p>B</p>  <p>short bolts m8 x 20 8x</p>
<p>C</p>  <p>spring washer m6 x 13 15x</p>	<p>D</p>  <p>flat washer m6 x 13 7x</p>
<p>E</p>  <p>barrel nut m6 x 13 7x</p>	<p>F</p>  <p>hex key 1x</p>

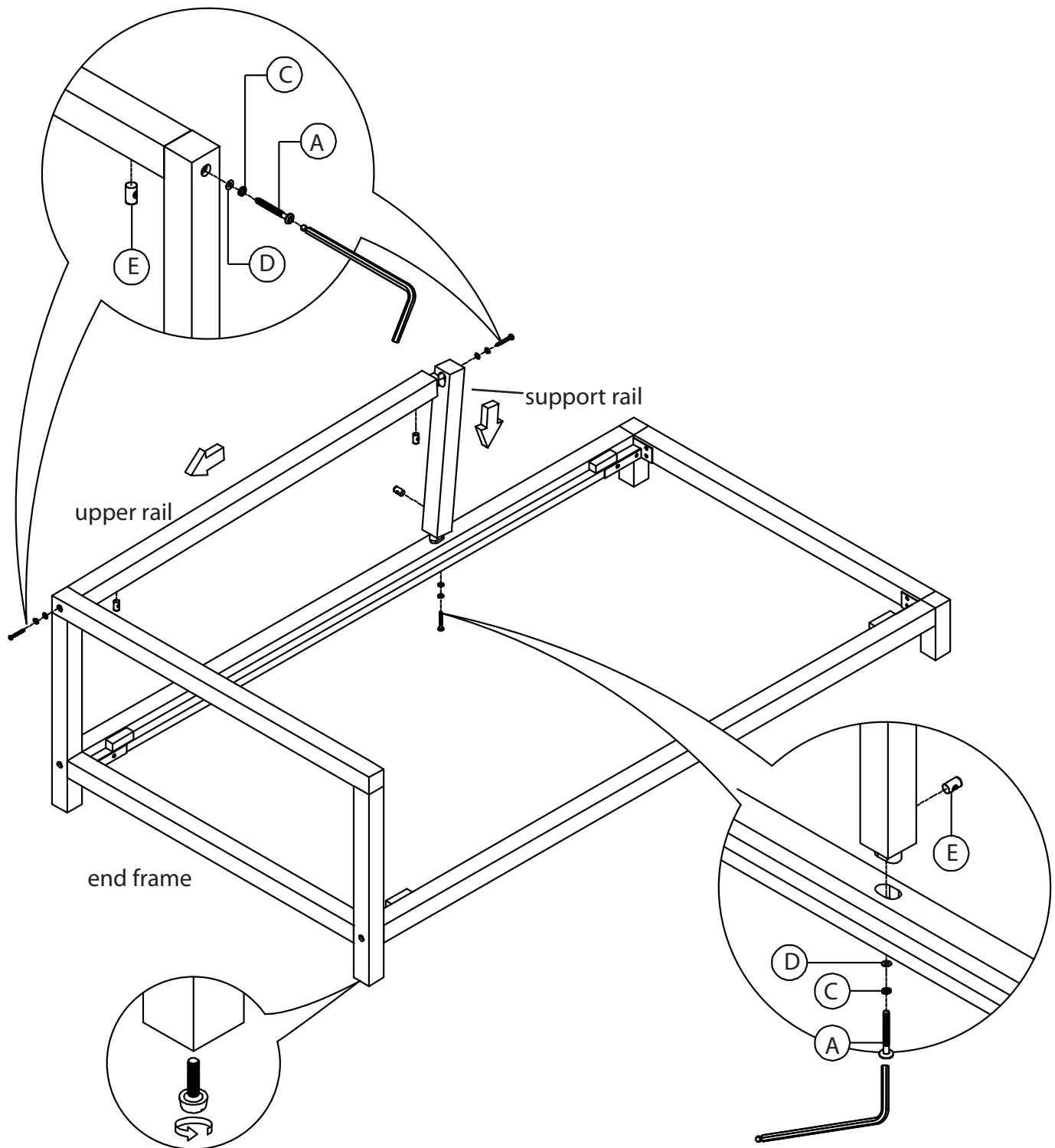
1. Align front rail and the back rail with the end frame as shown. Notice the hole in the back rail and its location. This rail must be installed like the drawing shows. Insert bolt (A), spring washer (C), and flat washer (D) thru the end frame. Insert barrel nut (E) into pre-drilled holes in the side rails. Tighten with supplied hex key (F).
2. Insert bolt (B), and spring washer (C) into metal brackets in the end of the side rails. Tighten with hex key (F).



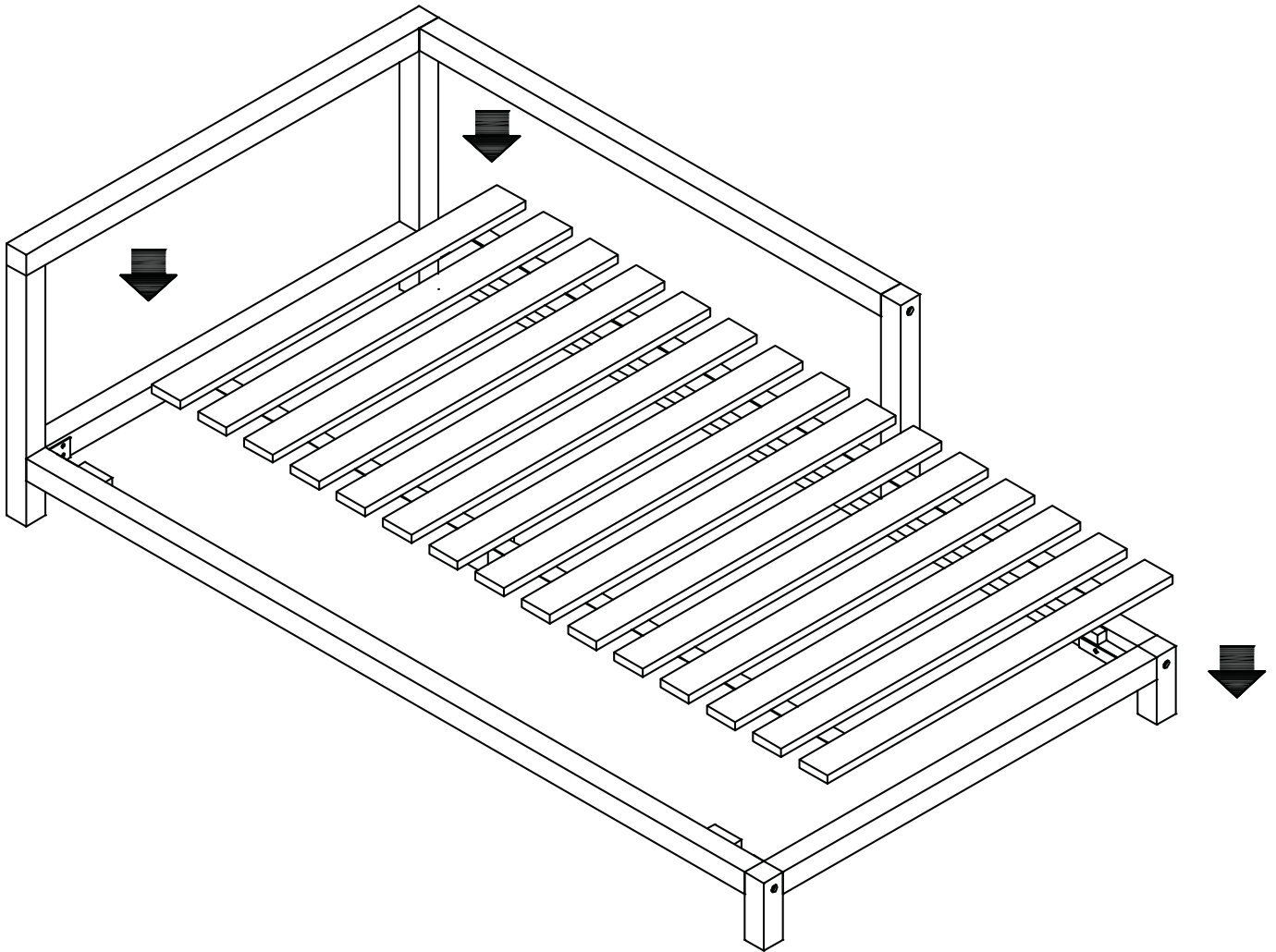
3. Repeat steps 1&2 to the other end of the bedframe.



4. Position upper rail to end frame assembly and support rail as shown. Insert barrel nuts (E) into pre-drilled holes into upper rail and support rail as shown. Insert bolts (B), spring washers (C), and flat washers (D) as shown. Tighten bolts using hex key (F).
5. Adjust levelers as needed to compensate for uneven floors.



6. Carefully lay slats into bedframe.



CARE INSTRUCTIONS

Hardware may loosen overtime. Periodically check that all connections are tight.

Wipe with a soft, dry cloth. To protect finish, avoid the use of chemicals and household cleaners.