

**Important Safety Instructions:**

- These instructions are provided for your safety. It is important that they are read carefully and completely before assembling fixture.
- We strongly recommend that a professional electrician install all direct wire fixtures.
- This fixture has been rated for up to 2 x 60-watt maximum TYPE A standard bulbs (not included). To avoid the risk of fire, do not exceed the recommended wattage.

**Warning:**

- To reduce the risk of fire, electrical shock or personal injury, always turn off lamp and allow it to cool prior to replacing light bulb.
- Do not touch bulb when fixture is turned on. Do not look directly at lit bulb.
- Keep flammable materials away from lit bulb.

**Pre-assembly:**

- Remove all parts and hardware from box along with any plastic protective packaging.
- Do not discard any contents until after assembly is complete to avoid accidentally discarding small parts or hardware.
- For your safety and convenience, assembly by two people is recommended

**Parts Enclosed:**

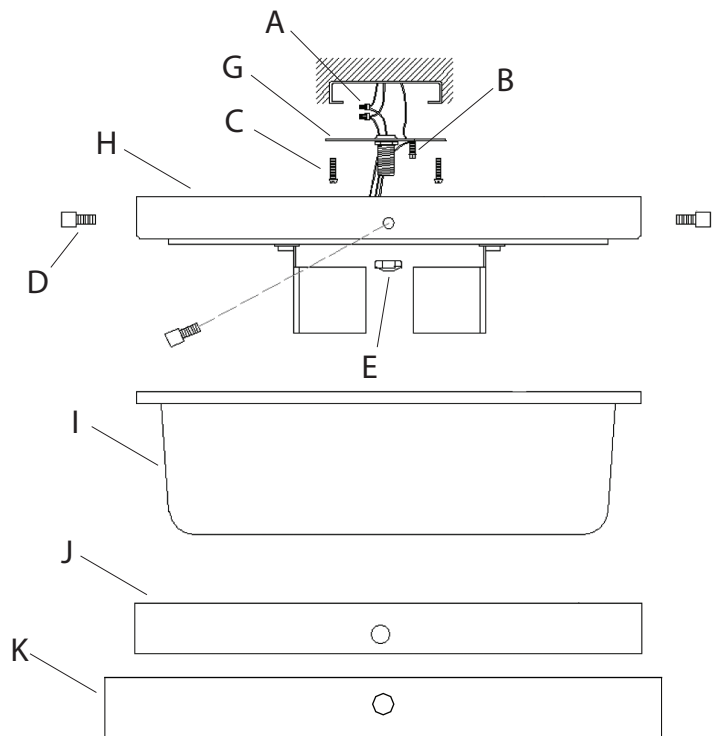
- (1) Mounting plate (G)
- (1) Screw Cap (E)
- (1) Canopy (H)
- (4) Metal Screws (D)
- (1) Shade Canopy (J)
- (1) Shade (I)

**Hardware Included:**

- (2) Mounting screws (C)
- (1) Green ground screw (B)
- (3) Plastic wire connectors (A)

**To install you will need:**

- Electrical tape
- Screwdriver

**Assembly Instructions:**

1. SHUT OFF THE MAIN ELECTRICAL SUPPLY FROM THE MAIN FUSE BOX/CIRCUIT BREAKER.
2. Carefully unpack all fixture parts and hardware and lay out on a clear workspace.
3. Carefully inspect the fixture wires. The NEUTRAL FIXTURE WIRE is white. The HOT FIXTURE WIRE is black. The yellow-green wire or bare wire is the GROUND WIRE.
4. Attach the GROUND WIRE from the fixture to the GROUND JUNCTION BOX WIRE from the outlet (usually green or bare wire). Fasten each together with a plastic wire connector (A) and wrap the connection with electrical tape. Be sure that no wire strands are exposed. If your outlet box DOES NOT have a GROUND WIRE, be sure to insert the green ground screw (B) into the mounting plate (C), and wrap the fixture's bare ground wire around the ground screw. IT IS IMPERATIVE THAT THE OUTLET BOX IN YOUR HOME BE PROPERLY GROUNDING.

5. Connect the NEUTRAL FIXTURE WIRE to the NEUTRAL JUNCTION BOX WIRE (white). Fasten each together with a plastic wire connector (A) and wrap the connection with electrical tape. Be sure no wire strands are exposed.
6. Connect the HOT FIXTURE WIRE to the HOT JUNCTION BOX WIRE (black). Fasten each together with a plastic wire connector (A) and wrap the connection with electrical tape. Be sure no wire strands are exposed. **DO NOT REVERSE THE HOT AND NEUTRAL CONNECTIONS OR SAFETY WILL BE COMPROMISED.**
7. Gently tuck the wire connections neatly into the ceiling junction box.
8. Attach the mounting plate (G) to the ceiling outlet box using the enclosed mounting screws (C). Tighten screws with a screwdriver.
9. Pull canopy (H) up over the mounting plate (G), fit the thread into the hole of the Canopy (H).
10. Screw on the Nut (E) and tighten by hand.
11. Insert 2 x 60-watt Type A bulbs (not included) into the socket. **DO NOT EXCEED SPECIFIED WATTAGE.**
12. Place the Glass Shade (I) onto the Canopy (H) and align the hole in the Canopy (H) with the hole in the Shade Canopy (J) and the wood canopy (K).
13. Screw in the Metal Screws (D) by hand.

#### Completing the Assembly:

1. Restore power to junction box and test fixture.

#### Care Instructions:

- Wipe clean using a soft, dry cloth or static duster.
- Always avoid the use of harsh chemicals and abrasives to clean fixture as they may damage the finish.