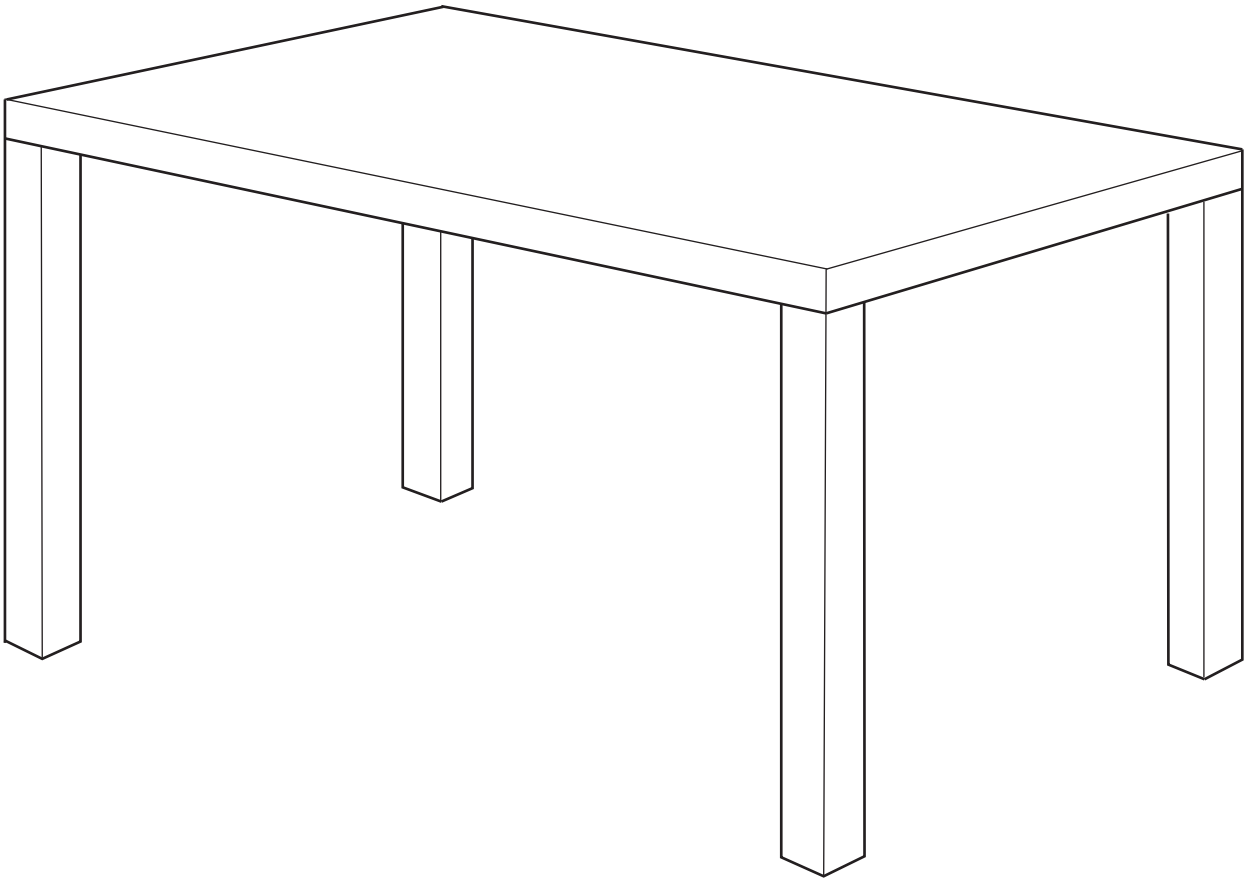


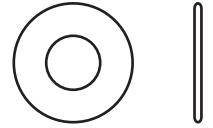
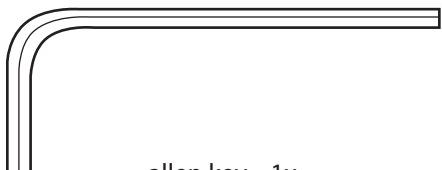


west elm : parsons dining table — rectangle

assembly instructions



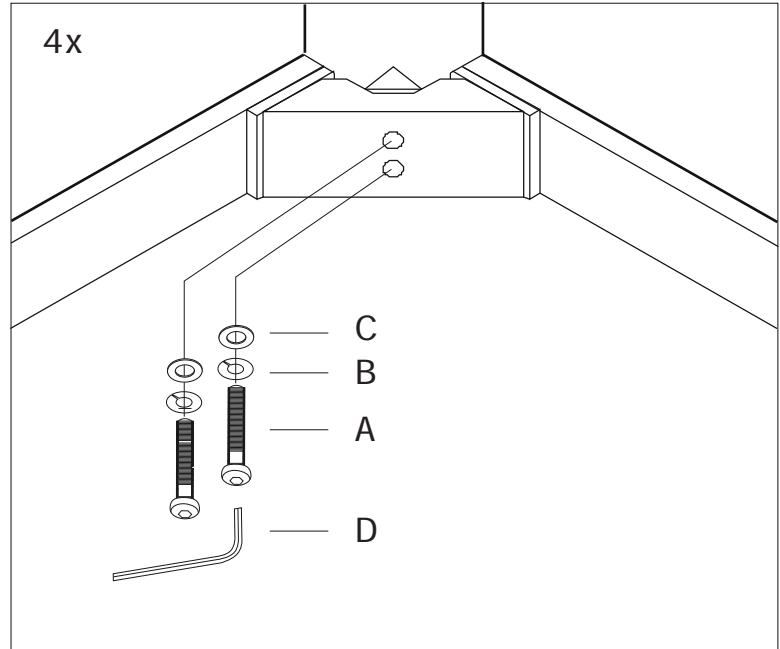
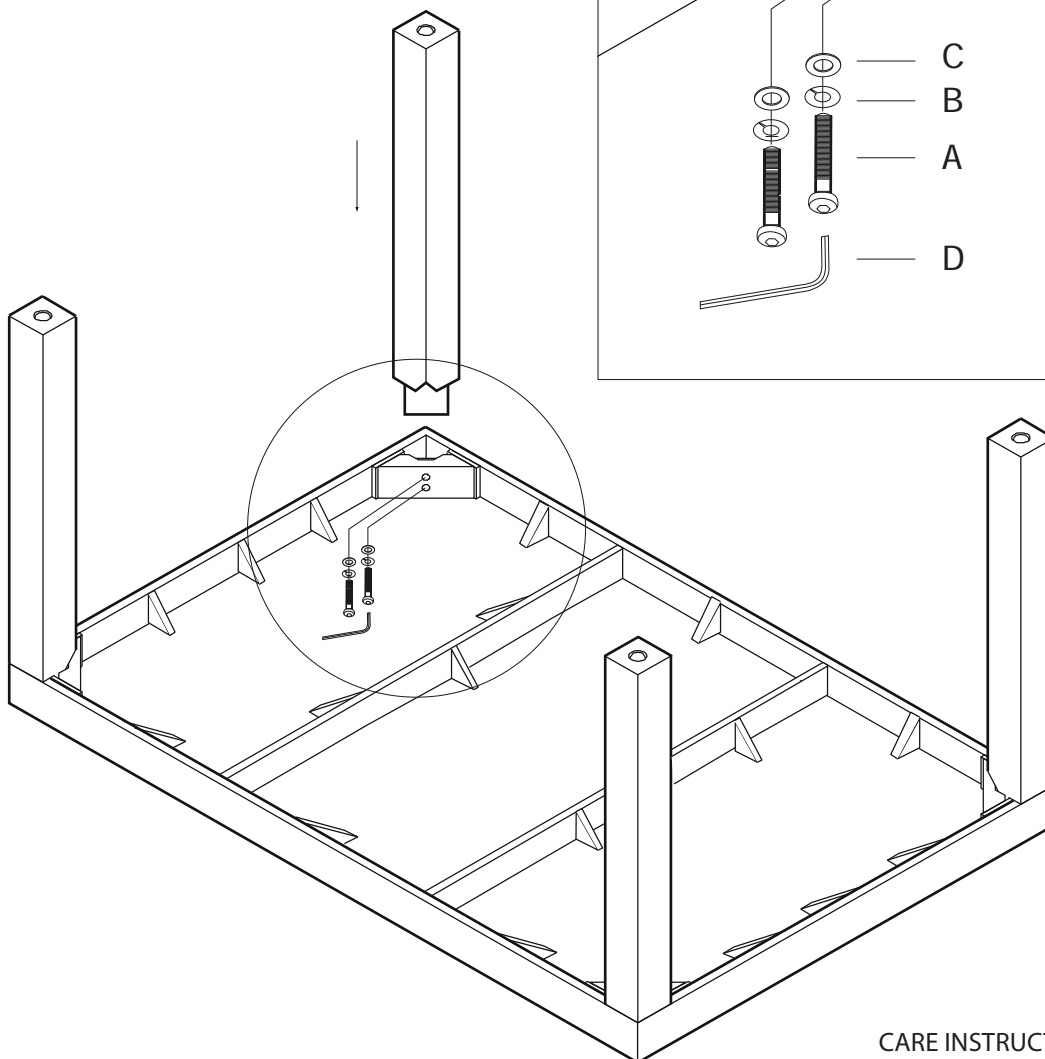
- ! Do not throw away packaging materials until assembly is complete.
- ! Assemble this item on a soft surface, such as cardboard or carpet, to protect the finish.
- ! Proper assembly of this item requires 2 people.

<div>A</div> <div></div> <div>bolt: 5/16" dia x 2 1/2" 8x</div>	<div>B</div> <div></div> <div>lock washer 8x</div>
<div>C</div> <div></div> <div>metal washer 8x</div>	<div>D</div> <div></div> <div>allen key 1x</div>

west elm : parsons dining table — rectangle

assembly instructions

1. Place the table top upside down.
2. One-by-one, position and attach the legs as shown. Attach the legs by inserting metal washer (C) and lock washer (B) with bolt (A). Insert into pre-drilled holes as shown. Tighten with allen key (D).



CARE INSTRUCTION

Hardware may loosen over time.
Periodically check that all connections
are tight.

Wipe with a soft, dry cloth. To protect
finish, avoid the use of chemicals and
household cleaners.