

! Tool required (not included): Philips Head Screwdriver



! Do not throw away packaging materials until assembly is complete.

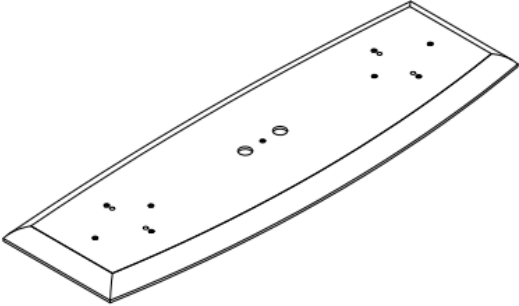
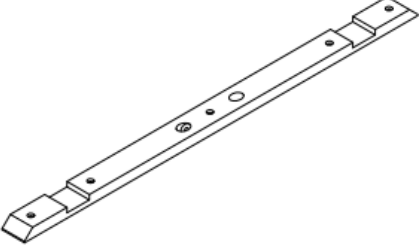
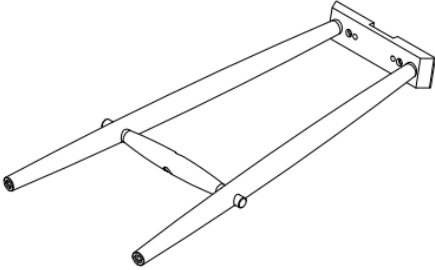
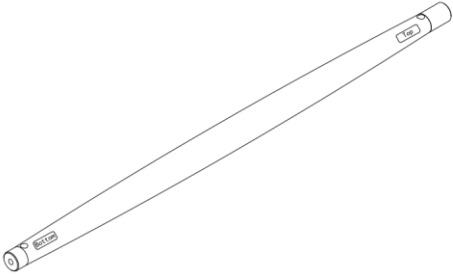






! To protect the finish, assemble this item on a soft surface, such as cardboard or carpet.

! 2 people required to assemble this item.

CARE INSTRUCTIONS

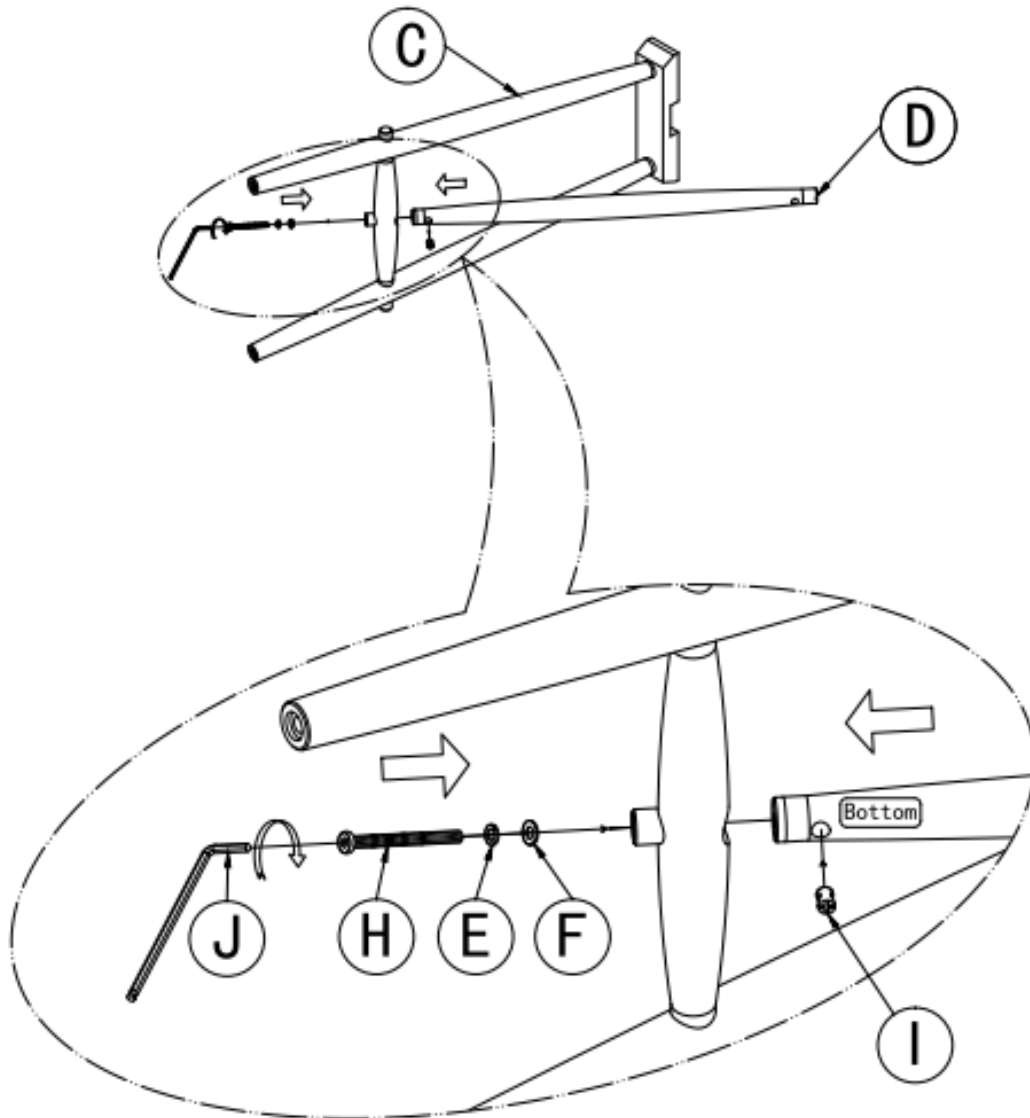
Hardware may loosen over time. Periodically check that all connections are tight. Wipe with a soft, dry cloth. To protect finish, avoid the use of chemicals and household cleaners. All hot serving dishes should be placed on a pad. Any liquid spilled onto the table should be cleaned up immediately with a damp cloth.

Parts

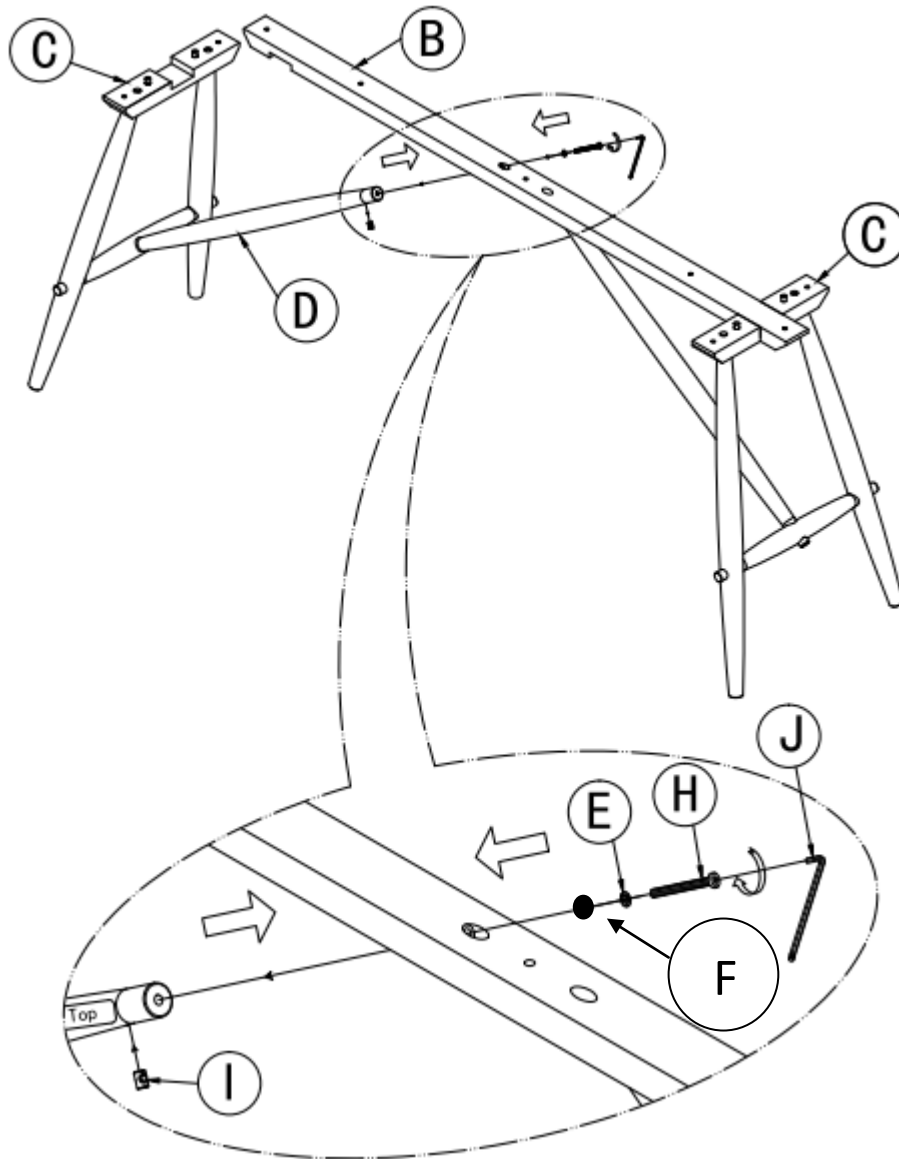
<p>A</p>  <p>Table top 1x</p>	<p>B</p>  <p>Wood block 2x</p>	
<p>C</p>  <p>Leg 2X</p>	<p>D</p>  <p>Support leg 2X</p>	
<p>E</p>  <p>Spring washer 1/4" xφ11x1.2 13x</p>	<p>F</p>  <p>Flat washer 1/4" xφ13x1 13x</p>	<p>G</p>  <p>Bolt 1/4" x 1-1/4" 9x</p>
<p>H</p>  <p>Bolt 1/4" x 2-1/2" 4x</p>	<p>I</p>  <p>Barrel-nut 1/4" xφ9.5x13 4x</p>	<p>J</p>  <p>Allen Key M4 x 110 x30 1x</p>

Assembly instructions:

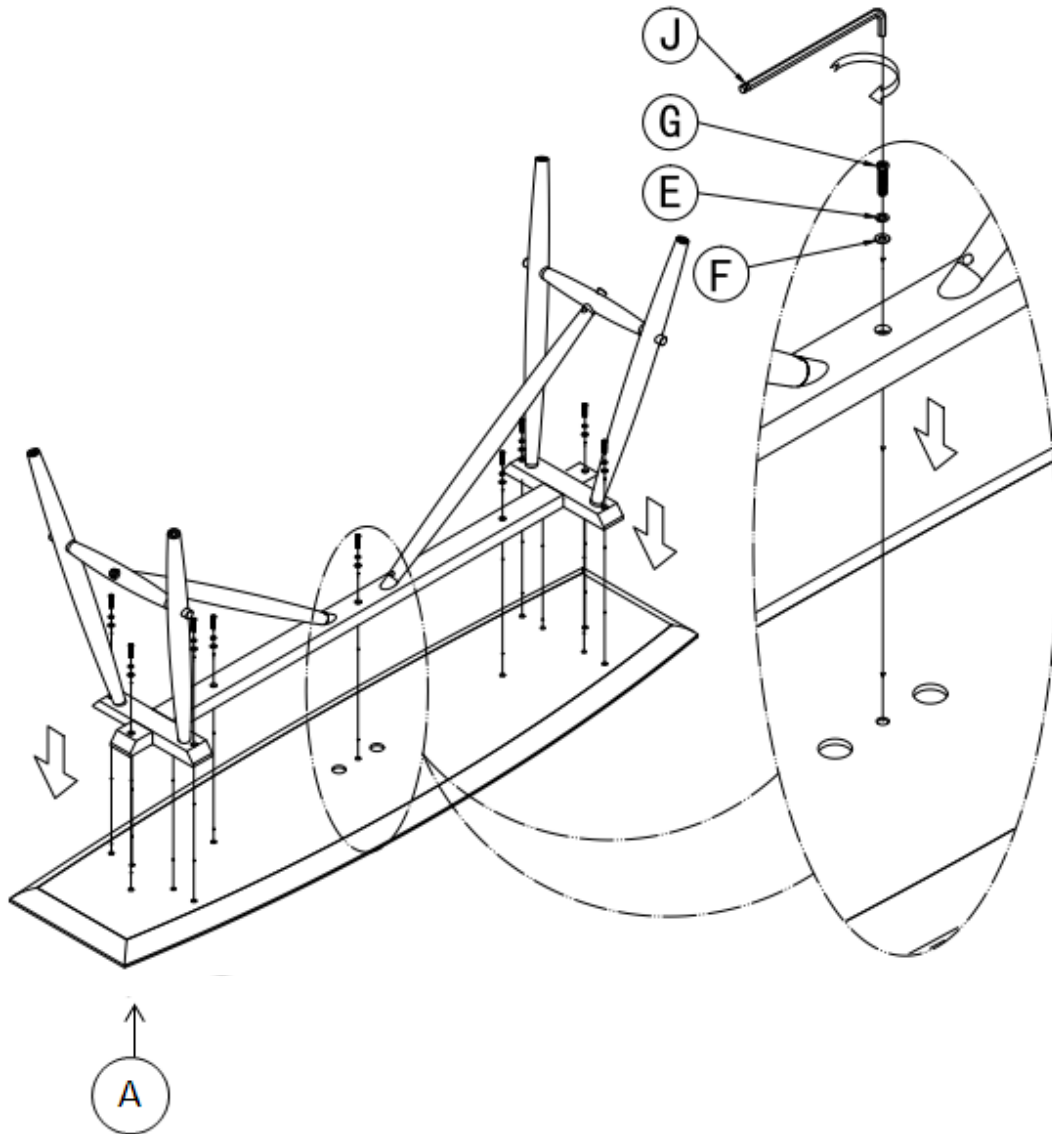
1. Lay leg (C) onto a clean smooth surface such as carpet or cardboard. Carefully lay support leg (D) onto the leg (C). Align leg as shown. Insert Spring washer (E), Flat washer (F), bolt (H), Barrel-nut(I) and tighten with supplied Allen key (J). **NOTE: Do not over tighten**



2. Insert the center rail (B) onto the leg (C) and support leg(D). Align leg as shown. Insert Spring washer (E) ; Flat Wahser (F) and bolt (H) , Barrel-nut(I) tighten with supplied Allen key (J).



3. Insert the table top (A) onto the leg. Align table top and leg as shown. Insert Flat washer (F), spring washer (E), bolt (G) tighten with supplied Allen key (J).



4. Place the table upright and re-tighten all bolts. If the table doesn't sit level, adjust the leveler under the legs.

