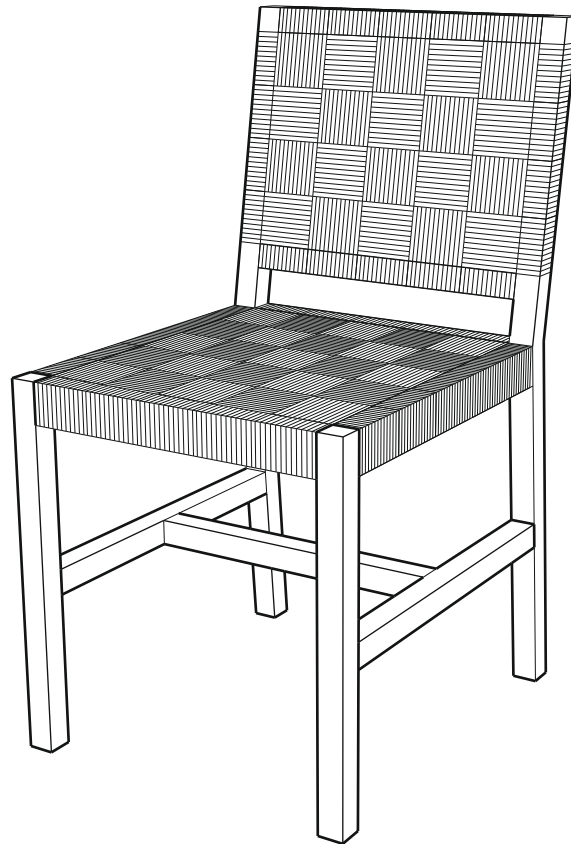


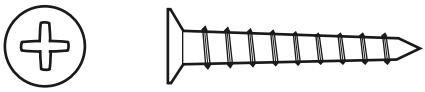
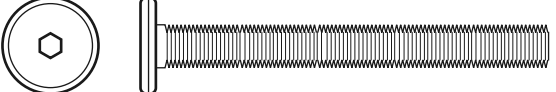

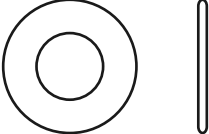

west elm : woven wood chair



! Tools required: 

! Do not throw away packaging materials until assembly is complete.

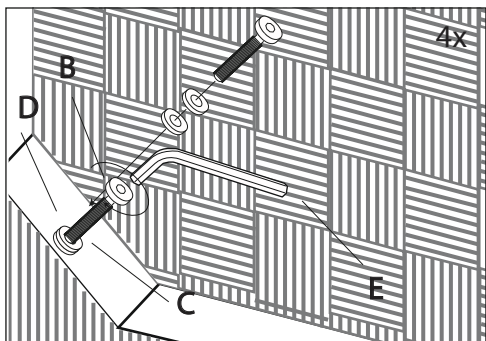
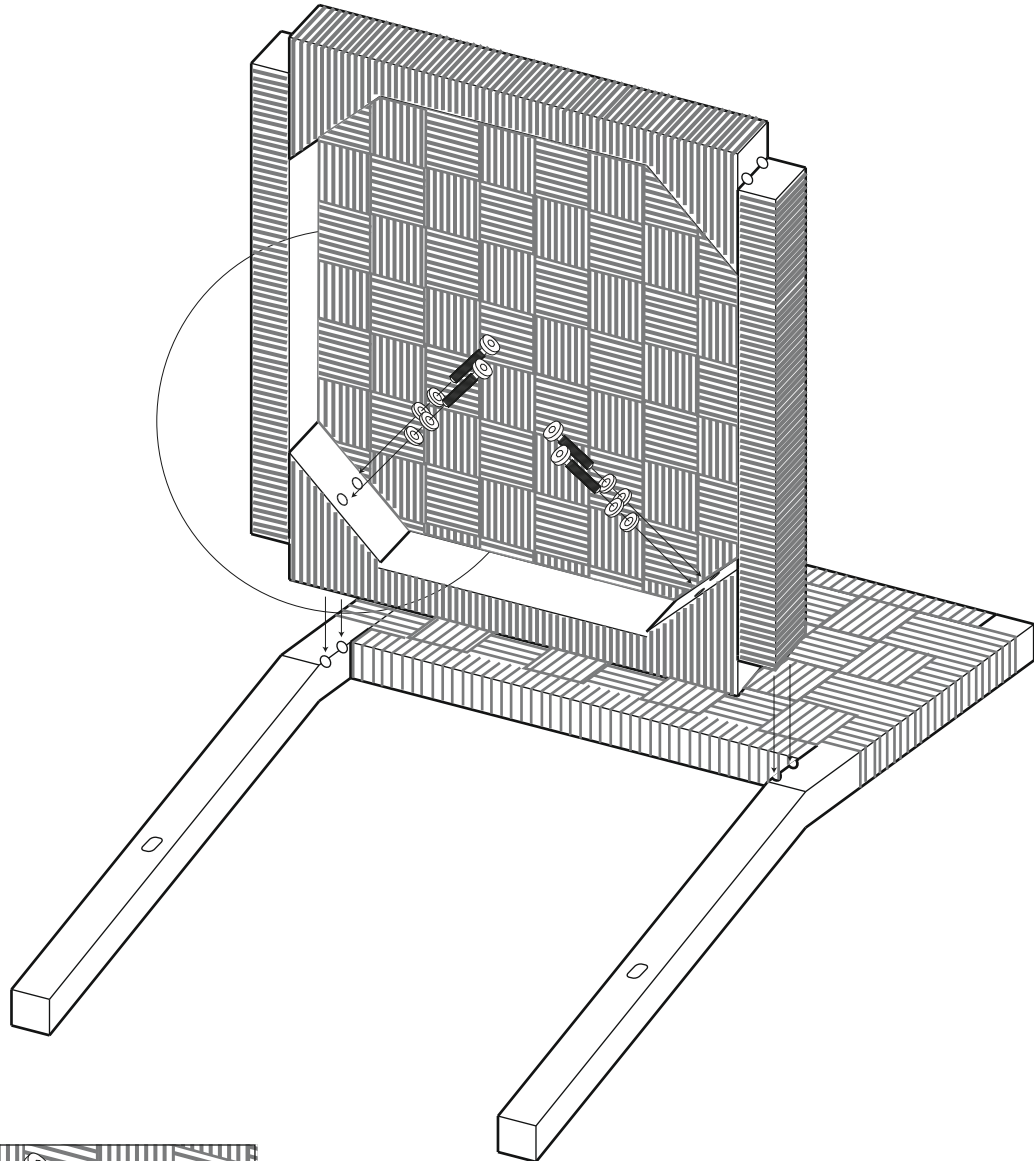
! Assemble this item on a soft surface, such as cardboard or carpet, to protect the finish.

<p>A</p>  <p>screw 4x</p>	<p>B</p>  <p>bolt 8x</p>
<p>C</p>  <p>lock washer 8x</p>	<p>D</p>  <p>metal washer 8x</p>
<p>E</p>  <p>allen key 1x</p>	

west elm : woven wood chair

assembly instructions

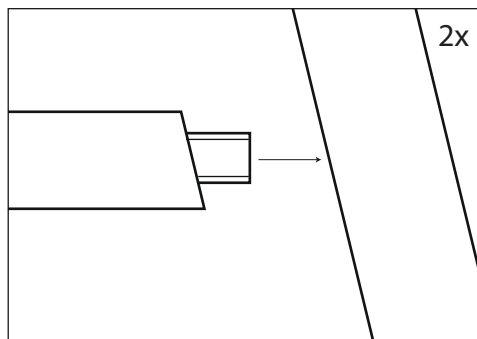
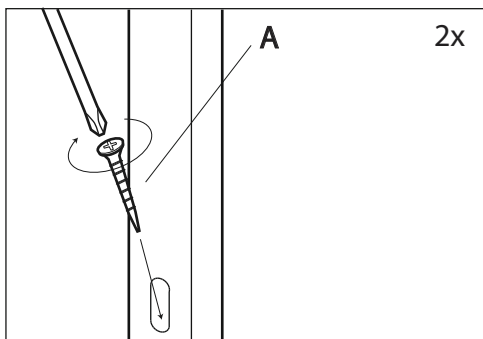
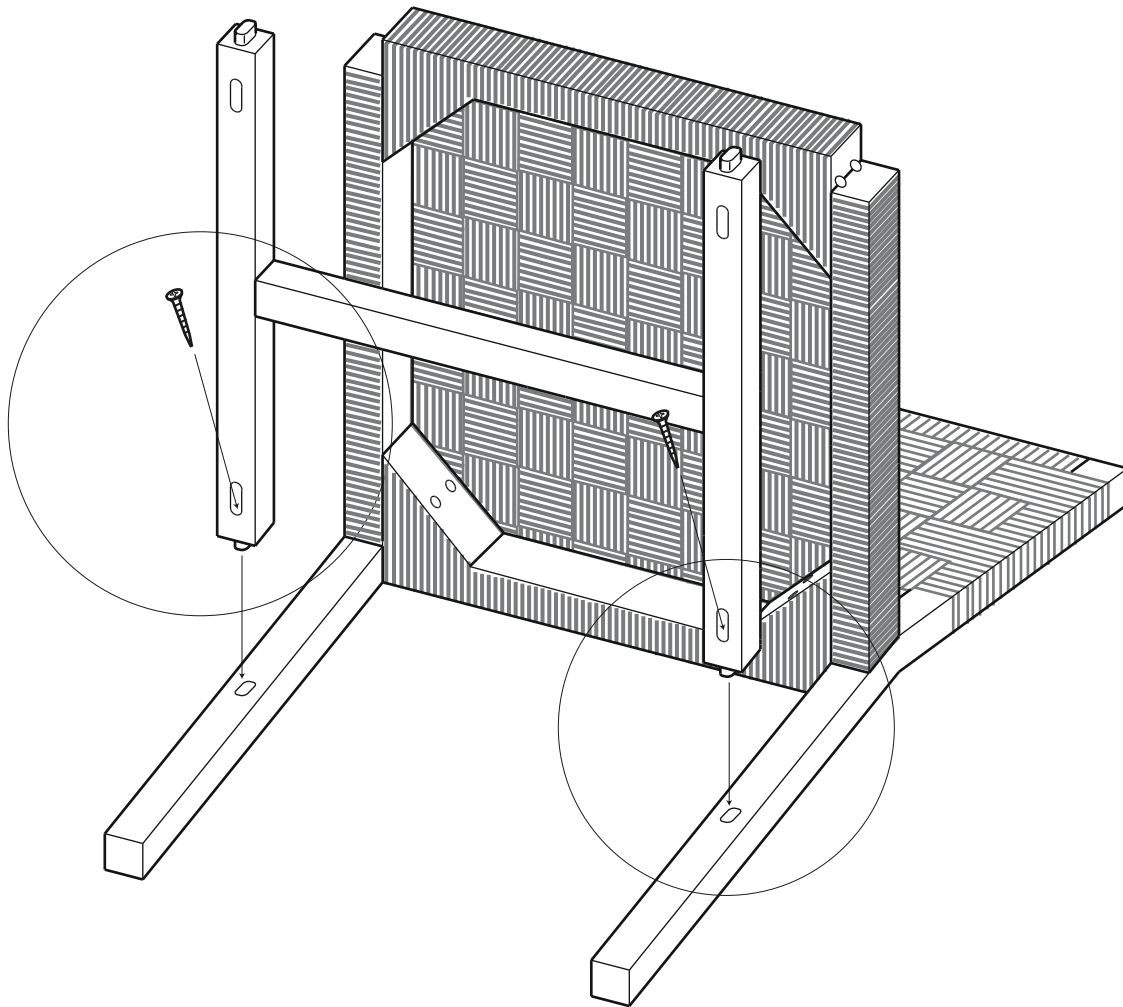
1. Attach the seat by inserting bolt (B) through lock washer (C) and metal washer (D) and into pre-drilled holes in back legs as shown. Tighten with allen key (E).



west elm : woven wood chair

assembly instructions

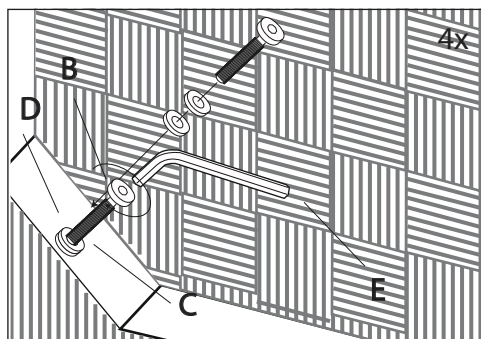
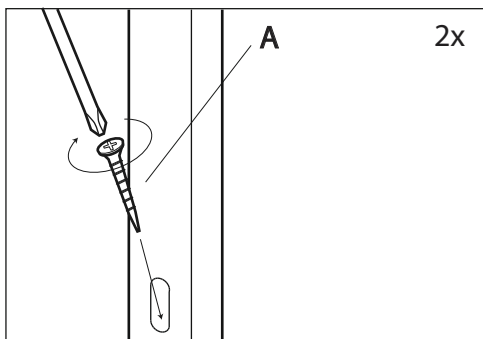
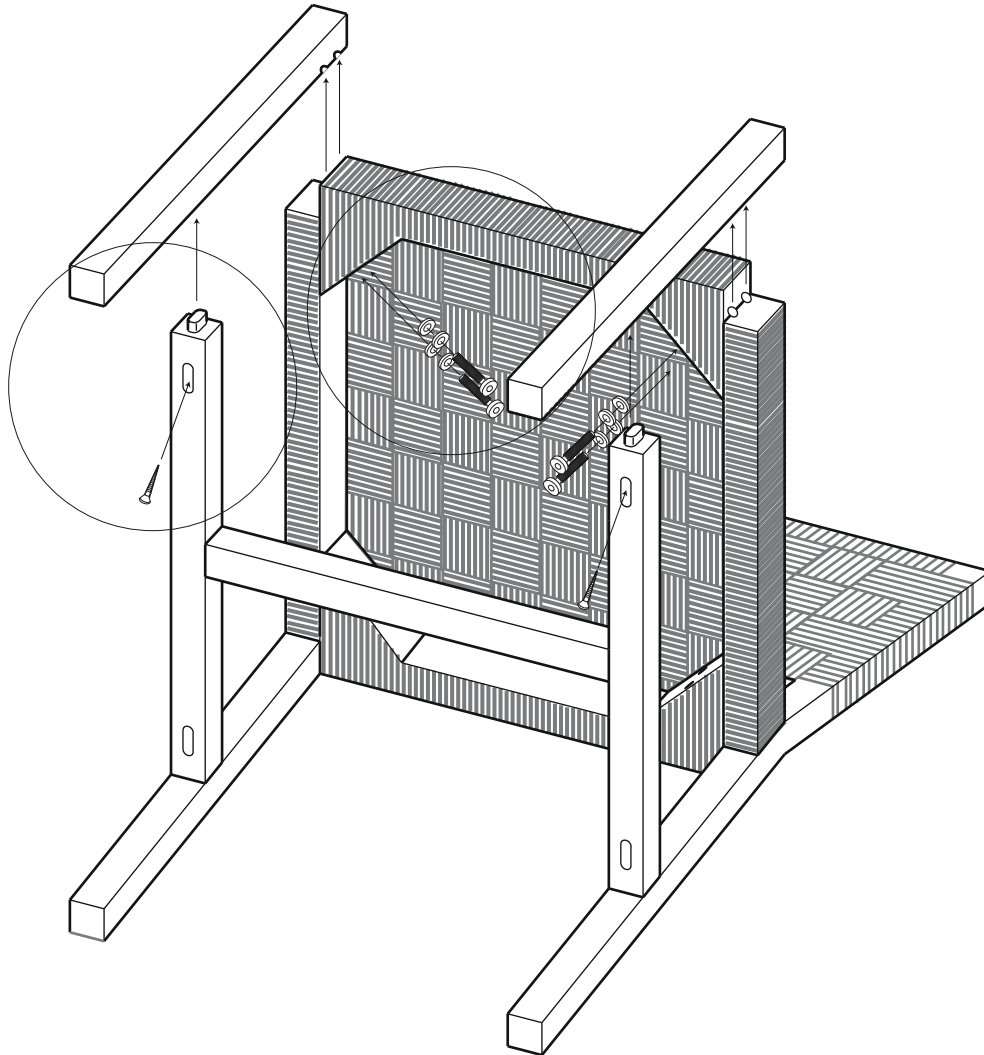
2. Attach the leg-braces by inserting them into the pre-drilled openings in the back leg as shown. Take care to insert the end of the leg brace with the angled end into the back legs of the chair as shown. Next, insert screws (A) through pre-drilled holes in leg-braces and into pre-drilled holes in back legs as shown. Tighten with philips head screwdriver.



west elm : woven wood chair

assembly instructions

3. Attach the front legs by positioning the openings on the back side of the legs over the cross-braces as shown. Next, insert screws (A) through pre-drilled holes in leg-braces and into pre-drilled holes in back legs as shown. Tighten with philips head screwdriver.
4. Fasten the front legs to the seat by inserting bolt (B) through lock washer (C) and metal washer (D) and into pre-drilled holes in front legs as shown. Tighten with allen key (E).



CARE INSTRUCTION

Hardware may loosen over time. Periodically check that all connections are tight.

Wipe with a soft, dry cloth. To protect finish, avoid the use of chemicals and household cleaners.

Use a soft brush on the woven portion.