

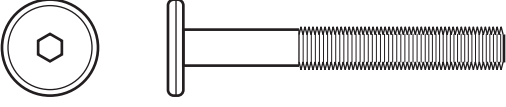
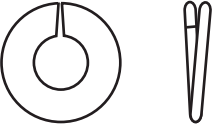
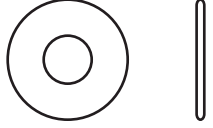
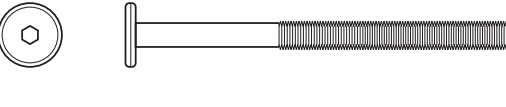
! Tools supplied:

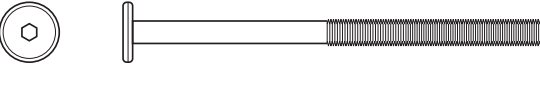


! Do not throw away packaging materials until assembly is complete.

! Assemble this item on a soft surface, such as: cardboard or carpet to protect finish.

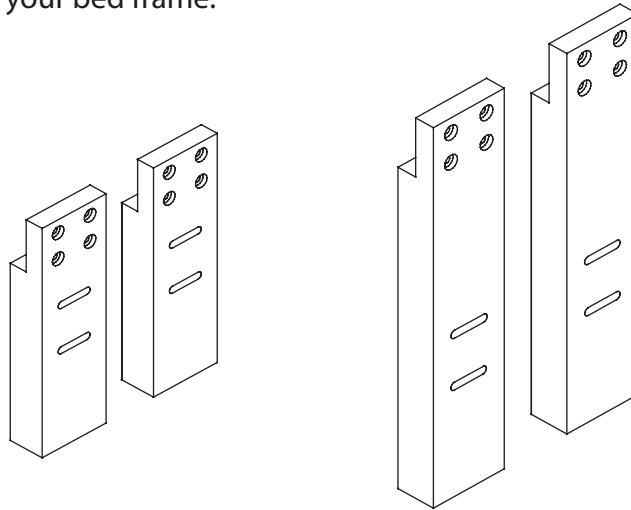
! Proper assembly of this item requires 2 people.

Parts

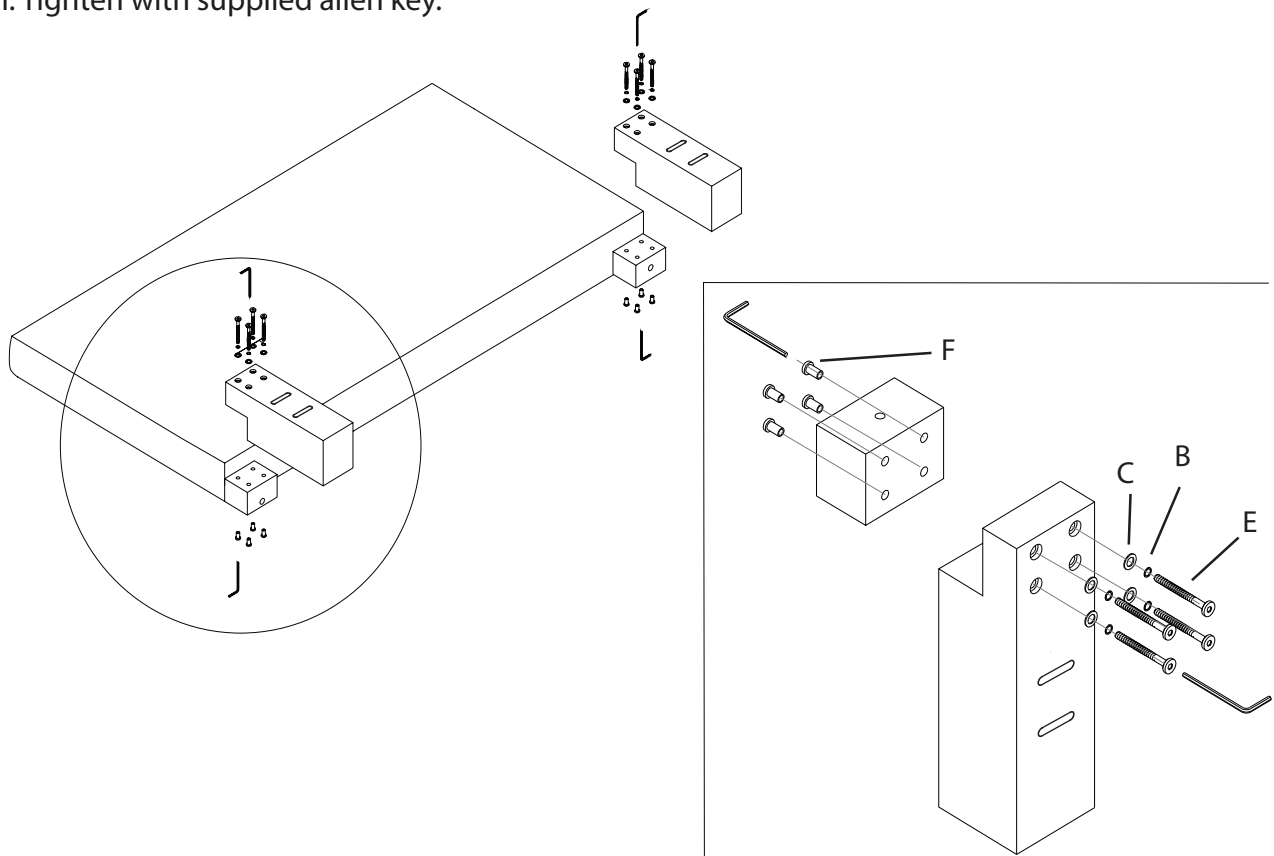
<p>A</p>  <p>bolt 6mm x 70mm 4x</p>
<p>B</p>  <p>lock washer 16x</p>
<p>C</p>  <p>flat washer 16x</p>
<p>D</p>  <p>bolt 6mm x 90mm 4x</p>

<p>E</p>  <p>bolt 6mm x 63mm 8x</p>
<p>F</p>  <p>cap nut 8x</p>
<p>G</p>  <p>nut 4x</p>

1. Choose the legs that match your bed frame.

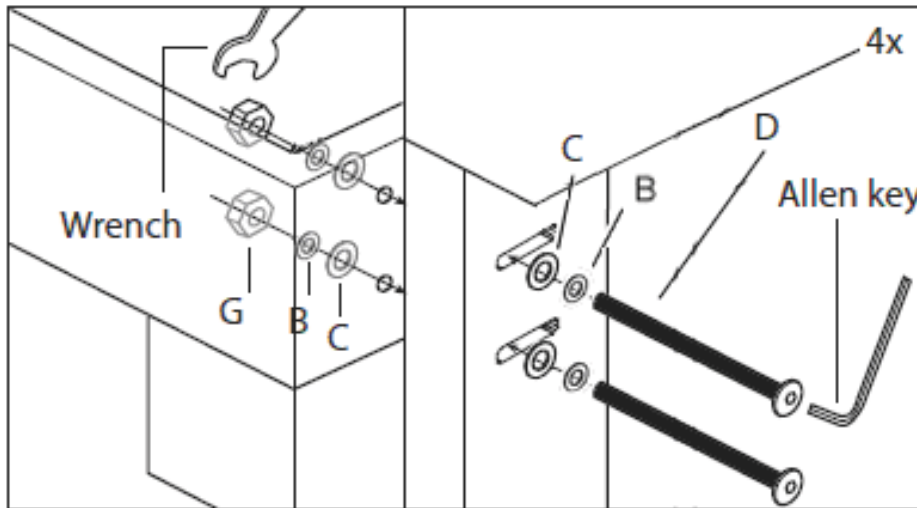
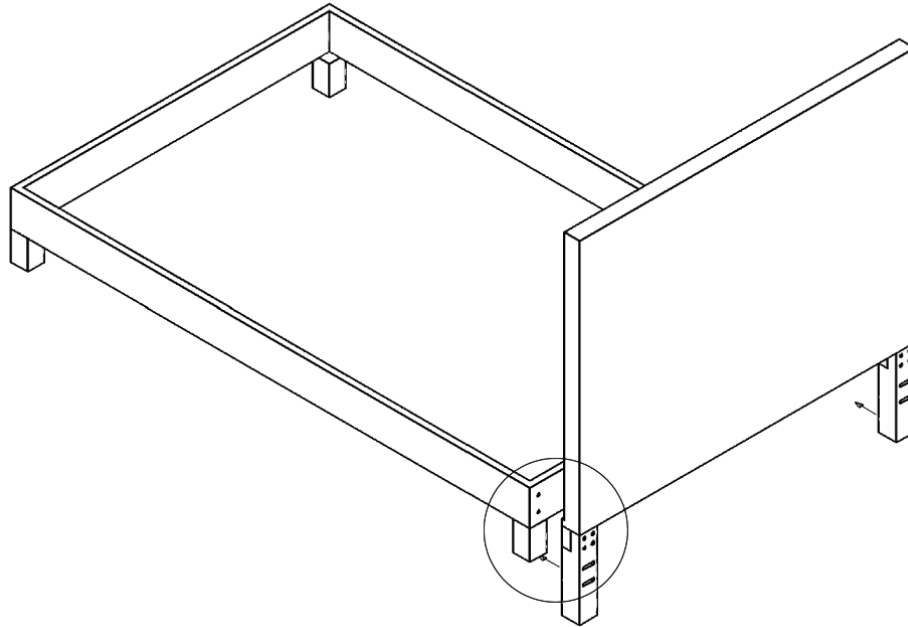


2. Fasten legs to the headboard using bolt (E), lock washer (B), flat washer (C), and cap nuts (F), in order as shown. Tighten with supplied allen key.



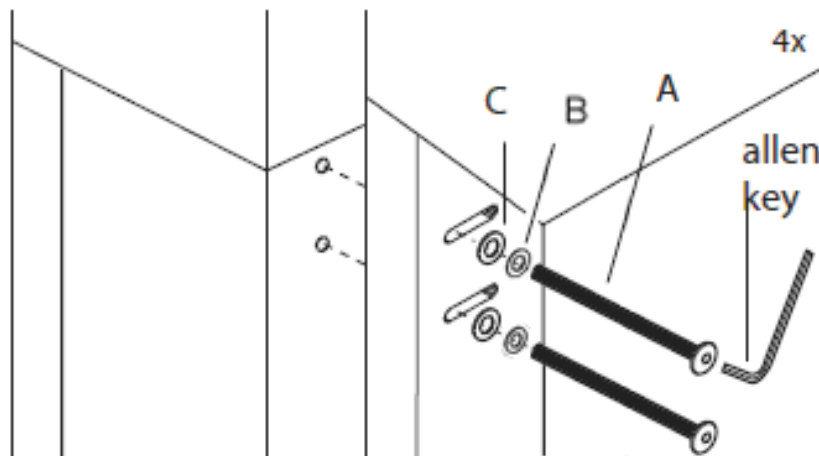
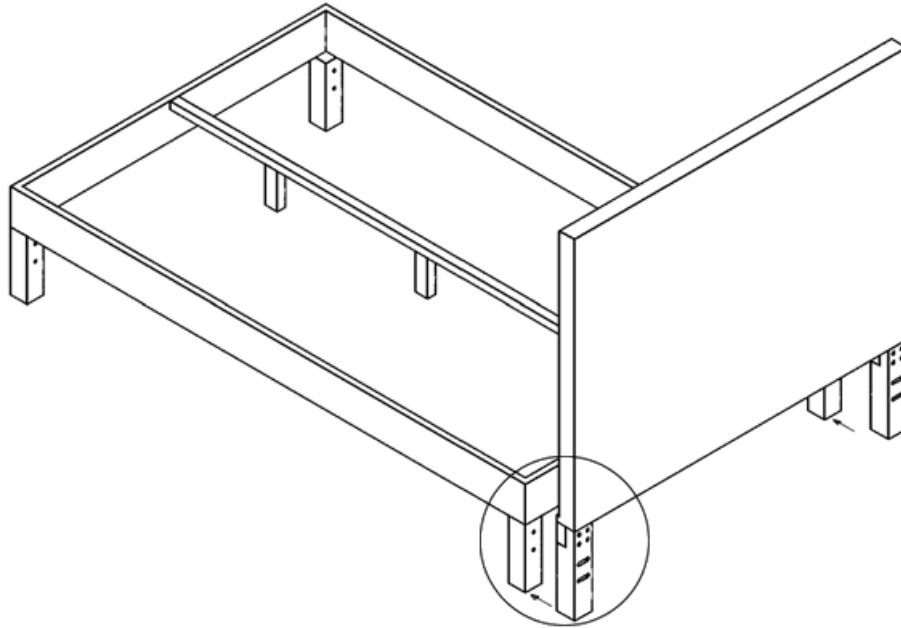
Attaching the headboard to the west elm wood bed frame.

1. Align hardware as shown and tighten with supplied tools.



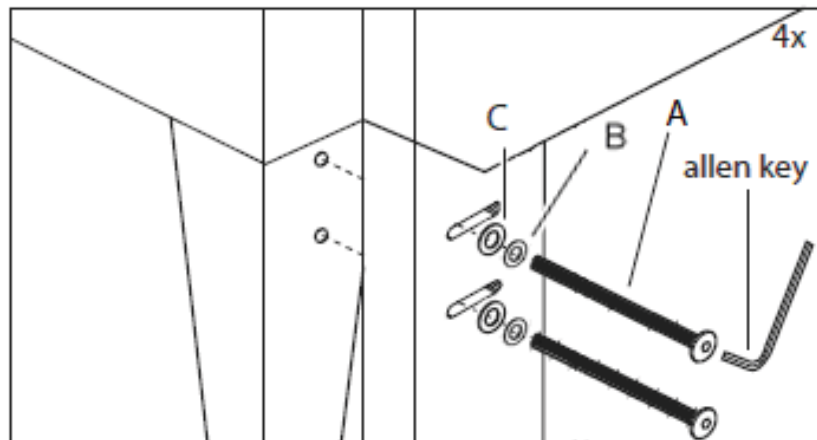
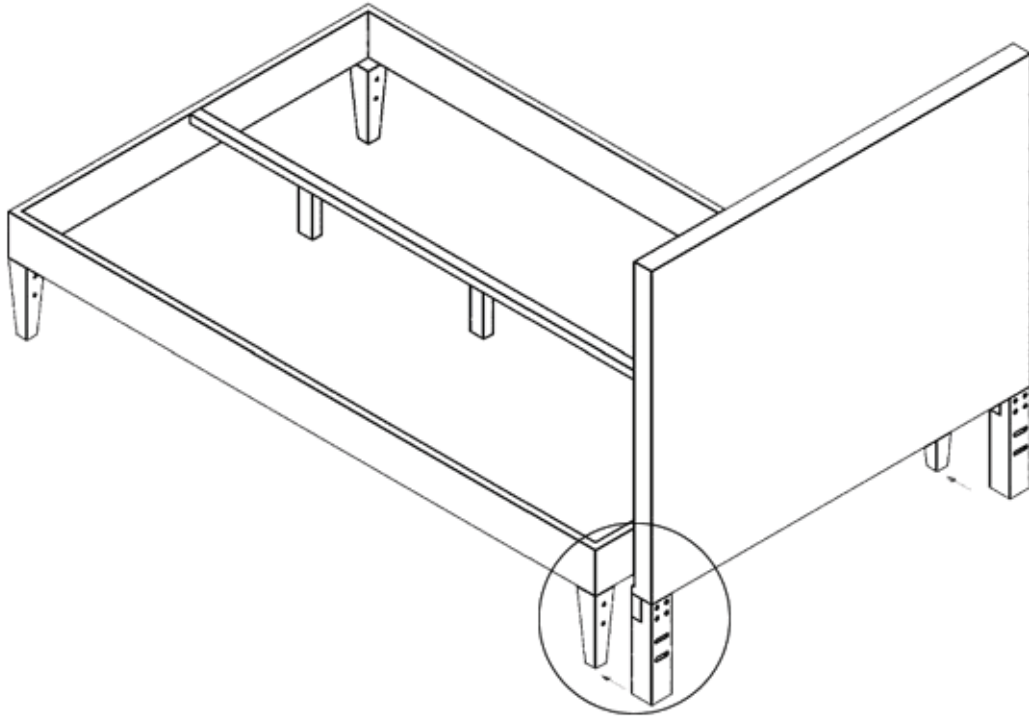
Attaching the headboard to the tall wood bed frame.

1. Align hardware as shown and tighten with supplied tools.



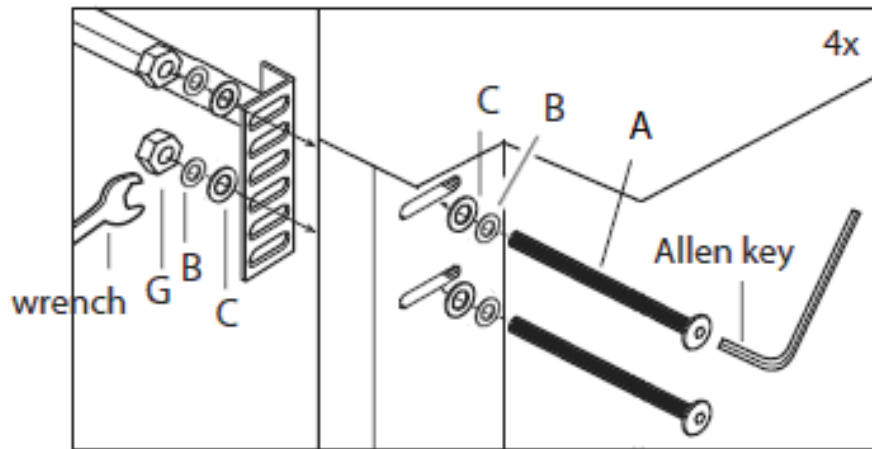
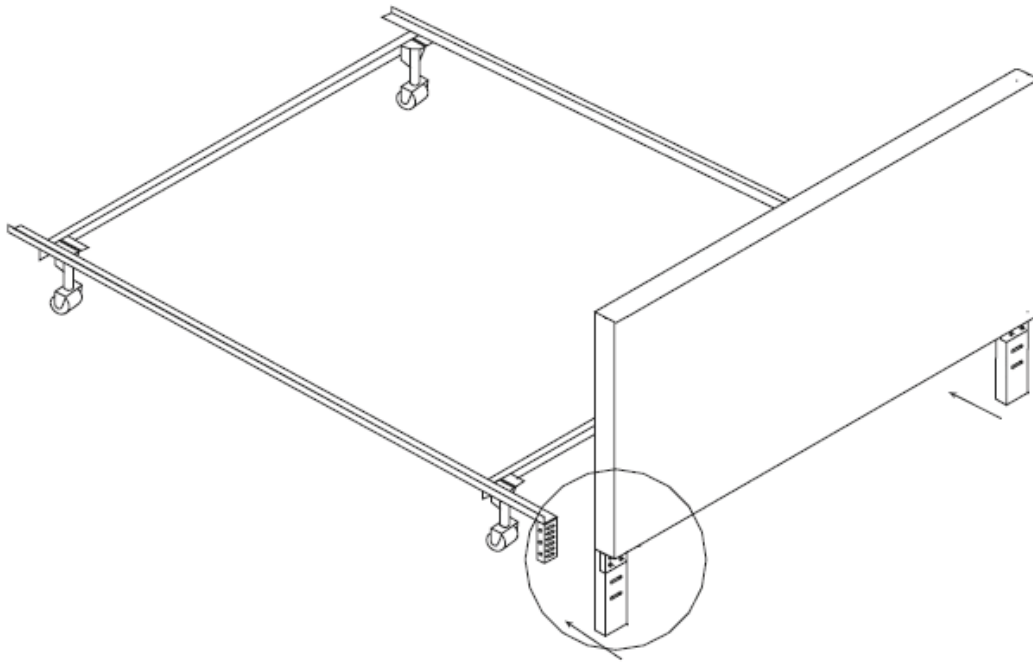
Attaching the headboard to the narrow leg bed frame.

1. Align hardware as shown and tighten with supplied tools.



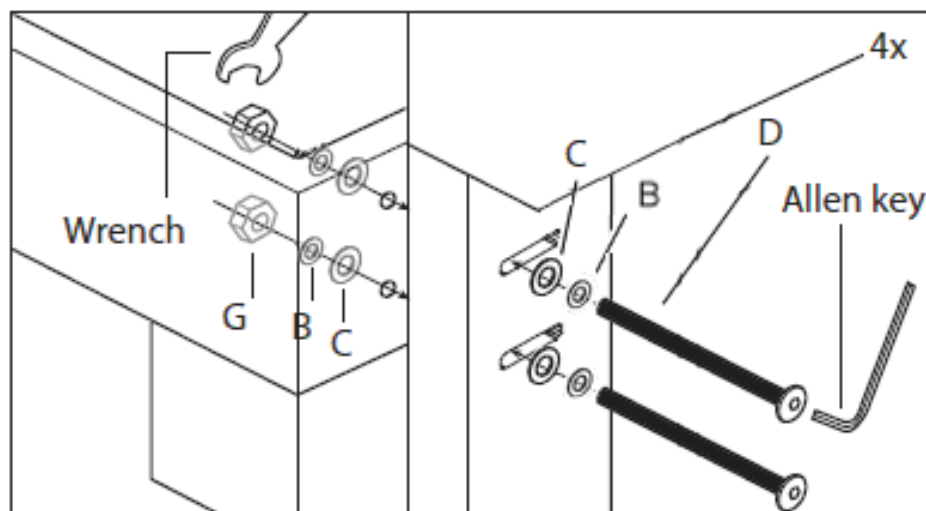
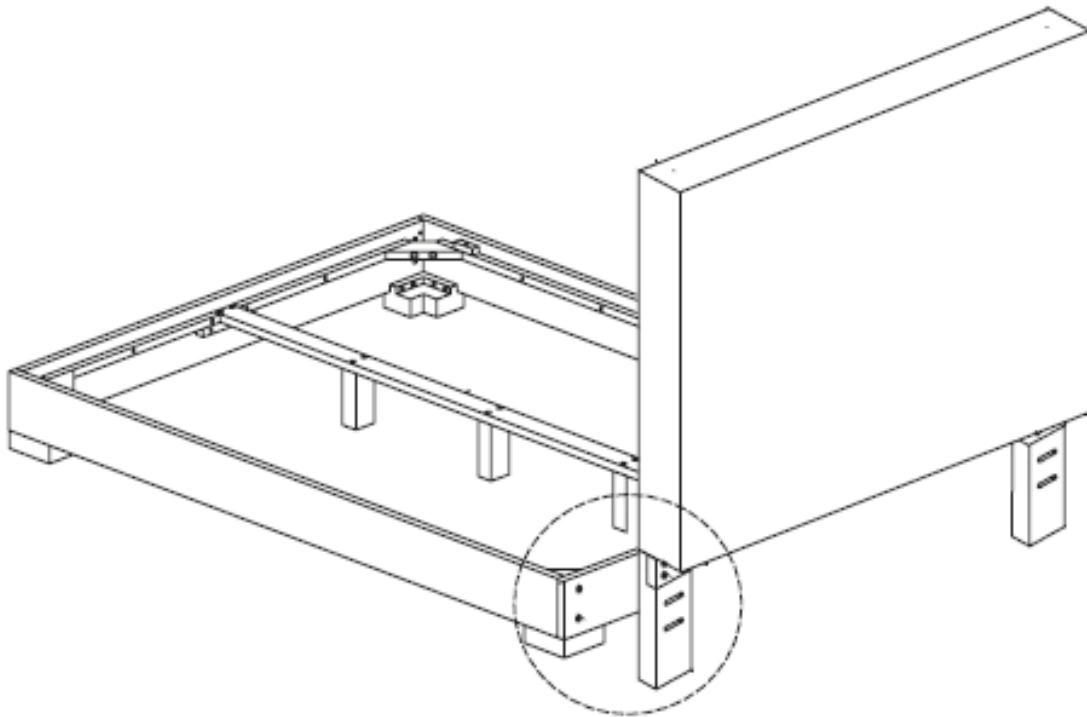
Attaching headboard to metal bed frame for box spring and mattress.

1. Align hardware as shown and tighten with supplied tools.



Attaching the headboard to the chunky wood bed frame.

1. Align hardware as shown and tighten with supplied tools.



CARE INSTRUCTIONS

Hardware may loosen over time. Periodically check that all connections are tight.

Wipe with a soft, dry cloth. To protect finish, avoid the use of chemicals and household cleaners.