


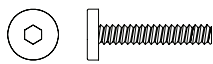



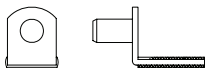


! Tools required: 

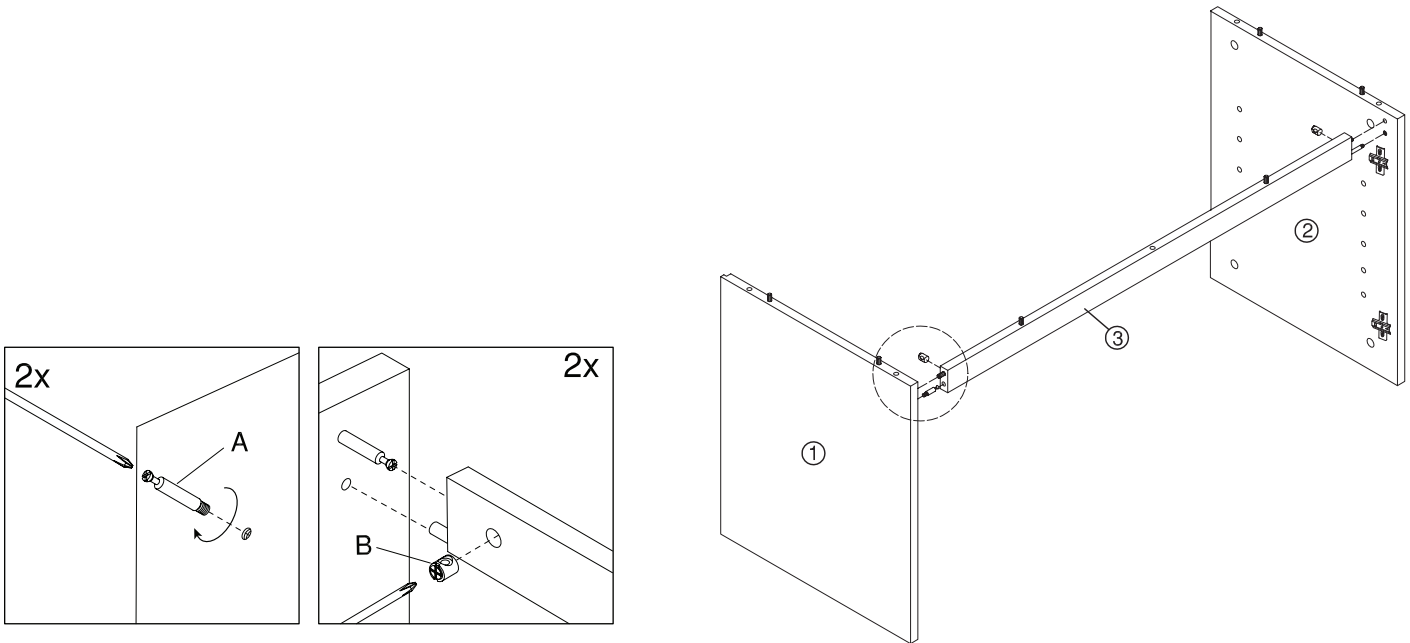
! Do not throw away packaging materials until assembly is complete.

! Assemble this item on a soft surface, such as cardboard or carpet, to protect finish.

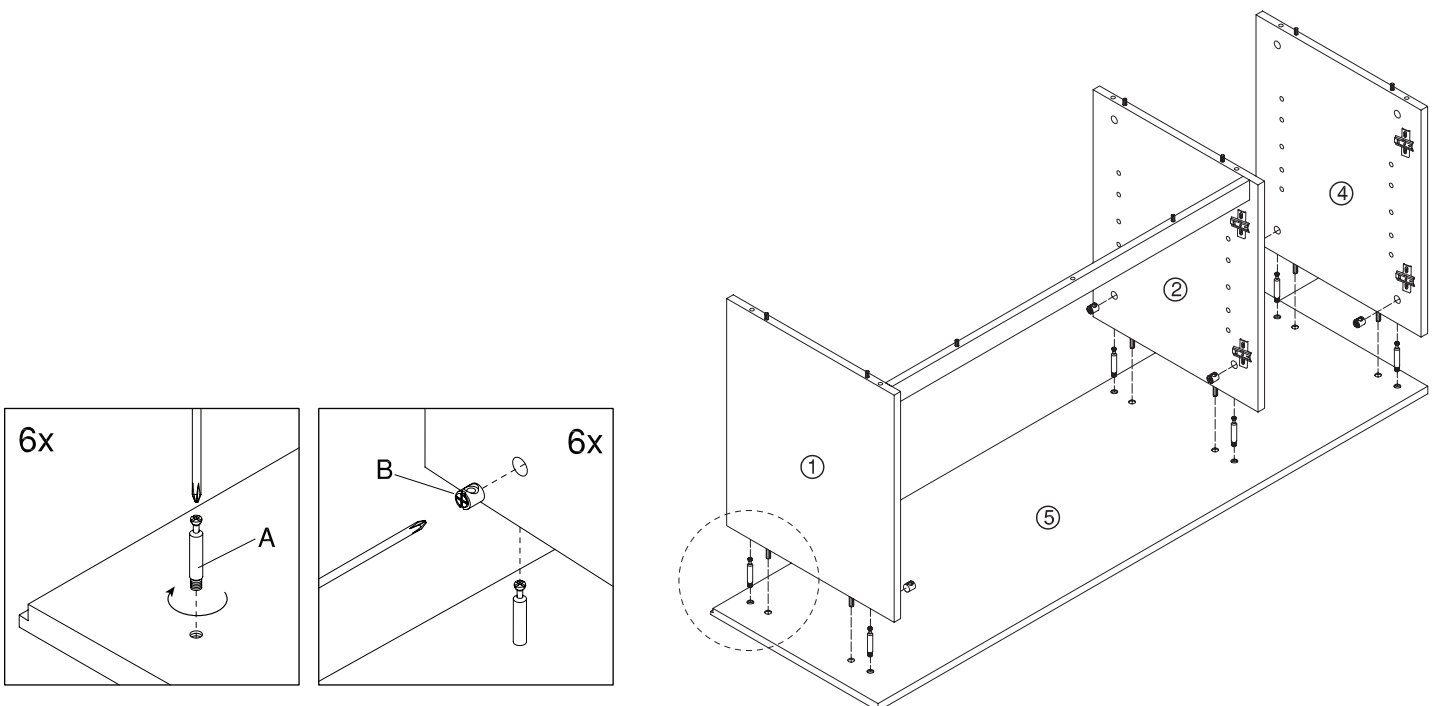
! Proper assembly of this item requires 2 people.

<p>A</p>  <p>cam bolt: M6 * 51mm 15x</p>	<p>B</p>  <p>cam lock: M15 * 14mm 15x</p>
<p>C</p>  <p>short screw: dia 3 * 19mm 32x</p>	<p>D</p>  <p>large bolt: 8mm dia by 38mm 6x</p>
<p>E</p>  <p>flat washer: 8mm dia by 19mm 6x</p>	<p>F</p>  <p>lock washer: 8mm 6x</p>
<p>G</p>  <p>allen key 8mm</p>	<p>H</p>  <p>shelf support 16x</p>

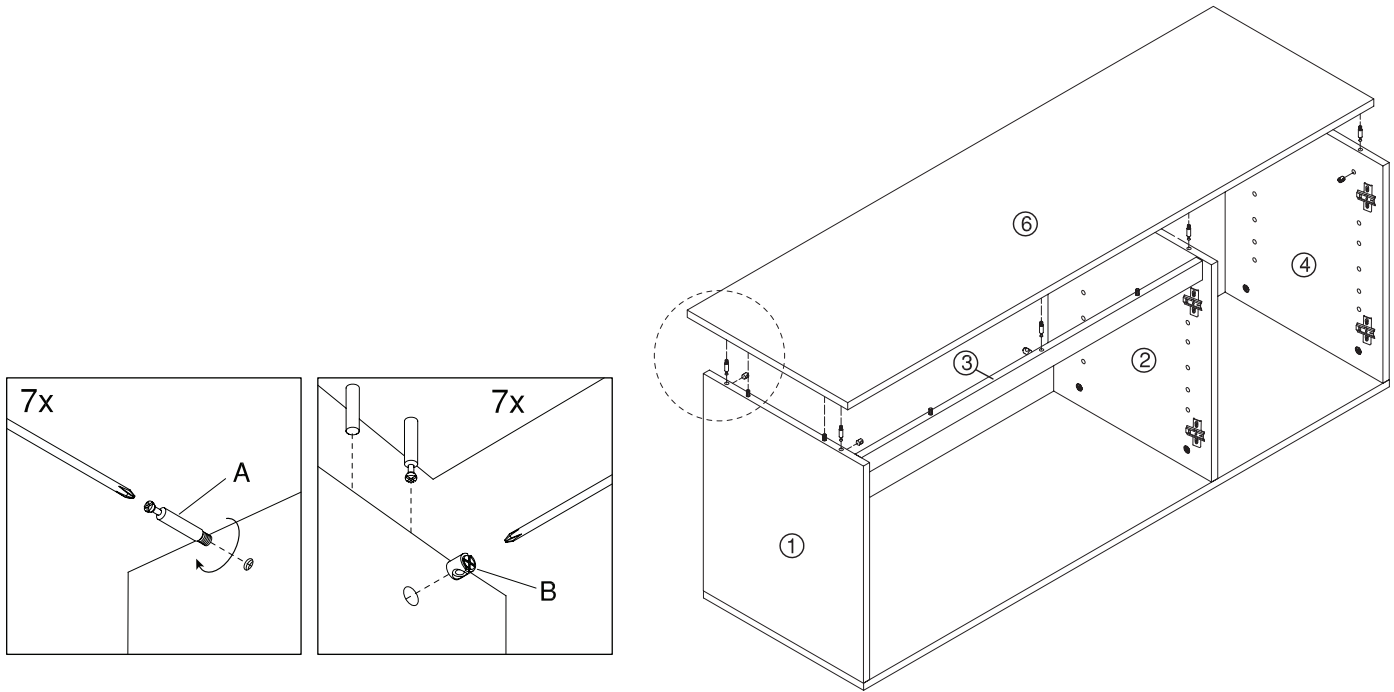
1. Insert cam bolts (A) into left end panel (1) and partition (2) as shown and tighten with a phillips screwdriver.
2. Set cam locks (B) into cross brace (be sure holes in cam locks always face toward the outside edge of panel to fit into cam bolt). Fit side panels into cross brace and tighten cam locks with a phillips screwdriver.



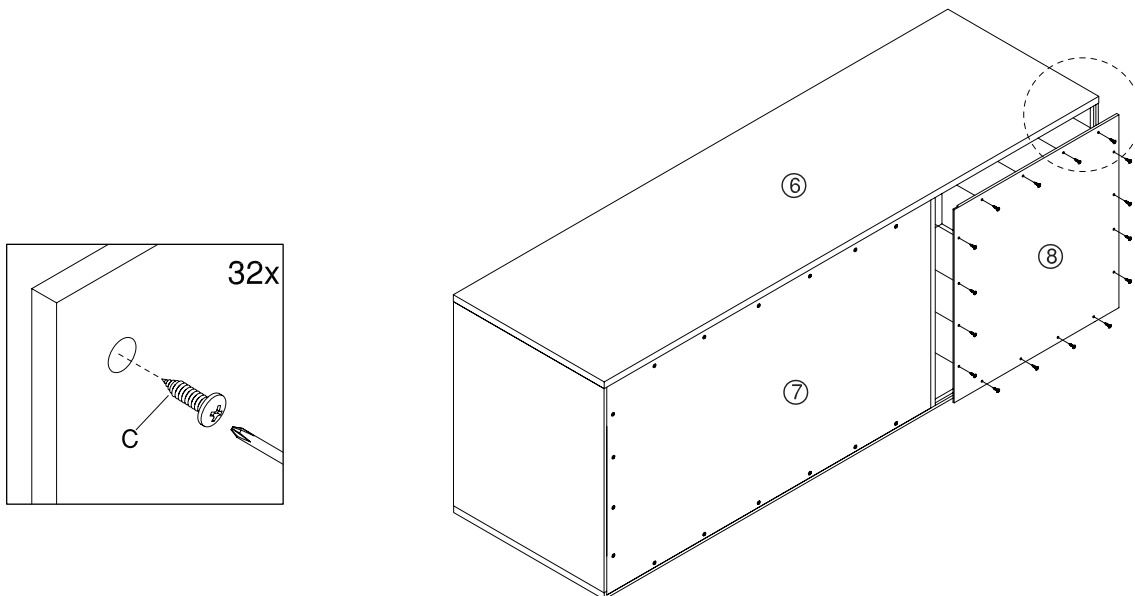
3. Insert cam bolts (A) into bottom panel (5) as shown and tighten with a phillips screwdriver.
4. Set cam locks (B) into end panels and partition. Fit end panels and partition into bottom panel and tighten cam locks with a phillips screwdriver.



5. Insert cam bolts (A) into top panel (6) as shown and tighten with a phillips screwdriver.
6. Set cam locks (B) into end and partition. Fit end panels and partition into top panel and tighten cam locks with a phillips screwdriver.

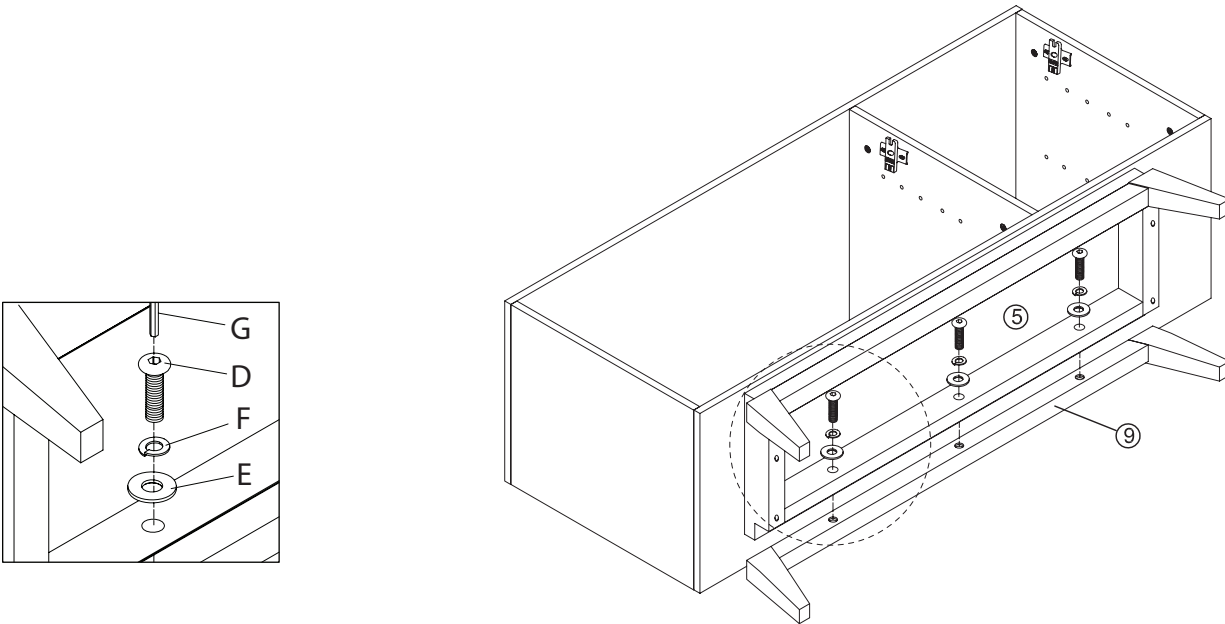


7. Move to back side of case. Fasten back panels (7) & (8) in place as shown using short screws (C) as shown. Tighten screws with a phillips screwdriver.

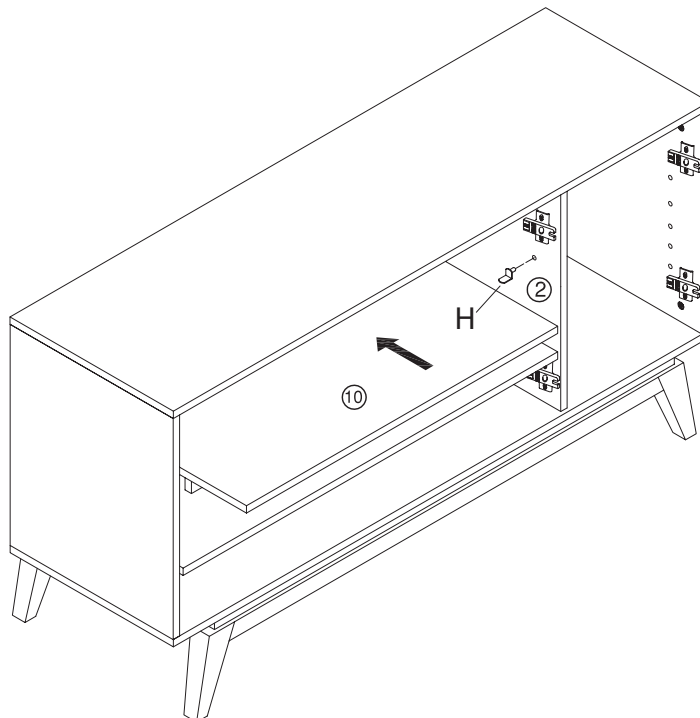


8. When finished attaching back panels, turn case on back (two persons required) to attach legs to base.

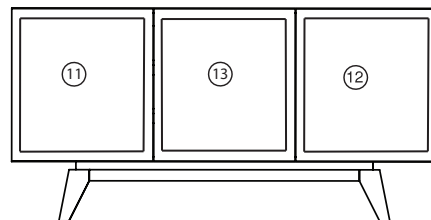
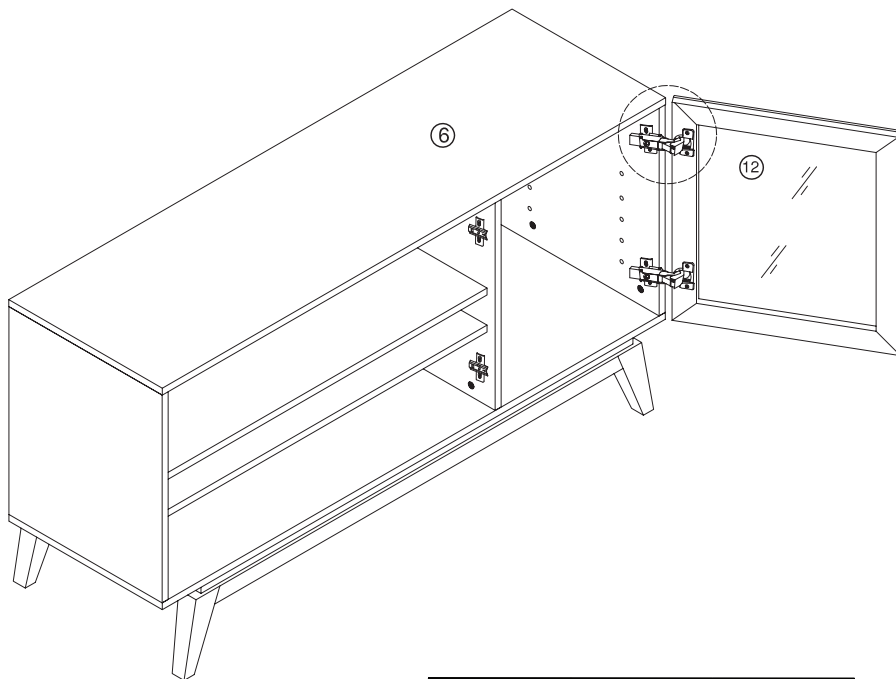
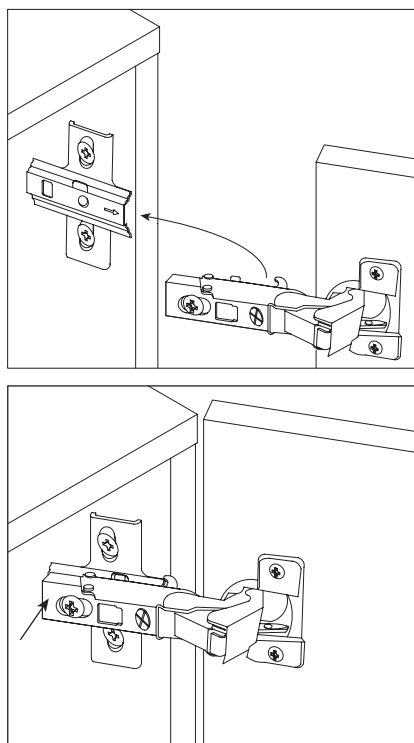
9. Fasten legs to base using large bolts (D), lock washers (F), and flat washers (E) in order as shown. Tighten bolts using allen key (G).



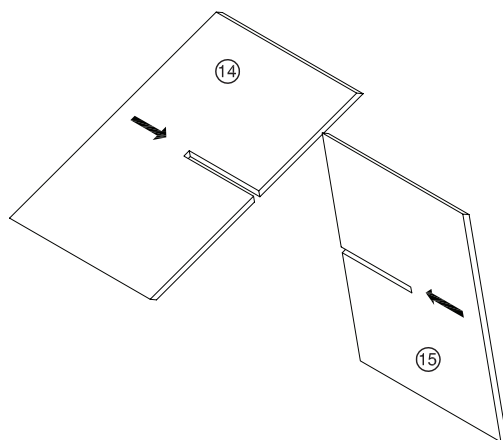
10. Insert shelf supports (H) at desired locations and set in shelves.



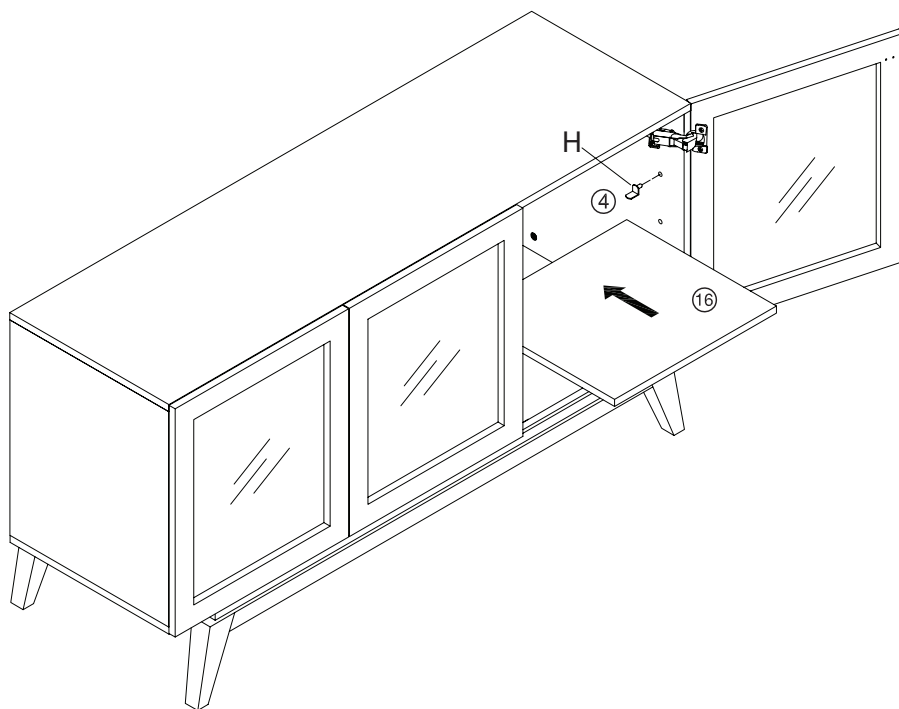
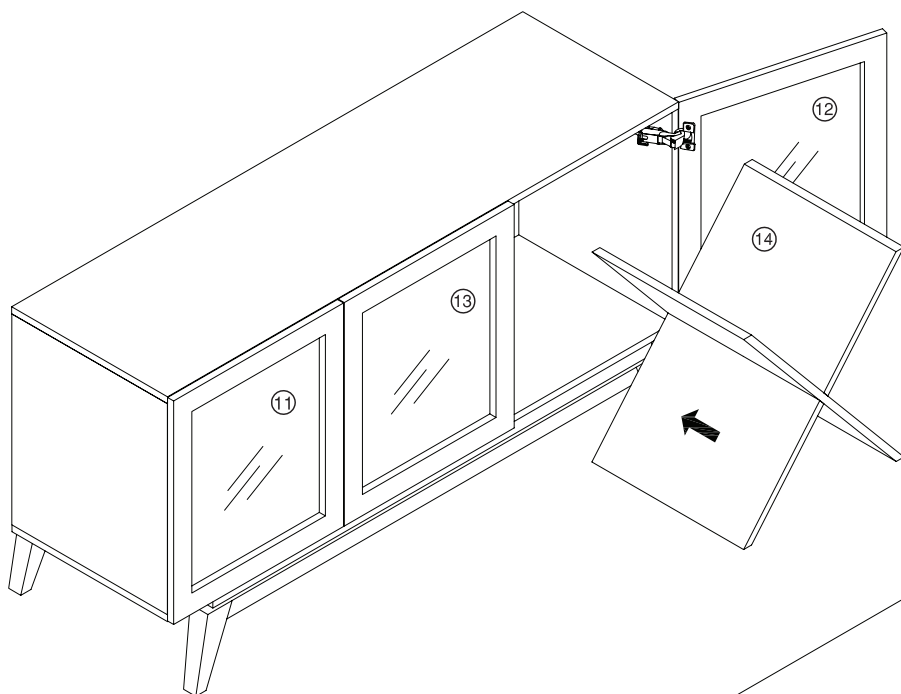
11. Connect doors (11) (12) & (13) to cabinet panels by snapping hinges together as shown.



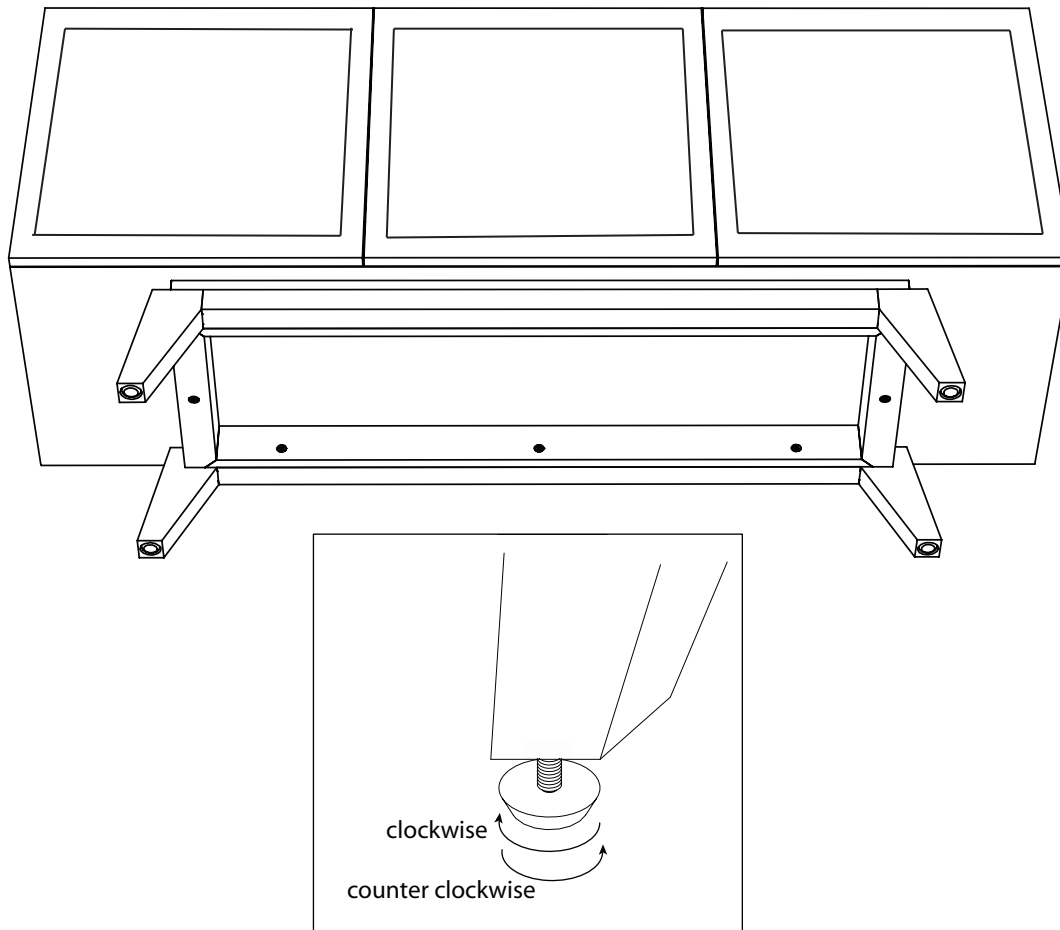
12. Fit together angled shelf panels as shown if desired for use.



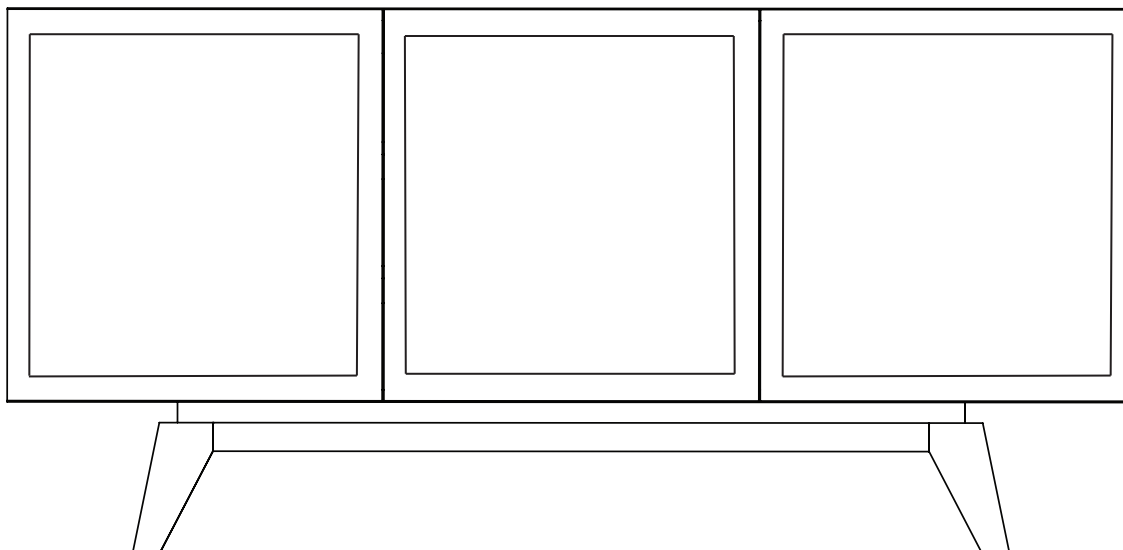
13. Set angled shelf assembly into cabinet, or insert shelf supports (H) and set in flat shelf.



14. In order for proper fitting of doors, case must be level. Adjust levelers in feet as needed by turning counterclockwise to lower and clockwise to raise.



****case MUST be level****



15. Hinges are adjustable. A combination of these adjustments may be necessary to level doors.

FOR SIDE adjustment (adjusting the gap between doors and leveling doors)

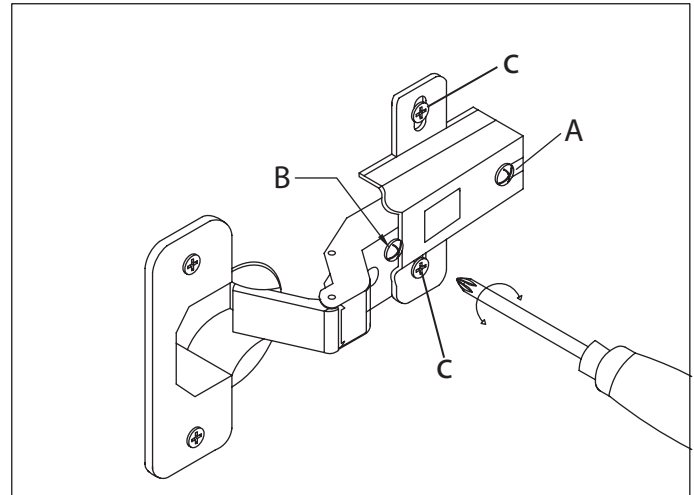
1. Adjust gap by turning screw B

FOR DEPTH adjustment (adjusting how close the doors rest against the cabinet):

1. Loosen screw A .
2. Adjust depth.
3. Re-tighten screw A .

FOR HEIGHT adjustment

1. Loosen screw C (both screws)
2. Adjust height.
3. Re-tighten screws.

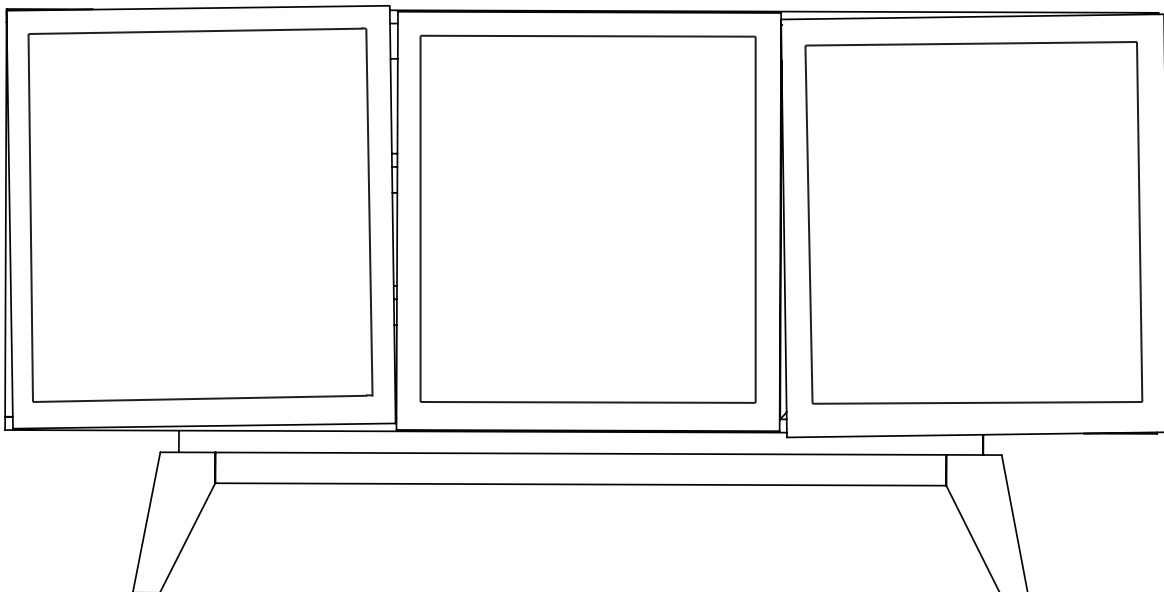


TO ADJUST LEFT DOOR IN BELOW EXAMPLE:

1. Adjust top hinge by turning screw B clockwise
2. Adjust bottom hinge by turning screw B counterclockwise.

TO ADJUST RIGHT DOOR IN BELOW EXAMPLE:

1. Adjust top hinge by turning screw B counterclockwise
2. Adjust bottom hinge by turning screw B clockwise.



CARE INSTRUCTIONS

Hardware may loosen over time. Periodically check that all connections are tight.

Wipe with a soft, dry cloth. To protect finish, avoid the use of chemicals and household cleaners.