

! Tools required: 

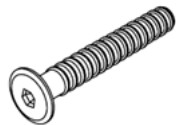
! Do not throw away packaging materials until assembly is complete.

! Assemble this item on a soft surface, such as cardboard or carpet, to protect finish.

! Proper assembly of this item requires 2 people.

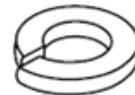
## Hardware

A



bolt m8 x 16mm 10x  
(Full, Queen, King, Cal .King)

B



spring washer m6 x 13mm 10x  
(Full, Queen, King, Cal .King)

C



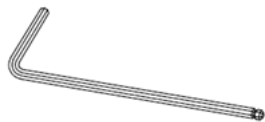
flat washer m6 x 13mm 10x  
(Full, Queen, King, Cal .King)

D



barrel nut m6 x 13mm x6  
(Full, Queen, King, Cal .King)

E



allen key m4 x 110mm 1x

F



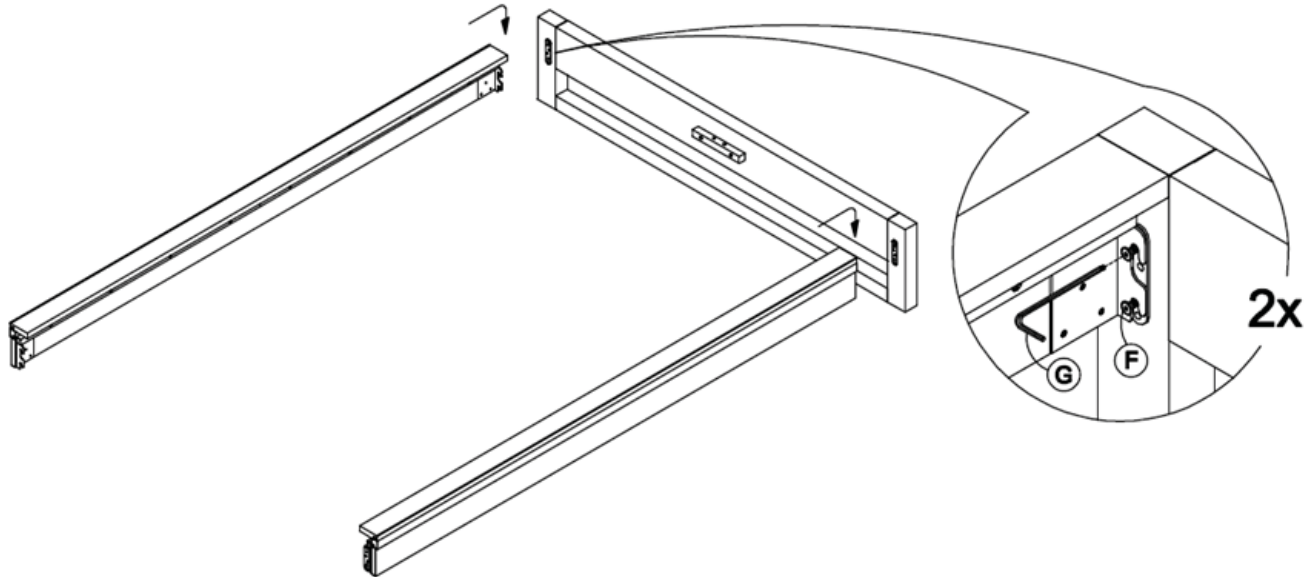
bolt m8 x 16mm 8x  
(Full, Queen, King, Cal .King)

G

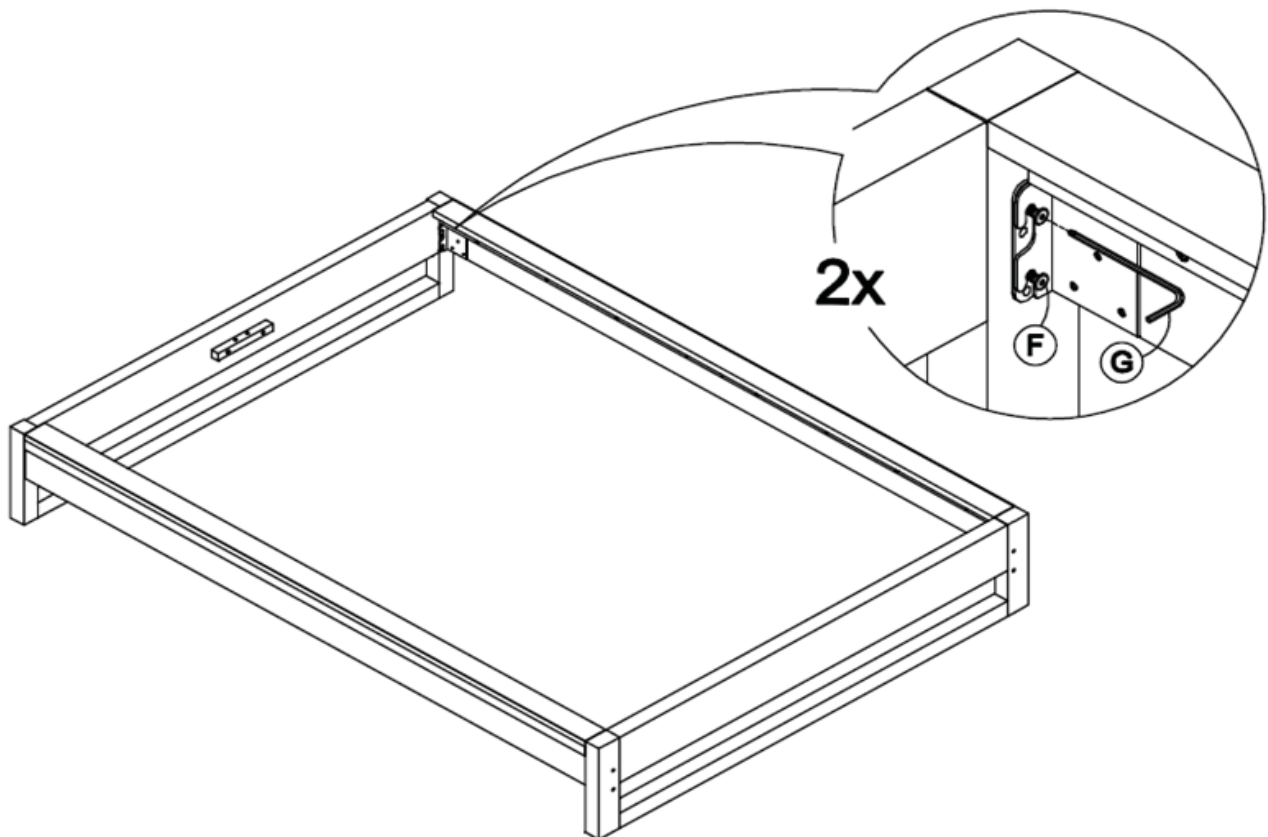


allen key m5 x 110mm 1x

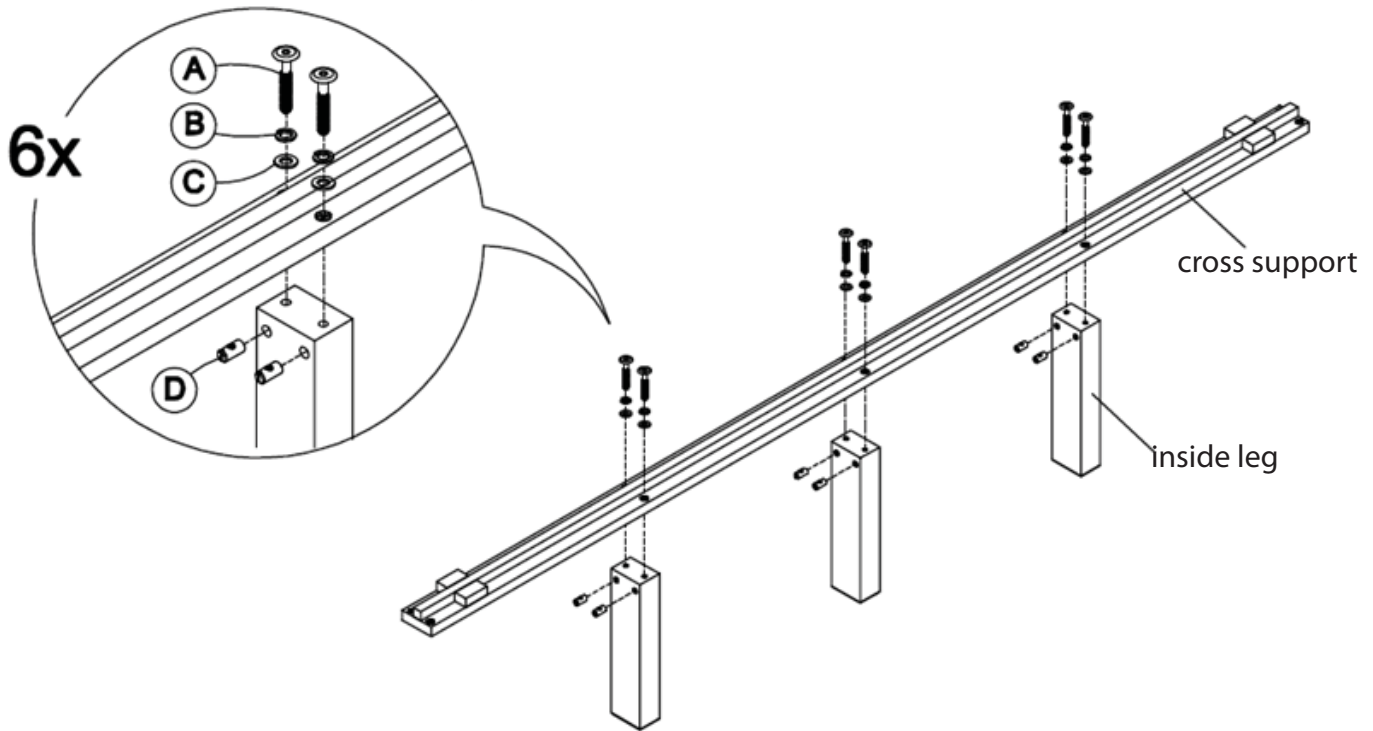
1. insert bolt (F) into the headboard brackets and screw in halfway using m5 allen key (G). Attach side rails by aligning hooks over bolts so that the hooks face inward. Do not completely tighten bolts.



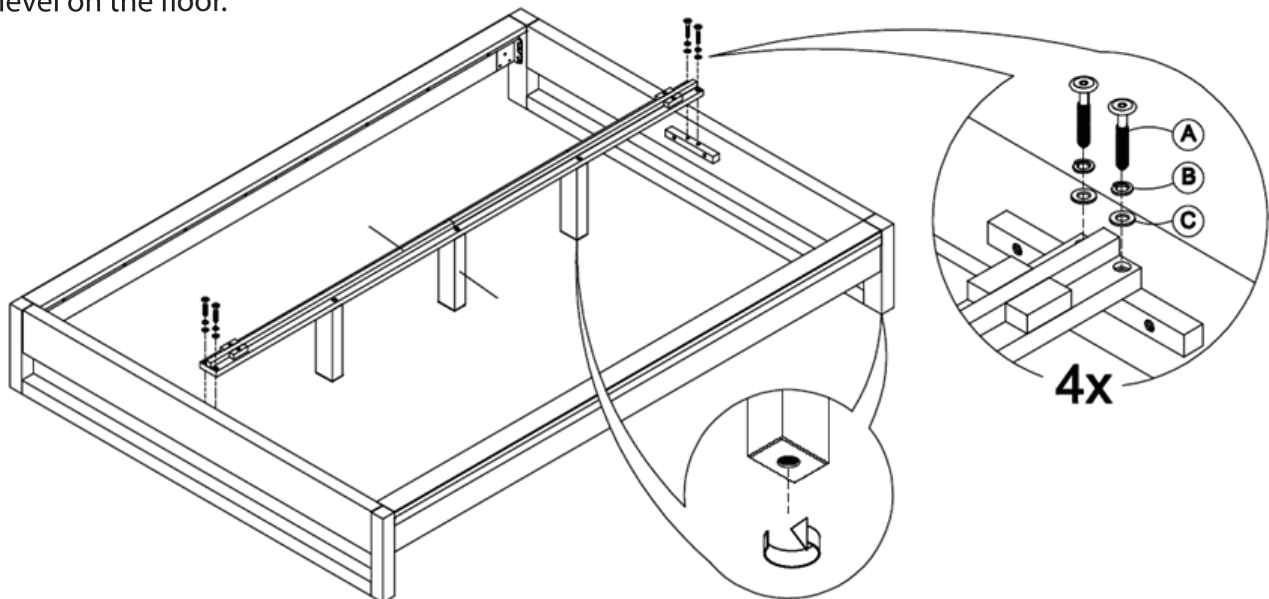
2. Repeat step 1 to attach the footboard to the assembly. Fully tighten all bolts (F) using m5 allen key (G).



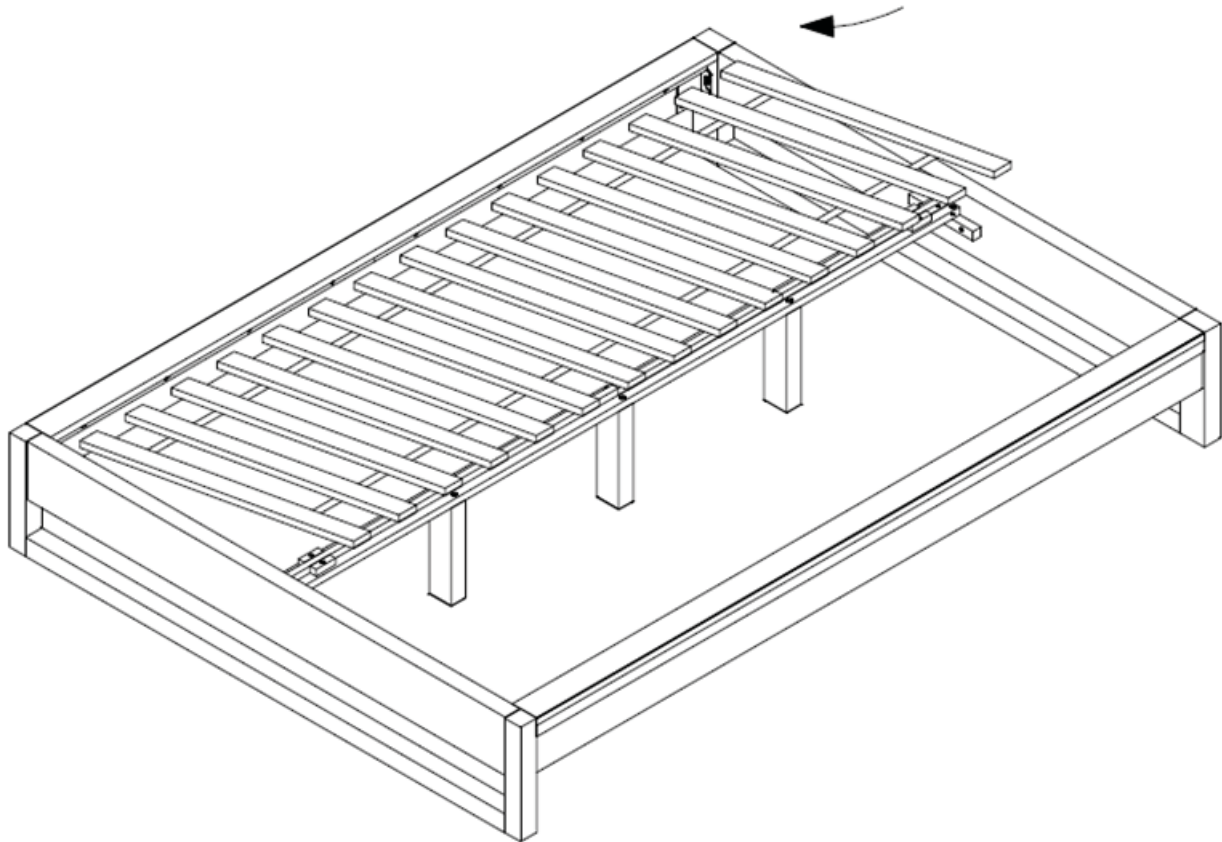
3. Attach the inside legs to the cross support by using bolts (A), spring washers (B), and flat washers (C) as shown below. Insert barrel nut (D) into the pre-drilled holes inside the legs. Thread the bolts (A) into the barrel nuts (D). Tighten with allen key (E).



4. attach the cross support and the inside legs to the frame using bolts (A), spring washers (B), and flat washer (C). Tighten with allen key (E).
5. Adjust the pre-installed levelers under each leg as shown to correctly position to the bedframe so that it is level on the floor.



6. Set slats into frame as shown. Repeat to insert the second set of slats.



CARE INSTRUCTIONS

Hardware may loosen overtime. Periodically check that all connections are tight.  
Wipe with a soft, dry cloth. To protect finish, avoid the use of chemicals and household cleaners.