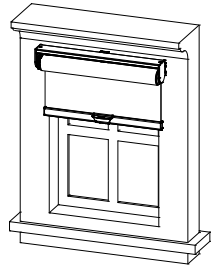


Cordless Roller Shade Installation Instruction



With Raceway

Recommended Tools

- Screw gun / Drill
- Tape Measure
- Screwdriver
- Level
- Pencil



Hardware Included

1. Screws needed for installing

Hardware	Drawing	Usage
1 1/4" Hexagon screw		To install bracket

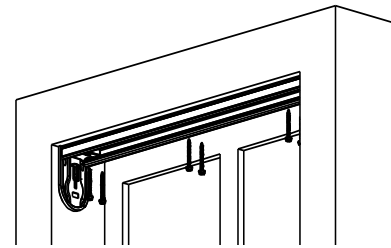
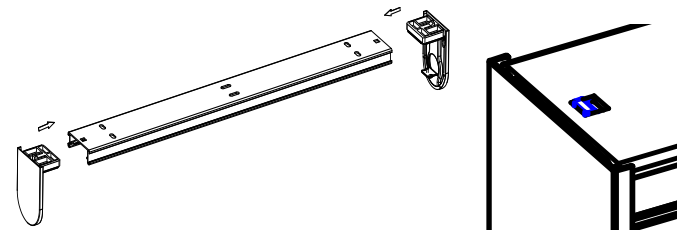
2. Hardware for Roller shade with Raceway System

Hardware	Drawing	Usage
Shade bracket (for flush inside mount)		To install shade (on Clutch end)
		To install shade (on End Plug end)
Mounting bracket (for outside mount)		To install Raceway (on Clutch end)
		To install shade (on End Plug end)
Mid Mounting Bracket (for outside mount)		As support for Raceway when needed. 1 Mid mounting bracket should be attached to the shade when width > 40"
Shade bracket cover		Bracket cover
Valance bracket		To install Valance (mounted on raceway)
Valance clip		To install Valance (placed on Valance)
Handle		For Cordless Shades

Shade Bracket Installation

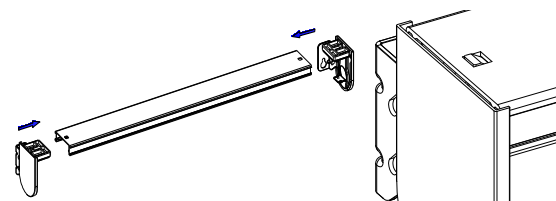
※Installation of Roller Shade with Raceway System (Inside Mount)

Attach the shade brackets and extensions into the two ends of the raceway. Make sure the extension bolt locks into the raceway's dedicated hole. Install the shade and raceway system into the window opening. It is better to screw the middle holes on raceway to make sure the raceway location can be adjusted to left or right, after the raceway has been located at proper position, and then screw other screw holes. Taking care that the distance between the 1st screw and the window edge is at least 3/4".



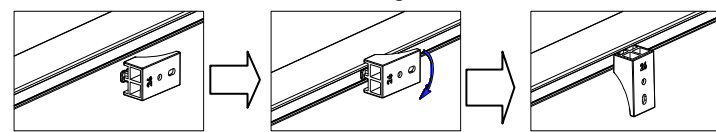
※Installation of Roller Shade with Raceway System(Outside Mount)

Like inside mount, firstly attach the end brackets and extensions into the two ends of the raceway. Make sure the extension bolt locks into the raceway's dedicated hole.

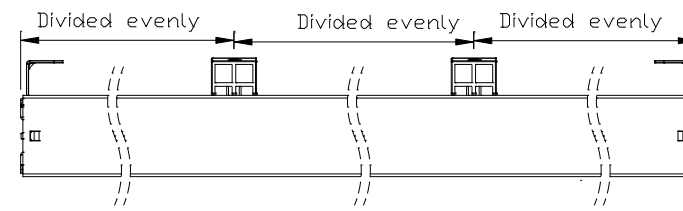
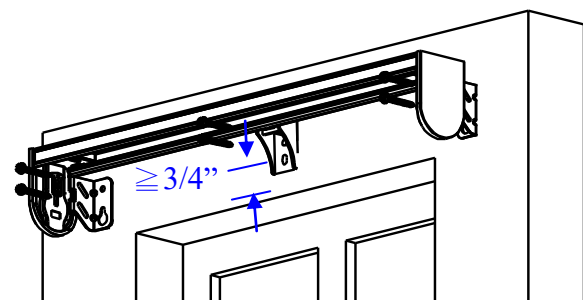


For shade with width > 40", make sure the top groove of the mid mounting bracket hook onto the top of the raceway while the bracket's bottom groove clips into the bottom rib of the raceway, as shown below. Middle brackets should be installed before shade brackets on raceway ends.

Middle Mounting Bracket



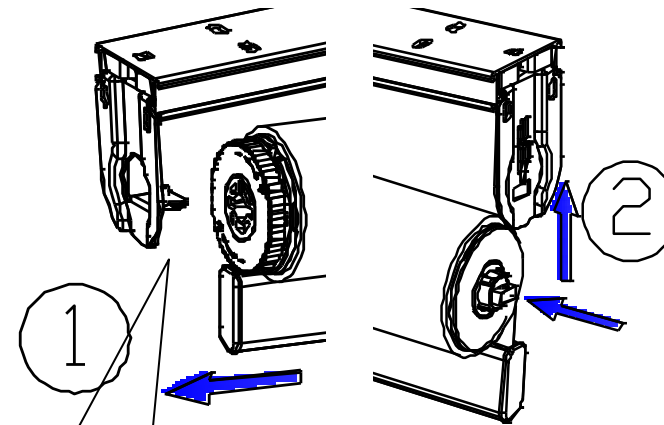
When installing the raceway onto the window opening, the top of each mounting bracket needs to be parallel with the edge of the window frame. The distance from the shade bracket's mounting holes to the front edge of the window frame should be at least 3/4". Make sure all the shade brackets are level and aligned with each other. Each shade bracket will require two 1 1/4" hexagon screws for the installation.



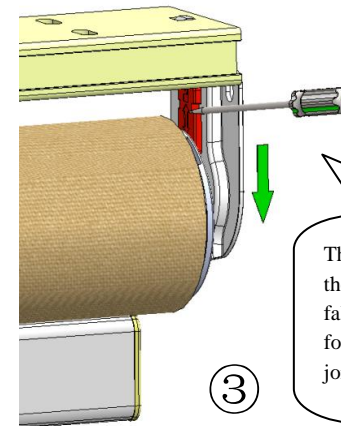
The space between each mounting bracket should be divided evenly as pictured.

Shade Installation and Removal

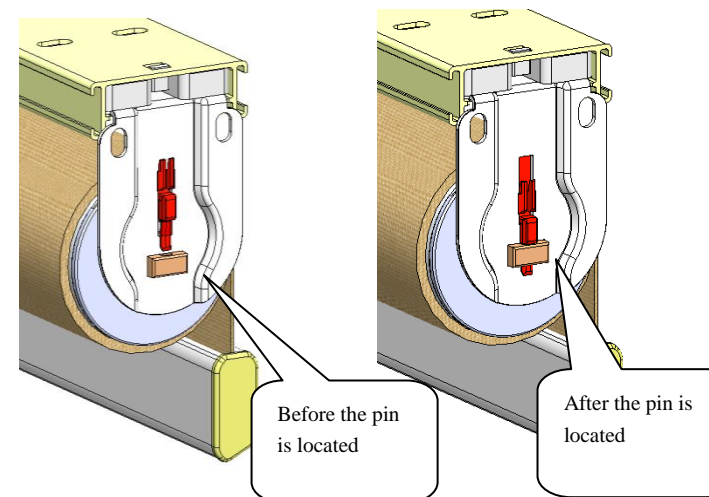
- ① First, insert the Clutch end into the tongue of clutch bracket
- ② Second, press the end plug and insert the End Plug end into the hole of bracket of the other side.
- ③ And then attach bracket covers to brackets and locate the pin. As shown below:



Align Clutch end and Tension Dial end of the shade with the tongue of the clutch bracket



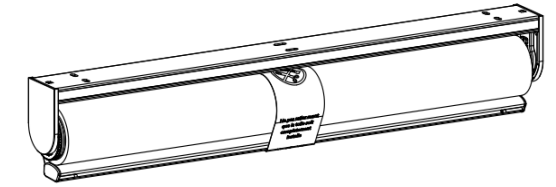
The bracket covers must be attached to the bracket to prevent the shade from falling. Locate the pin, which can be found on the bracket cover, and use it to join the bracket pieces and the shade.



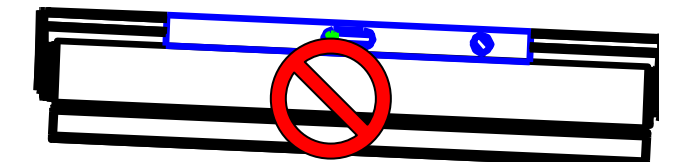
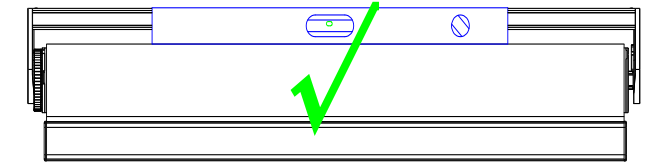
Before the pin is located

After the pin is located

④ Finally, remove the paper band from the shade by hand.

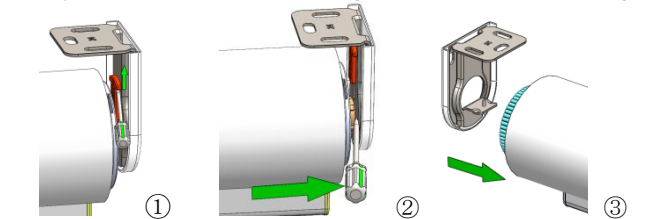


Shade Installation Tips: After shade is installed into shade brackets, use a Level to check if the tube of shade is horizontal; if not, please adjust the position of shade brackets to keep the tube level.



※Removal of Roller Shade with Raceway System

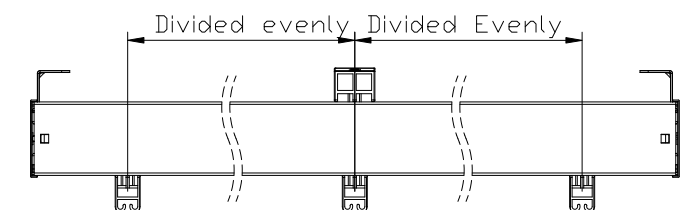
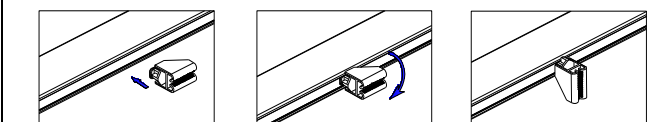
- Use a tool to push the lock pin on end plug bracket upward ①
- Use tool to draw back the end plug from bracket ②
- Finally remove shade from mounting bracket. As shown drawing ③



Fabric Valance Installation

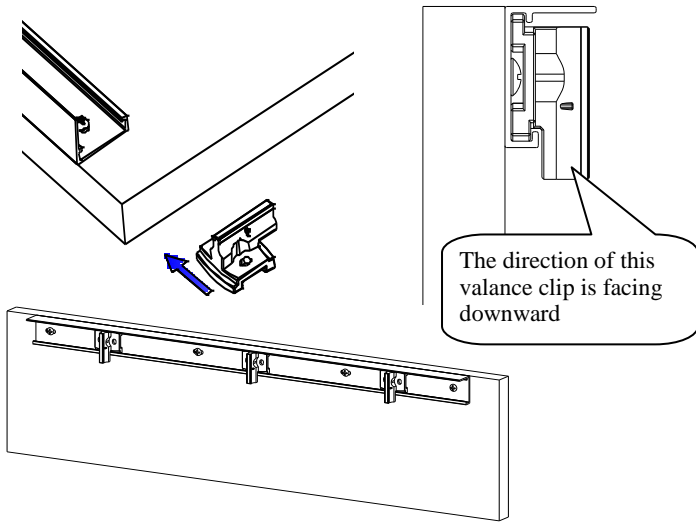
Valance Bracket Installation

After installing the shade and raceway, the brackets for the valance come next. When installing the valance brackets, the mounting brackets must be avoided. Align the valance bracket with the raceway first and then push the bracket onto the raceway. The top groove of the valance bracket should hook onto the top of the raceway while the bracket's bottom groove clips into the bottom rib of the raceway, as shown below. The drawing below shows the valance brackets installed in an ideal position. They are placed far enough apart so that the space is divided evenly, and without interference from the mounting brackets. If the mounting bracket's location conflicts with that of the valance bracket, the valance bracket location should have an offset of 50mm to avoid interference.



Valance Clip Installation

Insert the valance clip into the dedicated groove on the aluminum strip, paying special attention to the direction the valance clip. For a valance, the valance clip should face downwards. For valance, it should face up. The valance clip location should align with the valance bracket as pictured below.

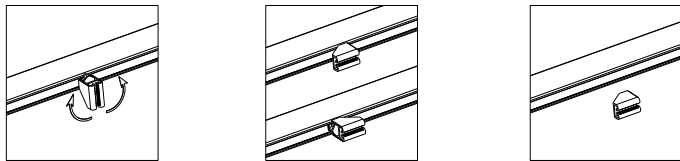


Attach Valance to Raceway

Slide the valance clips to a position on the valance so that they are each aligned with a valance bracket on the raceway, and then push the valance clips into the valance bracket.

Valance Removal

- First, remove Valance together with valance clip from valance bracket.
- Take down shade from mounting bracket before removing valance Bracket from raceway
Turn the valance bracket 90 degree then take off valance bracket from raceway, as shown below

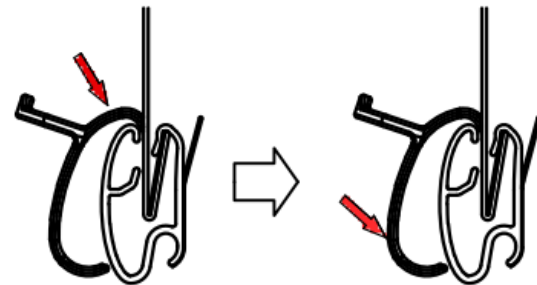
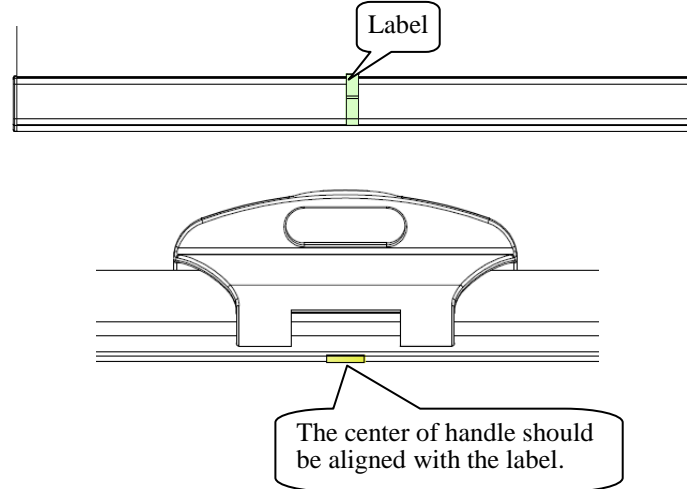


Note: The installation & removal for all valances are the same.

How to install or remove Handle for Cordless Shade

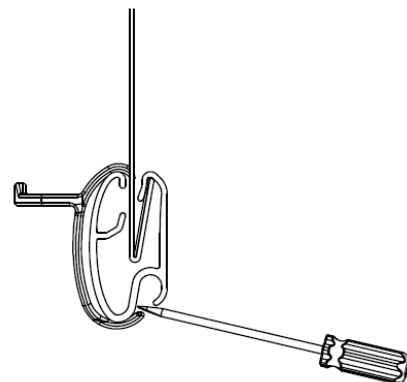
● **Attach Handle to Hem Bar**

- Turn over hem bar and you can see a label attached at the center of hem bar. Align the center of the bottom of handle with the label and hook the handle to the hem bar from top to bottom.
- Press the handle from top to bottom to make the top of handle clip into the hem bar.
- Finally tear off the label from hem bar.



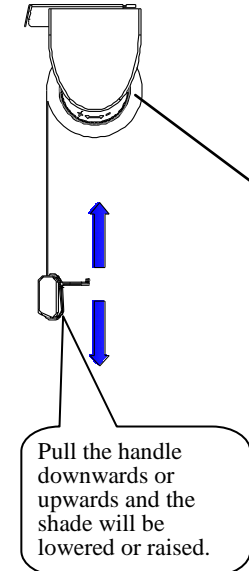
● **Remove handle from hem bar**

Use straight screwdriver to pry the bottom of Handle from hem bar and then handle can be removed.

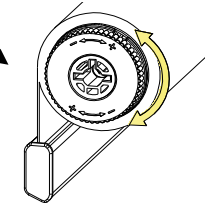


Roller Shade Operation

Cordless Operation



The tension in our cordless roller shades can be adjusted to provide optimal light control and to ensure easy and dependable operation on a variety of window types and sizes. If a cordless shade has been tending to slide down on its own or it fails to roll up, the issue can be easily fixed by turning the adjustment dial towards "+" to increase the tension. Conversely, if the cordless shade cannot stop at the desired height and tends to roll up by itself, the tension can be decreased by turning the adjustment dial towards the "-".



***The blind must be installed on the brackets when adjusting.**