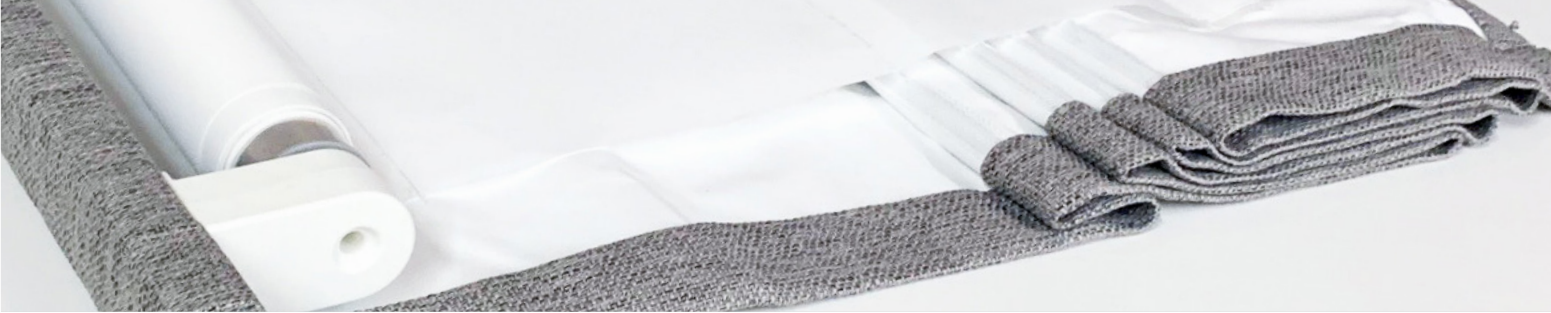
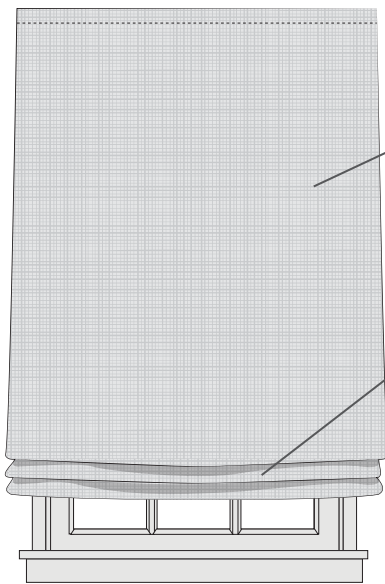


CORDLESS ROMAN SHADES

the perfect window covering for any room- cordless roman shades offer a stylish solution that is also safe for children and pets



FEATURES & BENEFITS



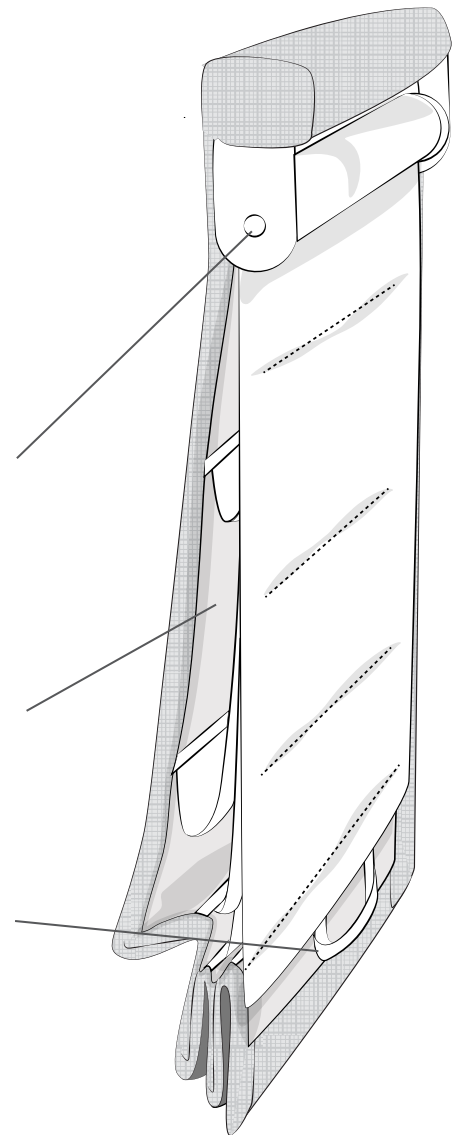
Can be used as an inside or outside mount with included installation hardware.

Seamless shade front folds into pleats for a clean, tailored look.

Shade uses hardware that allows fabric to roll up on itself up with a single pull, unlike other cordless shades, which operate with interior strings.

Polyester blackout lining blocks light, and insulates against outside sounds and drafts.

Concealed handle makes it easy to lower and raise shade in one easy movement.



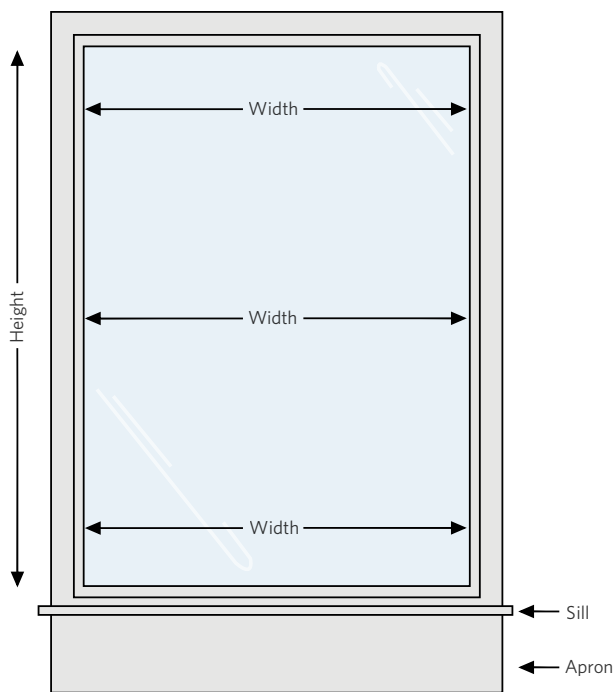
Patented *AeroLite™*

Cordless Lift System uses a roller mechanism that is 100% cord-free, which is easy to use and safer for children and pets.

SIZES AND MATERIALS

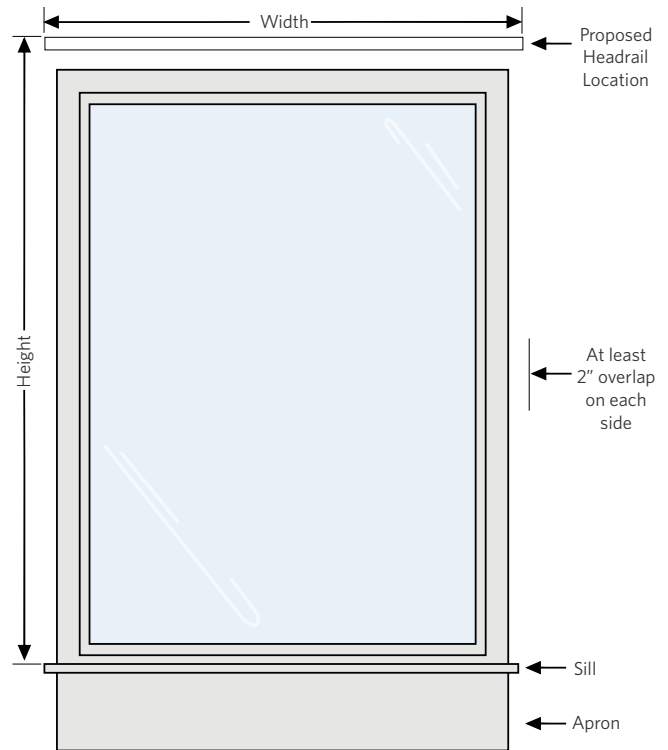
STANDARD SIZING (WxL)	CUSTOM SIZING	SHADE MATERIAL	LINING MATERIAL	PRODUCTION
24" x 64"	Width: 20" - 50" Length: 48", 66", 84"	Cotton	Poly-cotton blackout lining	Import
32" x 64"		Linen		
36" x 64"		Linen/Cotton		
44" x 64"		Polyester		
48" x 64"				

MEASUREMENT GUIDE



INTERNAL MOUNT

- Measure inside width of window casing at top of window (this measurement is critical because headrail must fit)
- Measure inside height from top of window casing to top of sill in three places, record longest measurement
- Choose width at least 3/8" smaller than the window (round down to the nearest inch)



EXTERNAL MOUNT

- Measure width to be covered
- Measure height to be covered from top to desired length, record measurement
- 2" overlap on each side of window is recommended for optimum light control and privacy