

| Tools required:

| Do not throw away packaging materials until assembly is complete.

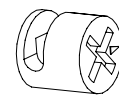
| Assemble this item on a soft surface, such as cardboard or carpet, to protect finish.

A



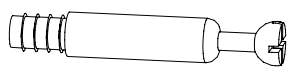
8x30 mm wooden dowels 8x

B



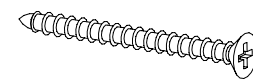
cam locks 2x

C



cam screws 2x

D



3.5x40 mm long screws 4x

E



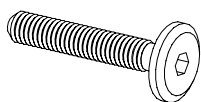
3.5x25 mm medium screws 2x

F



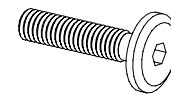
3x12 mm short screws 2x

G



6x40 mm medium connecting screws 8x

H



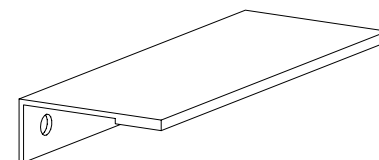
6x30 mm short connecting screws 4x

I



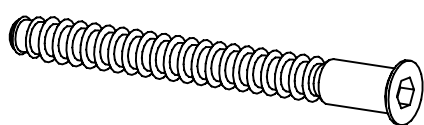
4x9 mm connecting screws 2x

J



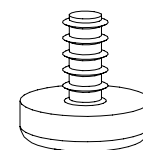
drawer handle 1x

K



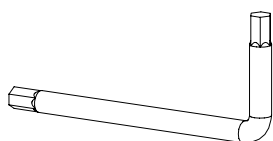
7x70 mm long connecting screws 4x

L



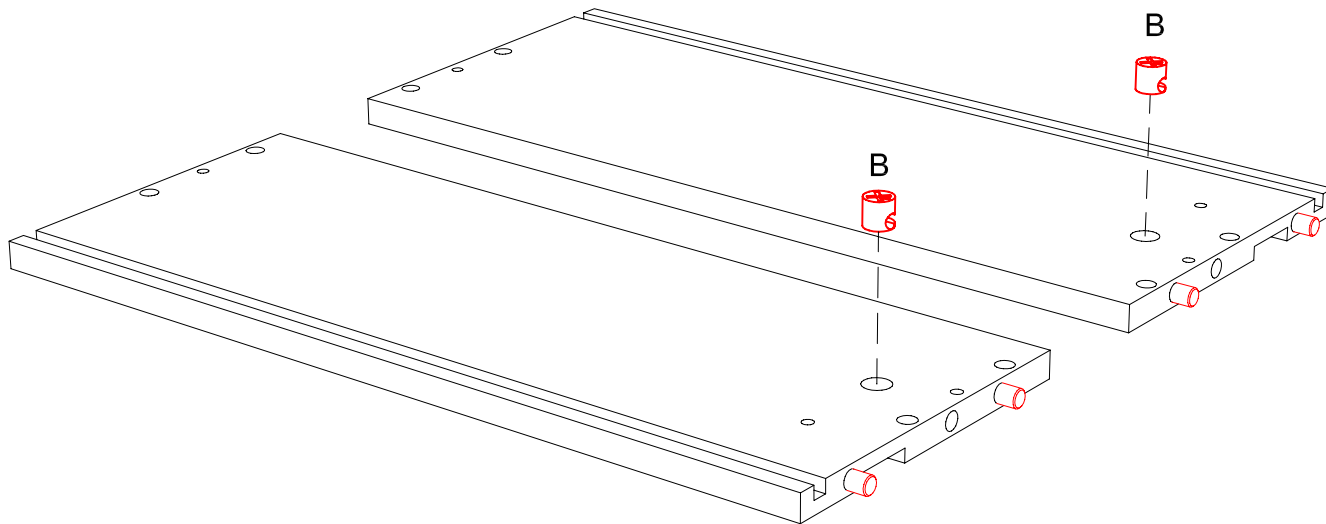
6x25 mm level adjust screws 4x

N

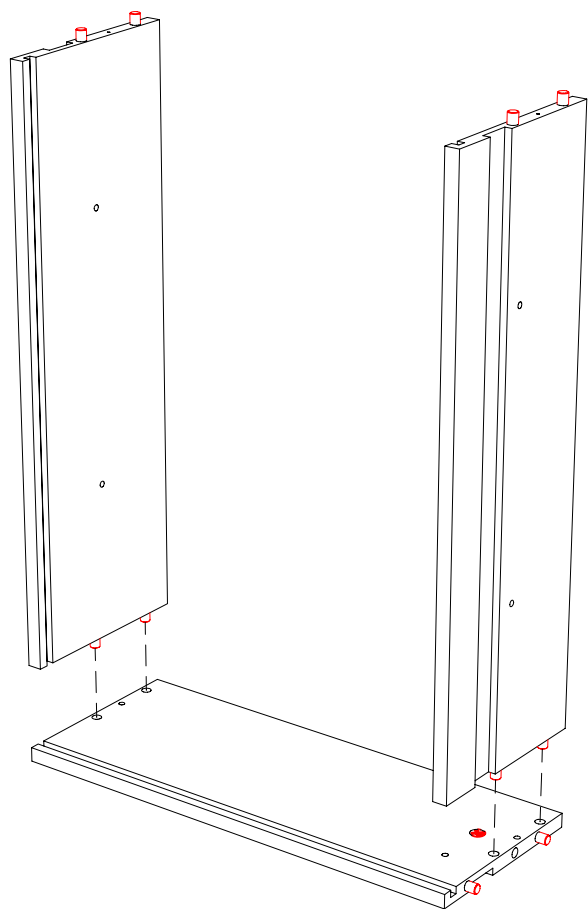


Allen Key 1x

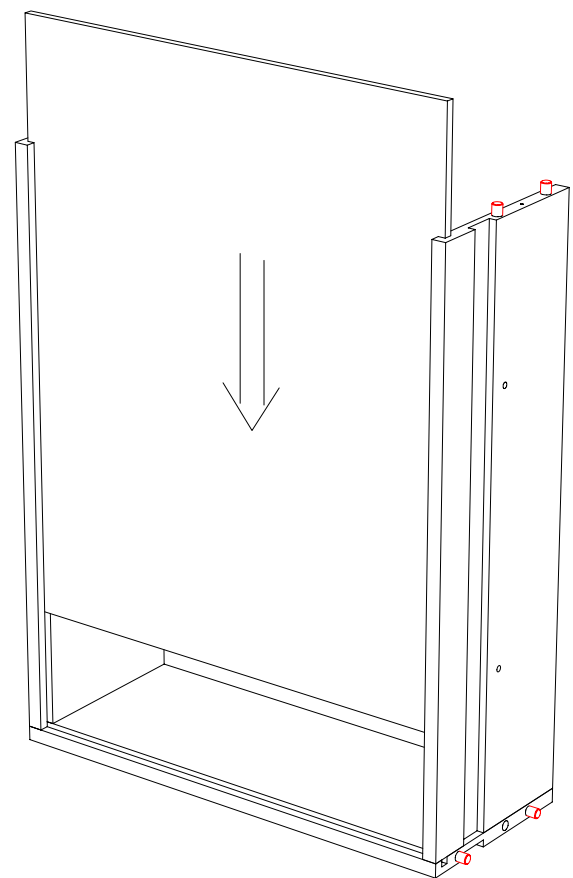
1: Insert 2 cam locks (B) into holes provided in left and right drawer side panels.



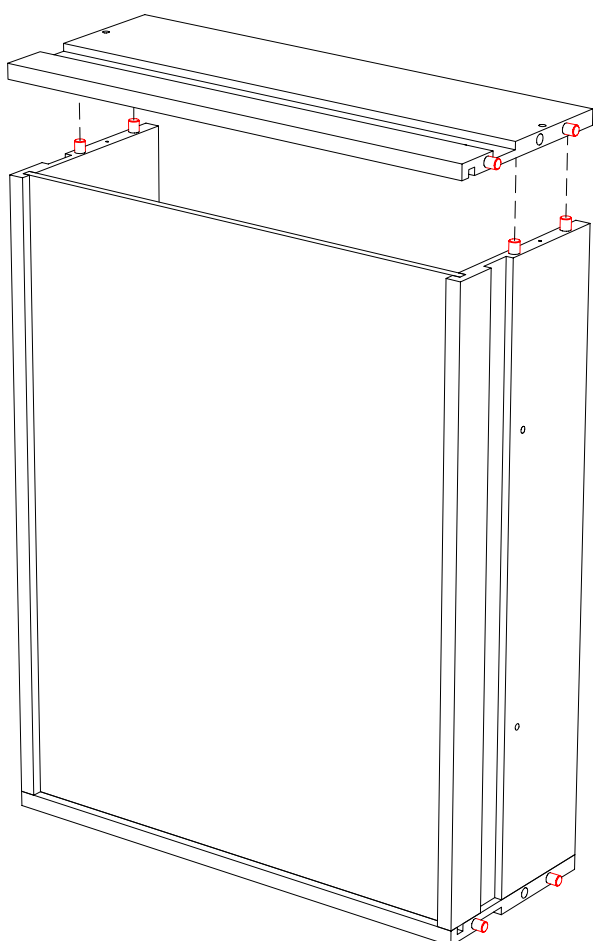
2: Attach drawer front and back panels to right drawer side panel using factory installed dowels.



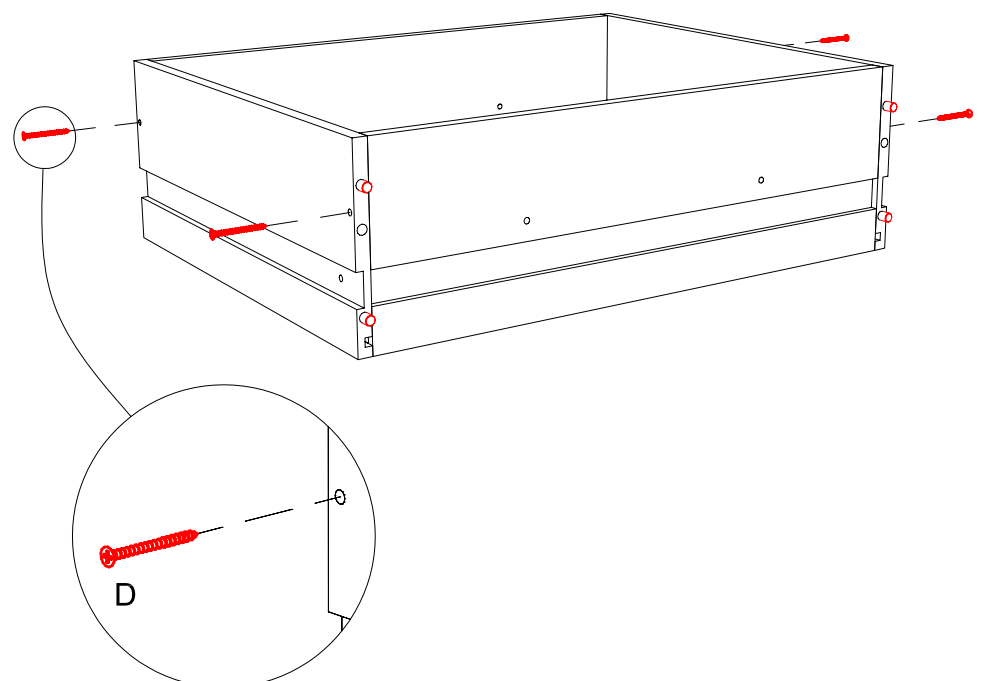
3: Slide drawer bottom into groove inside front and back panels.



4: Attach left drawer side panel to drawer front and back panels using factory installed dowels.



5: Insert 4 screws (D) into holes provided on drawer sides to complete assembly of drawer box.

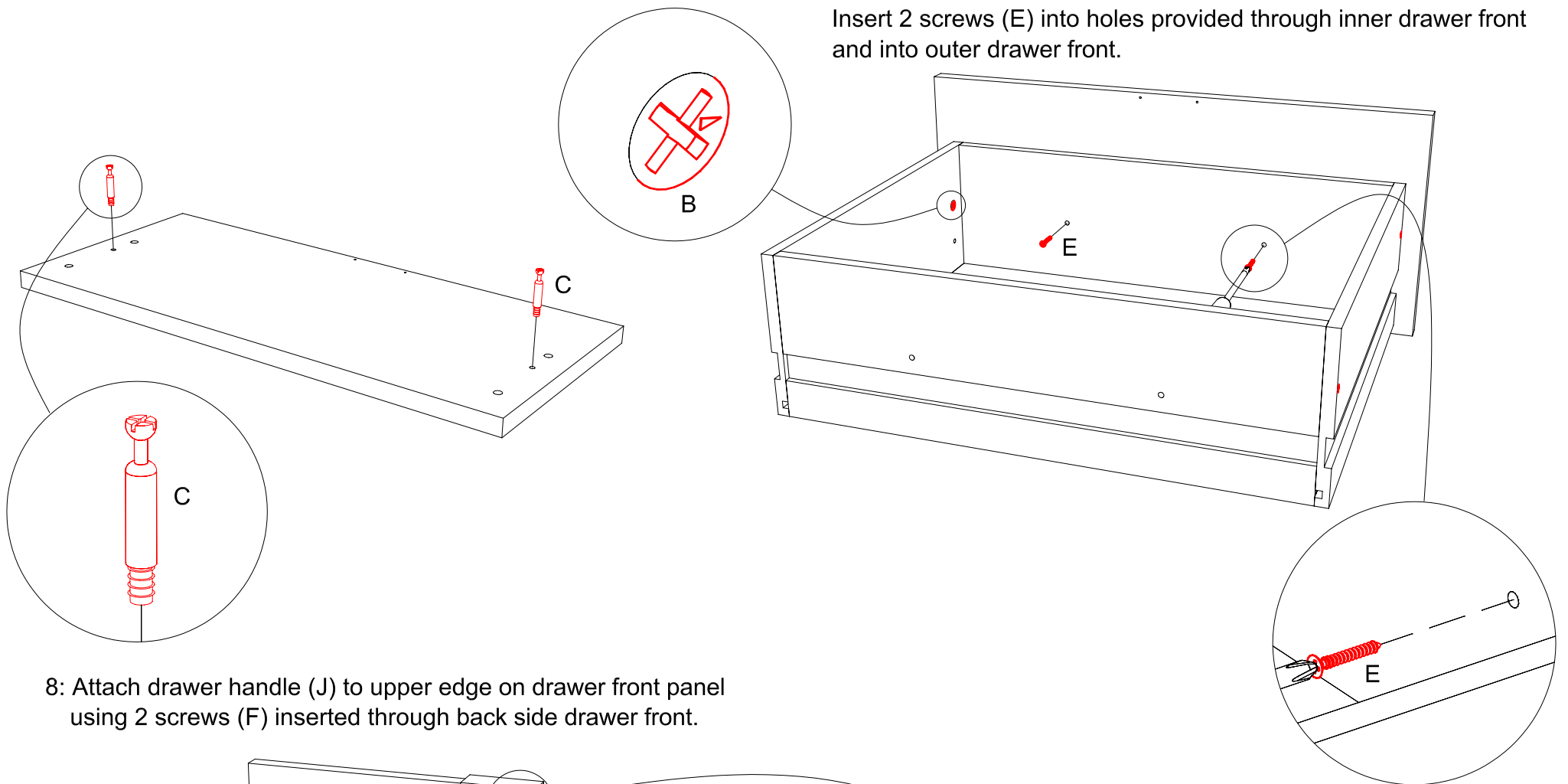


6: Insert 2 cam screws (C) into holes provided in drawer front.

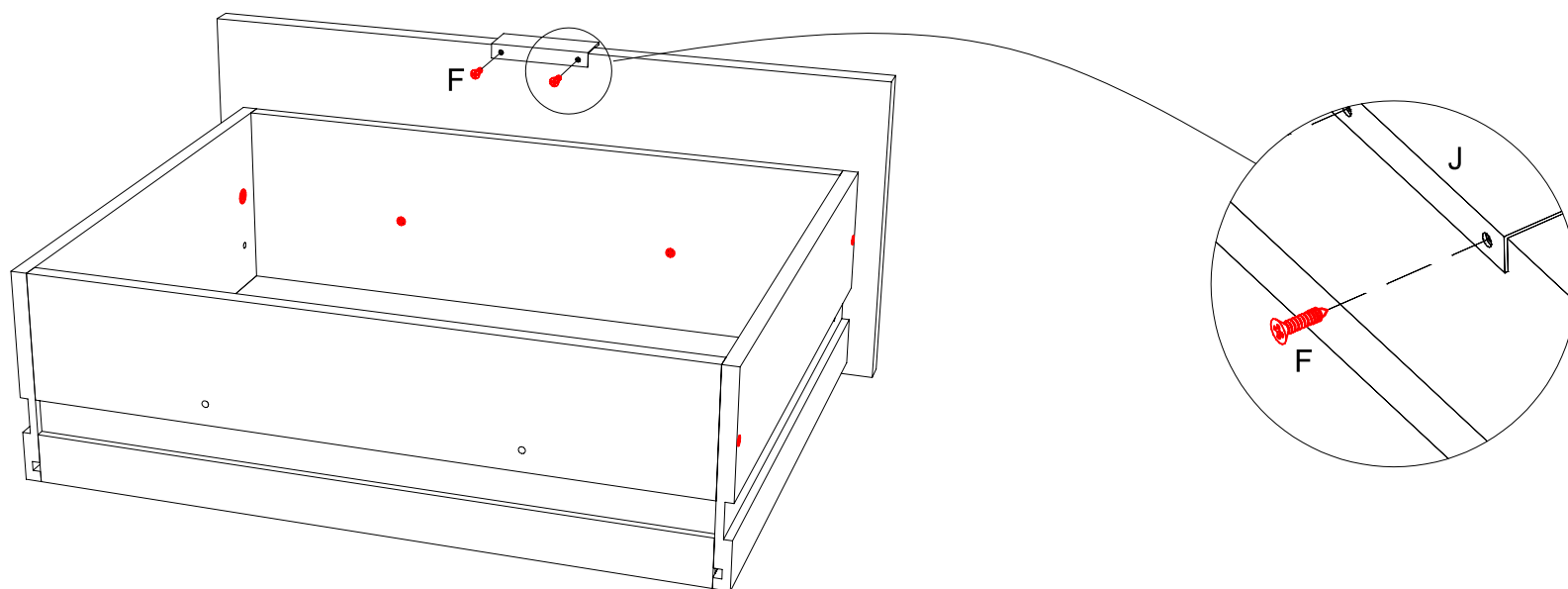
7: Attach front drawer panel to assembled drawer box.

Fasten cam locks.

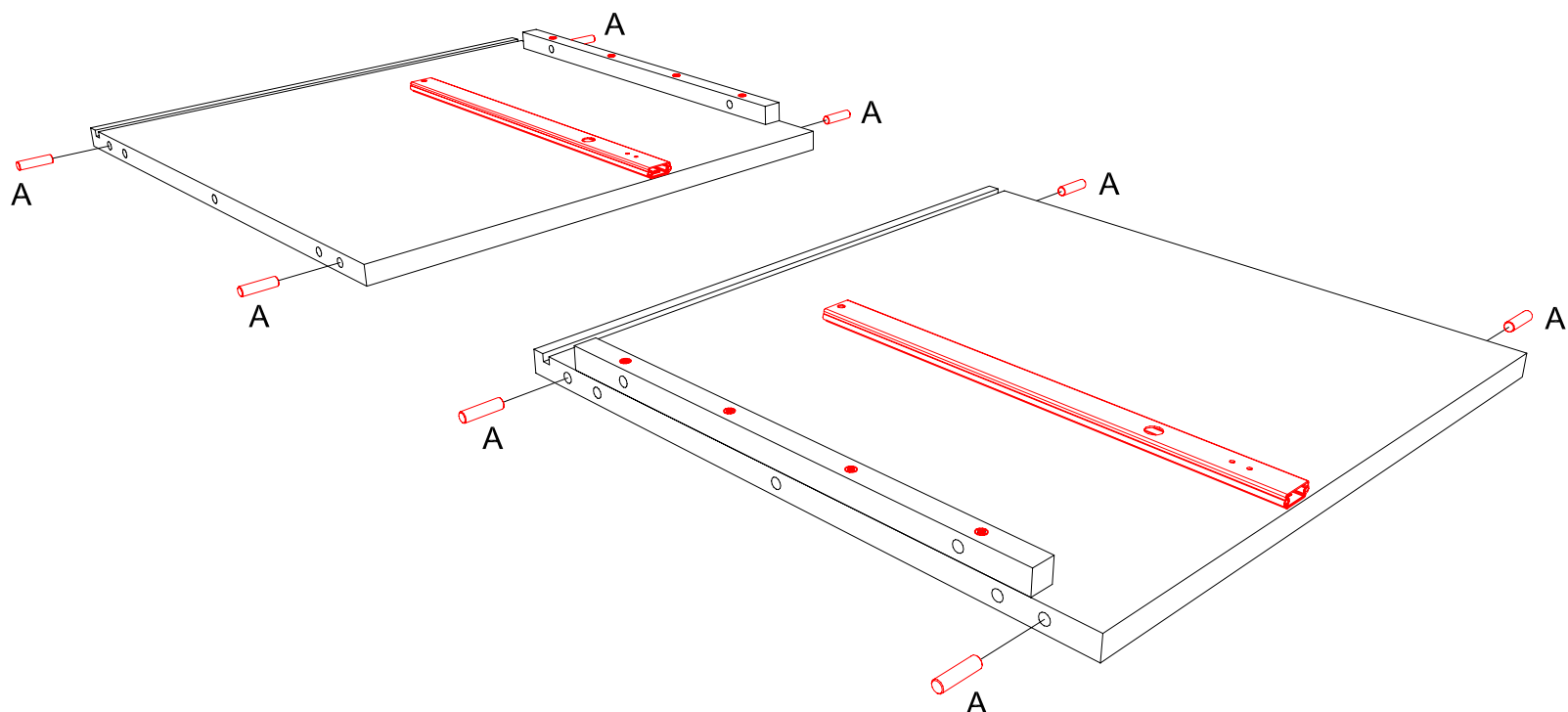
Insert 2 screws (E) into holes provided through inner drawer front and into outer drawer front.



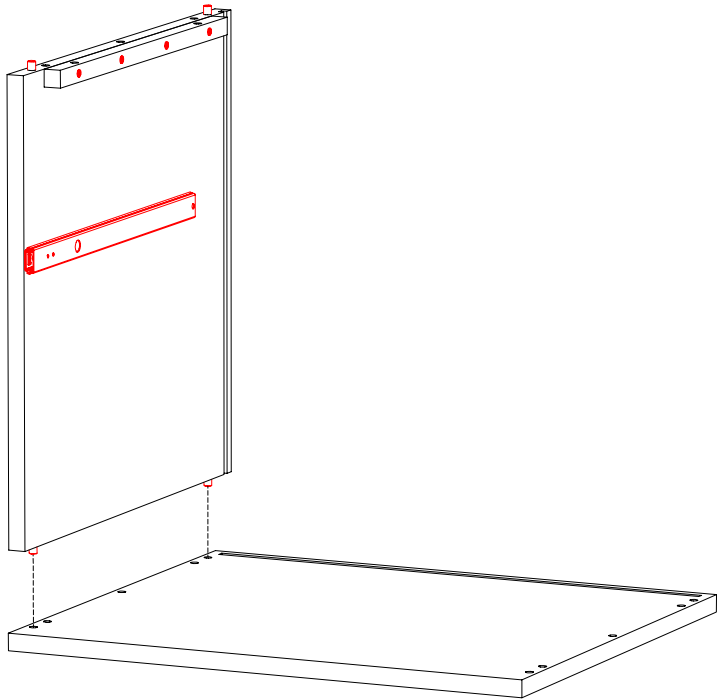
8: Attach drawer handle (J) to upper edge on drawer front panel using 2 screws (F) inserted through back side drawer front.



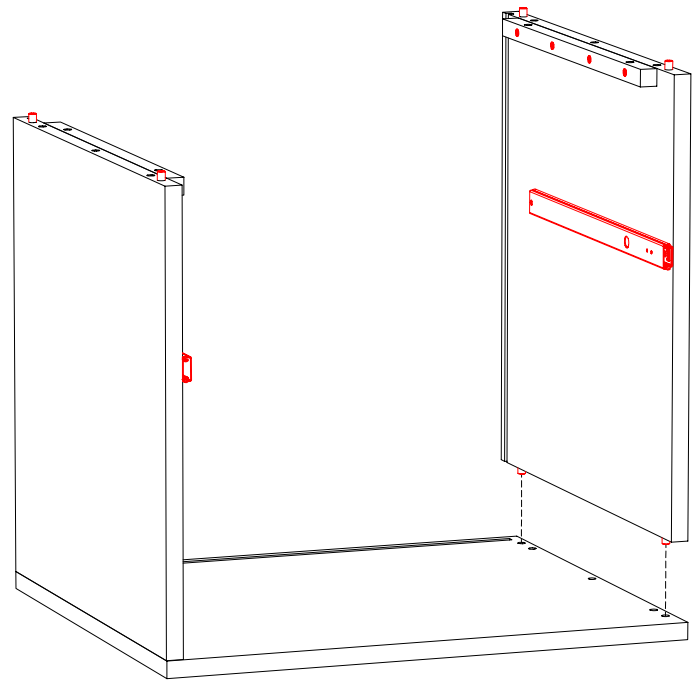
9: Insert 8 wooden dowels (A) into holes provided on both side panels. Use only the front hole and the back hole for these dowels.



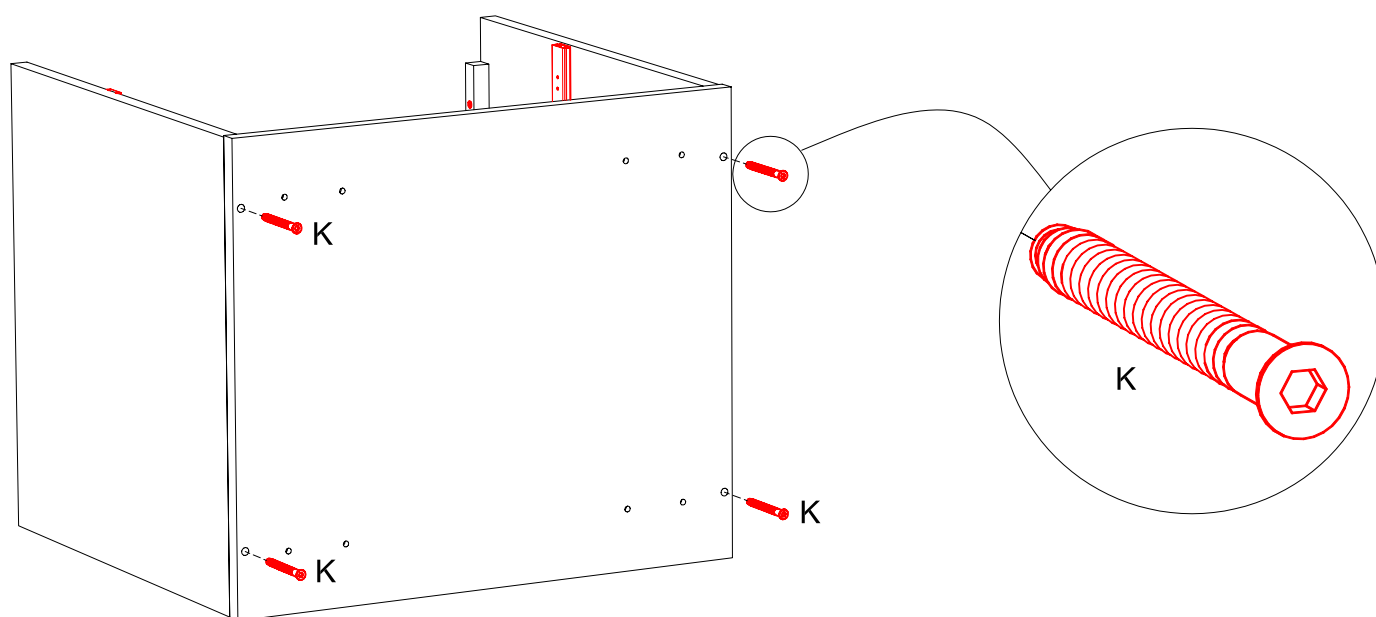
9: Attach left side panel into holes provided in bottom panel.



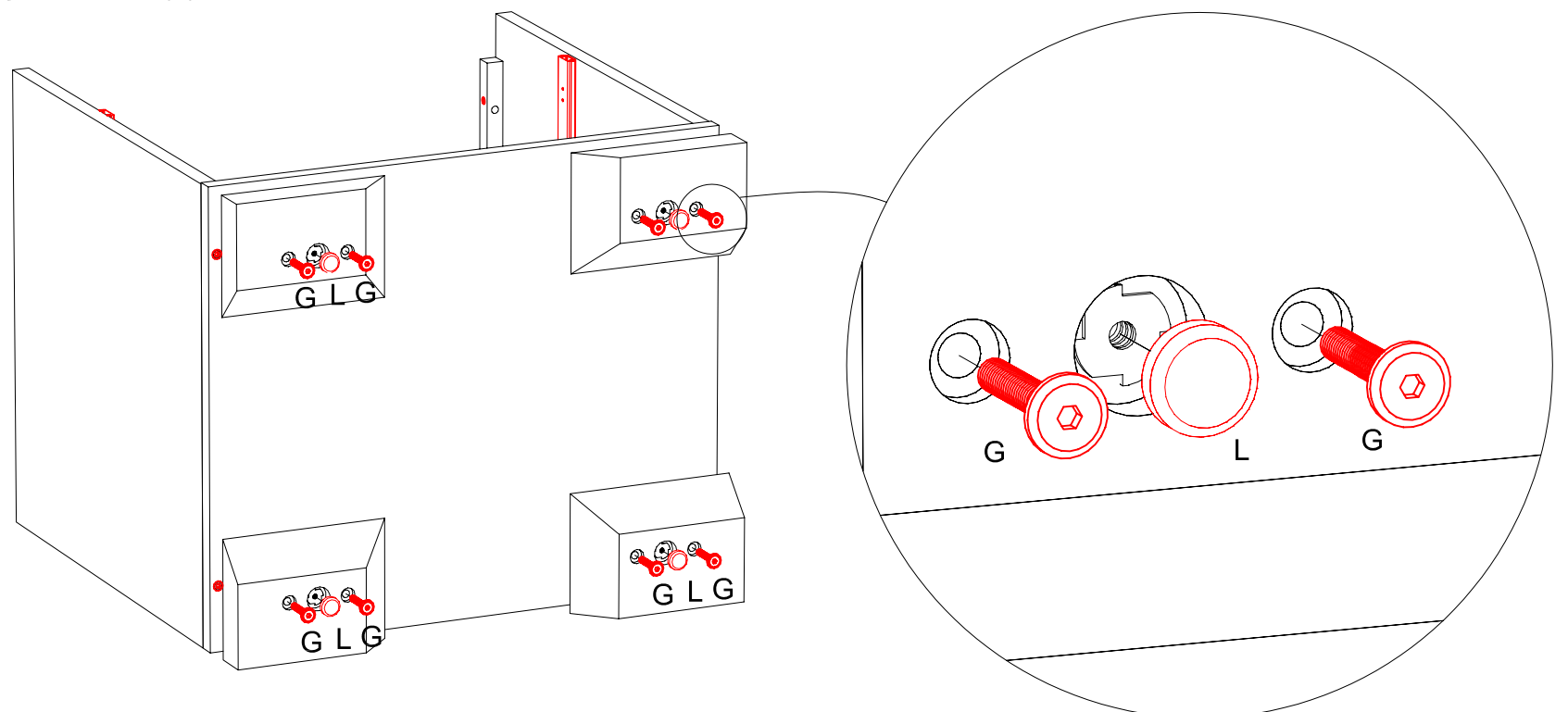
10: Attach right side panel into holes provided in bottom panel.



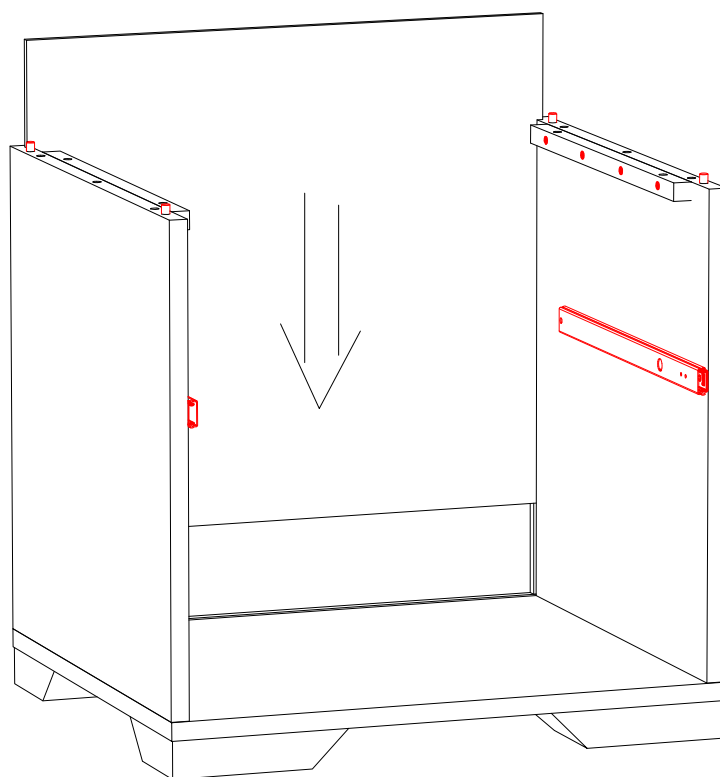
11: To completely secure bottom panel, insert long connecting screws (K) into holes provided on bottom panel.



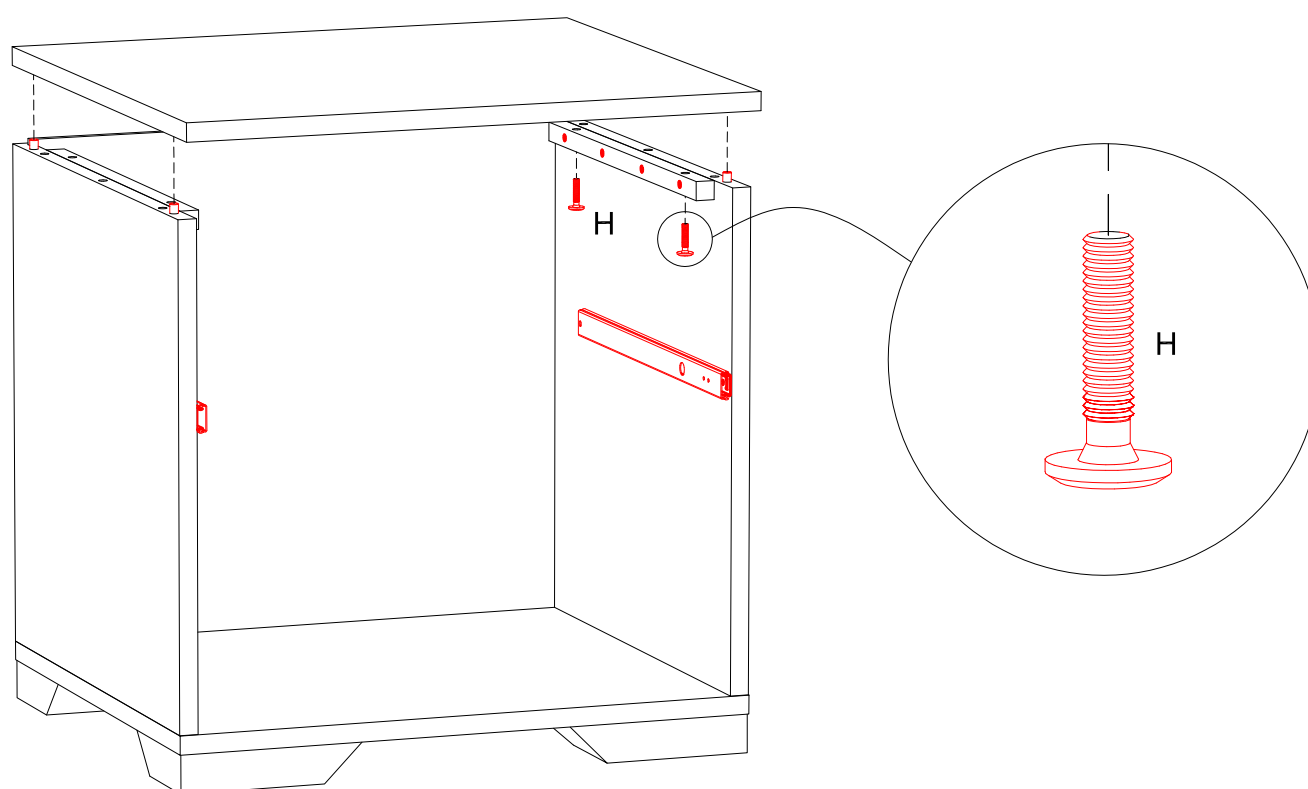
12.: Attach 4 feet to bottom panel. for each foot, insert 2 medium connecting screws (G) into holes provided. Insert 4 level adjust screws (L) into holes provided.



13: Slide back panel into groove on back edge side panels and into groove on bottom panel.



14: Attach top panel to dowels in upper edge side panels. Insert short connecting screws (H) in holes provided.



15: Slide the drawer onto drawer rails. Insert connecting screws (I) into holes provided inside drawer side panels.

