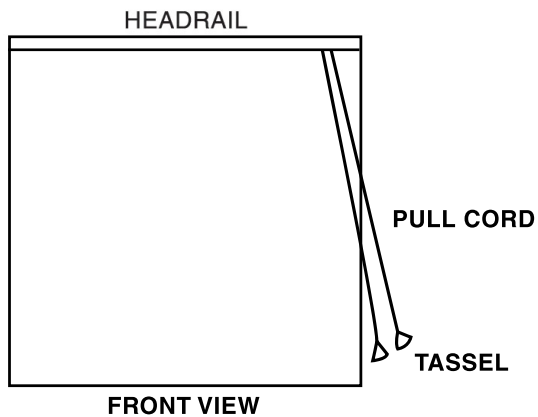


- ! Do not throw away packaging materials until assembly is complete
- ! Assemble this item on a soft surface, such as cardboard or carpet, to protect finish.
- ! Proper assembly of this item requires 2 people.

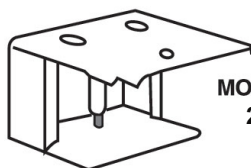
INSTALLATION INSTRUCTIONS

STEP 1

GET ACQUAINTED WITH YOUR NEW ROMAN SHADE



CHECK PACKAGE CONTENTS



MOUNTING BRACKET
26"-36" - 2EA



PLASTIC ANCHORS FOR DRY WALL OR PLASTER MOUNTING
1 FOR EACH BRACKET SCREW



MOUNTING SCREW
SIZE: 1 1/4" LONG
26"-36" - 4EA

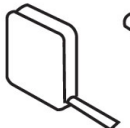


CORD CLEAT SCREWS
SIZE: 1/4" LONG
2 EACH



CORD CLEAT
1 EACH

STEP 2
TOOLS REQUIRED



METAL TAPE MEASURE



PENCIL



PHILLIPS HEAD SCREWDRIVER



STEP LADDER

STEP 3
BRACKET LOCATION AND INSTALLATION

YOUR ROMAN SHADE CAN BE INSTALLED TO FIT INSIDE OR OUTSIDE YOUR WINDOW FRAME.

FOR OUTSIDE MOUNTING:
WINDOW FRAME OR WALL
MOUNTING (FIGURE 1)

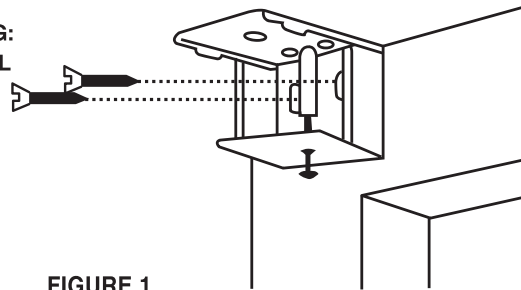


FIGURE 1

FOR FIGURES 1.2 & 3.

1. HOLD THE HEADRAIL (WITH BRACKETS) IN POSITION.
2. THE HEADRAIL MUST BE LEVEL
3. MARK THE POSITION OF THE BRACKETS.
4. REMOVE THE SHADE.
5. HOLDING THE BRACKETS IN PLACE. MARK THE POSITION OF SCREW HOLES THROUGH EACH BRACKET.
6. ATTACH THE BRACKETS WITH SCREWS THROUGH THE MOUNTING HOLES. FOR INSIDE AND CEILING MOUNTS. REMOVE BRACKET BOTTOM FIRST. AFTER INSTALLING BRACKET. REATTACH BOTTOM PORTION OF BRACKET.

FOR CEILING MOUNTING-(FIGURE 2)

FOR INSIDE MOUNTING-(FIGURE 3)

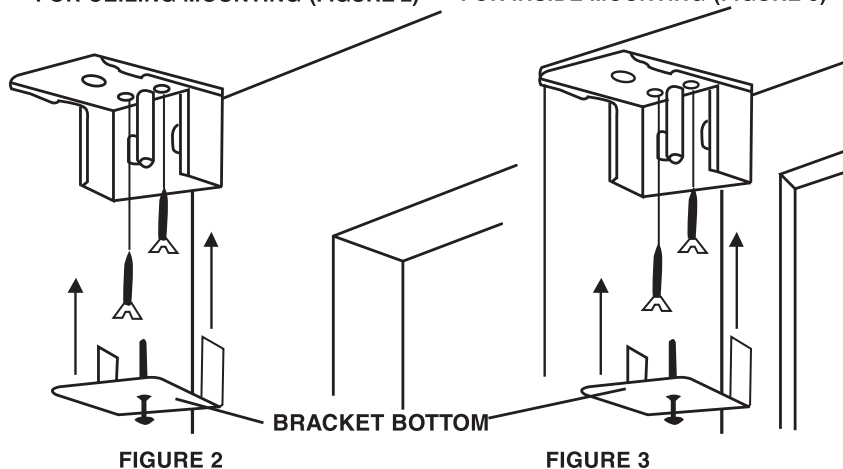
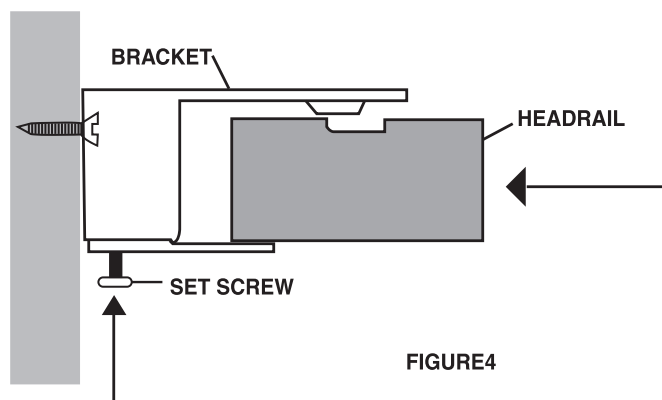


FIGURE 2

FIGURE 3

STEP 4**HANG THE SHADE**

PICK UP THE SHADE AND SLIDE HEADRAIL INTO MOUNTING BRACKETS. MAKING SURE THE THE CORDS FACE TOWARD YOU. FIT THE GROOVE ON THE TOP OF HEADRAIL INTO MOUNTING BRACKET. TIGHTEN SET SCREW AT THE BOTTOM OF THE BRACKET ASSEMBLY TO SECURE THE HEADRAIL
(SEE FIGURE 4)

**STEP 5****HOW TO OPERATE**

TO LOWER SHADE: MOVE CORD TO LEFT PULLING DOWN GENTLY UNTIL CORD-LOCK RELEASES. ALLOW CORDS TO SLIP THROUGH FINGERS UNTIL SHADE REACHES DESIRED LEVEL. MOVE PULL CORD TO THE RIGHT AND RELEASE. BLIND WILL LOCK AUTOMATICALLY.

TO RAISE BLIND: PULL CORDS DOWNWARD UNTIL SHADE REACHES DESIRED HEIGHT, RELEASE CORDS AND SHADE LOCKS AUTOMATICALLY.

STEP 6**CORD CLEAT**

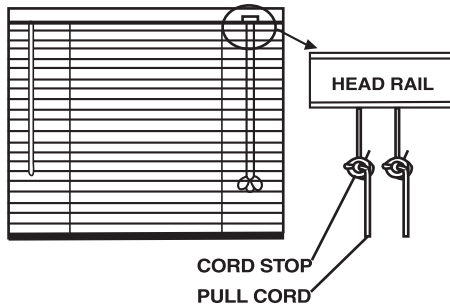
A CORD CLEAT IS ENCLOSED IN YOUR HARDWARE KIT. THIS MAY BE ATTACHED TO THE WINDOW FRAME TO HOLD THE CORD WHEN NOT IN USE. SIMPLY MOUNT THE CLEAT AT THE DESIRED HEIGHT USING THE TWO 3/8" SCREWS.



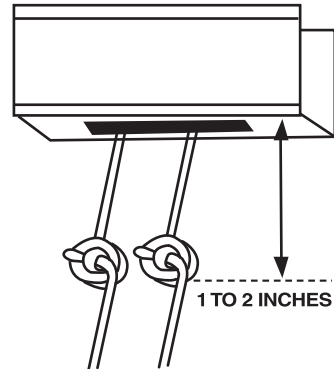
⚠ WARNING

REDUCE RISK OF STRANGULATION TO INFANTS AND TODDLERS.
POSITION SAFETY CORD-STOPS BEFORE USING BLINDS.

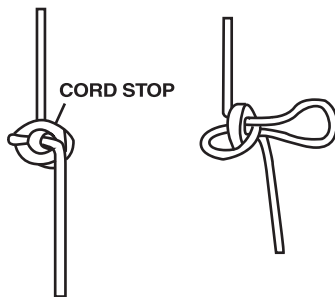
TO POSITION SAFETY CORD STOPS:



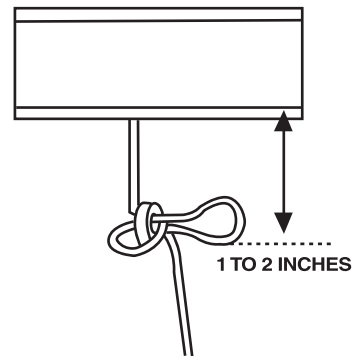
① INSTALL BLIND AS DIRECTED BY MANUFACTURER, MAKING SURE HEAD RAIL IS SECURELY FASTENED. LOWER BLIND TO MAXIMUM DESIRED LENGTH AND LOCK INTO PLACE,



② MEASURE THE DISTANCE FROM HEAD RAIL TO CORD STOPS. IF CORD STOPS ARE 1 TO 2" BELOW THE HEAD RAIL. NO FURTHER ADJUSTMENT IS NEEDED. YOUR BLINDS ARE READY TO USE.



③ IF CORD STOPS ARE NOT 1 TO 2" BELOW HEAD RAIL, LOOSEN (BUT DO NOT UNTIE) THE KNOT SURROUNDING THE CORD STOP.



④ CORD STOP AND KNOT SHOULD NOW BE 1-2" BELOW HEAD RAIL. CONTINUE HOLDING THE CORD STOP IN POSITION AND TIGHTEN KNOT BY PULLING FIRMLY ON TASSEL.

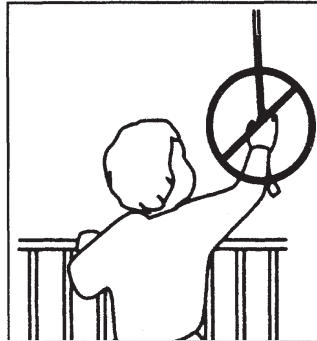
⑤ HOLD CORD STOP IN PLACE AND PULL FIRMLY ON PULL CORD TO RETIGHTEN KNOT.

⑥ REPEAT STEPS 3 THROUGH 5 FOR EACH LIFT CORD.

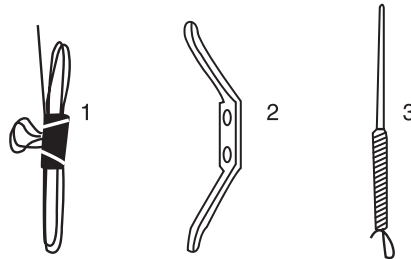
CAUTION
IMPORTANT SAFETY WARNING

DEAR CUSTOMER:

THE PRODUCT YOU HAVE PURCHASED HAS BEEN ENGINEERED AND MANUFACTURED TO THE HIGHEST STANDARDS OF QUALITY AND PERFORMANCE PLEASE READ THIS HANDBOOK CAREFULLY BEFORE INSTALLING YOUR NEW PLEATED FABRIC SHADE.



PARENTS SHOULD KNOW THAT CHILDREN CAN STRANGLE IN WINDOW BLIND OR DRAPERY CORDS.



TO SECURE CORDS OUT OF REACH OF YOUR CHILDREN USE ONE OF THESE SUGGESTED METHODS:

1. CLAMP OR CLOTHES PIN
2. CLEAT ON WALL OR WINDOW FRAME
3. TIE CORD TO ITSELF.

ALWAYS ADJUST CORDS TO THE SHORTEST LENGTH POSSIBLE PLACE CRIBS OR FURNITURE AWAY FROM WINDOWS TO HELP KEEP CHILDREN AT A SAFE DISTANCE FROM CORDS.

NOTE: THIS PRODUCT HAS BEEN MANUFACTURED WITH MULTIPLE CORDS AND CONNECTING TASSELS AND MEETS THE SAFETY STANDARDS ESTABLISHED BY THE WINDOW COVERING SAFETY COUNCIL.

CARE INSTRUCTION

Hardware may loosen over time. Periodically check that all connections are tight

Wipe with a soft, dry cloth. To protect finish, avoid the use of chemicals and household cleaners.