











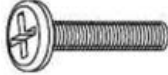


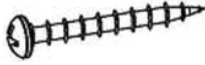

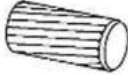


! Tools Required: 

! Do not throw away packaging materials until assembly is complete.

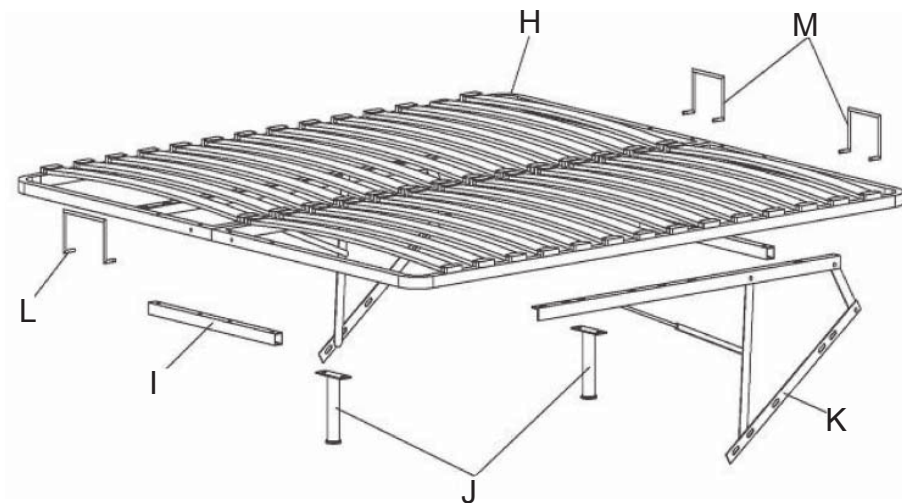
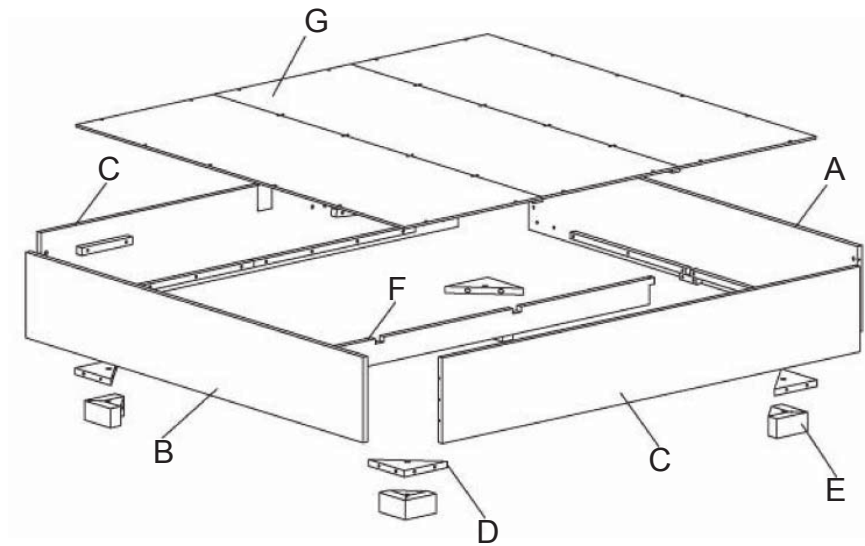
! Assemble this item on a soft surface, such as: cardboard or carpet to protect finish.

! Proper assembly of this item requires 2 people.

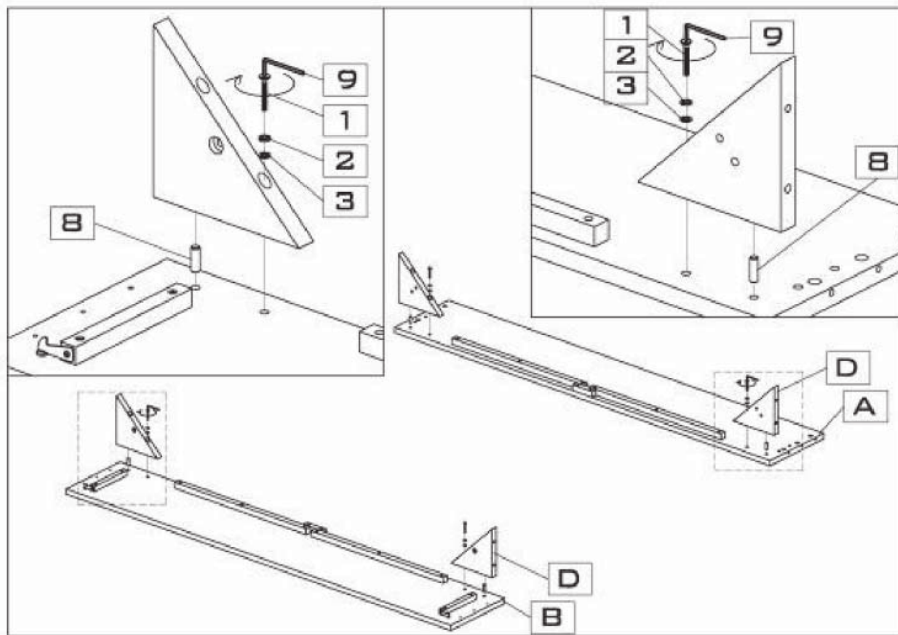
Hardware

1		bolt 6mm x 40mm 12x	10		long bolt M8 x 75mm 8x
2		spring washer 12x	11		short bolt M8 x 45mm 6x
3		flat washer 12x	12		hexagon-bolt M8 x 20mm 4x
4		cam bolt 12x	13		hexagon-nut M8 x 7mm 18x
5		cam lock 12x	14		crosshead bolt M6 x 20 10x
6		short screw Ø4mm x 20 mm 36x	15		flat washer 10x
7		long screw Ø4mm x 38 mm 2x	16		allen key M5 1x
8		dowel Ø10mm x 30 mm 12x	17		spanner wrench 1x
9		allen key M4 1x			

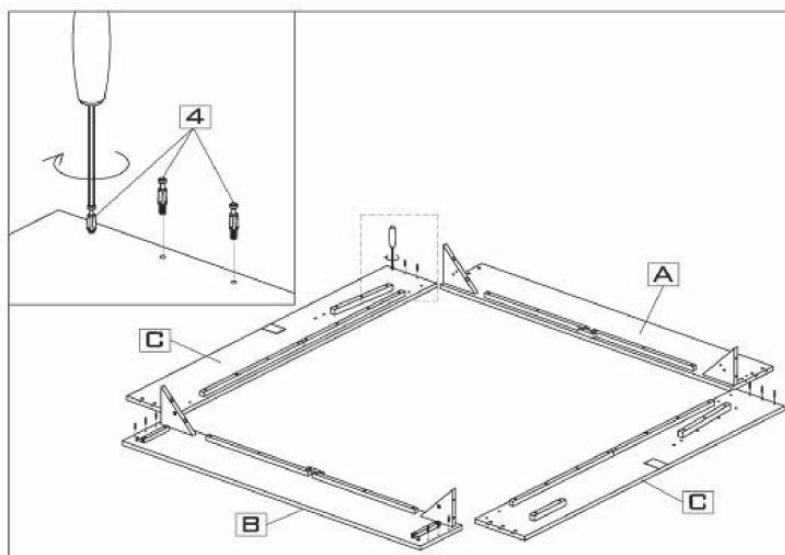
Parts



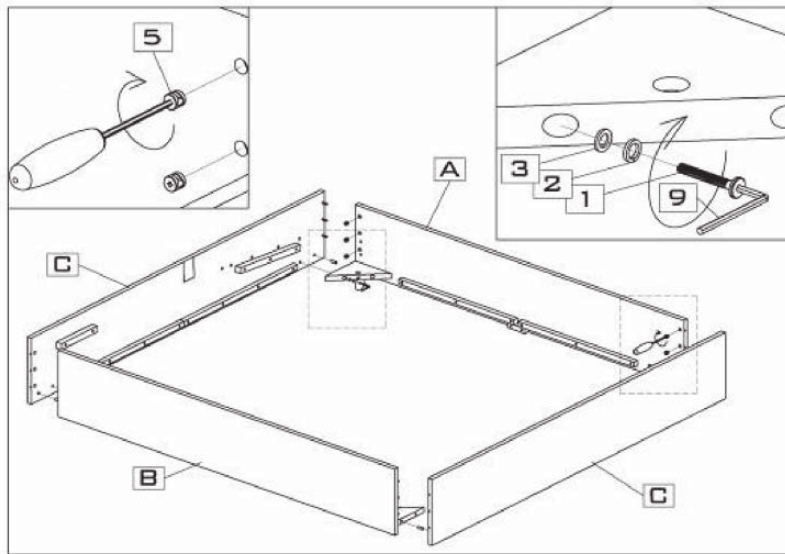
1. Insert dowels (8) into the holes of the headboard (A) and the footboard (B). Attach the corner blocks (D) to the headboard (A) and the footboard (B) with bolts (1), spring washers (2), and flat washers (3). Tighten with allen key (9).



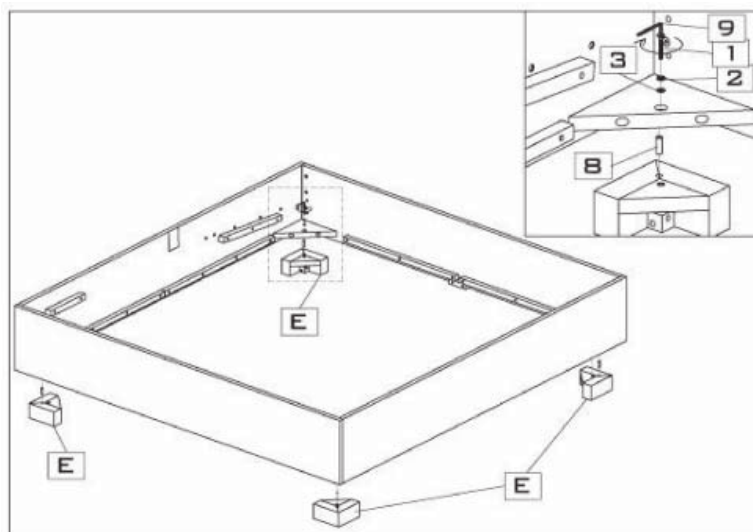
2. Insert cam bolts (4) to the side rails (C) and the footboard (B) as shown below. Tighten with phillips head screwdriver.



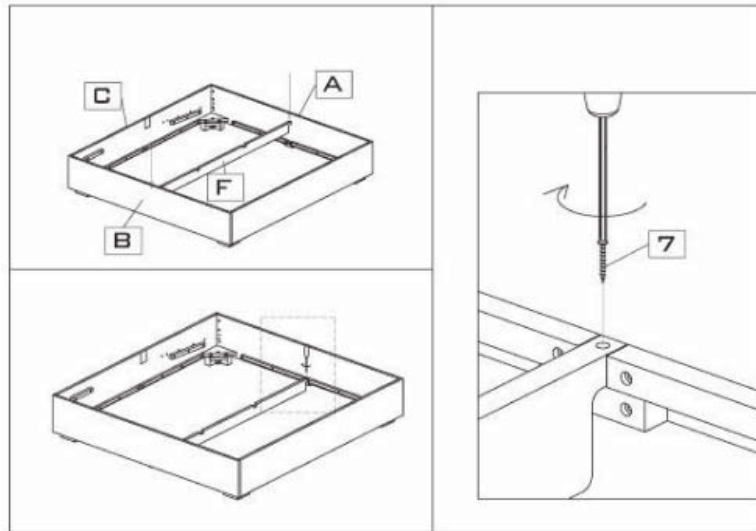
3. Attach the side rails (C) to the headboard (A) and the footboard (B) with bolts (1), spring washers (2), and flat washers (3). Tighten with allen key (9). Insert cam lock (5) into the headboard (A), and side rails (C). Tighten cam locks (5) with phillips head screwdriver as shown below.



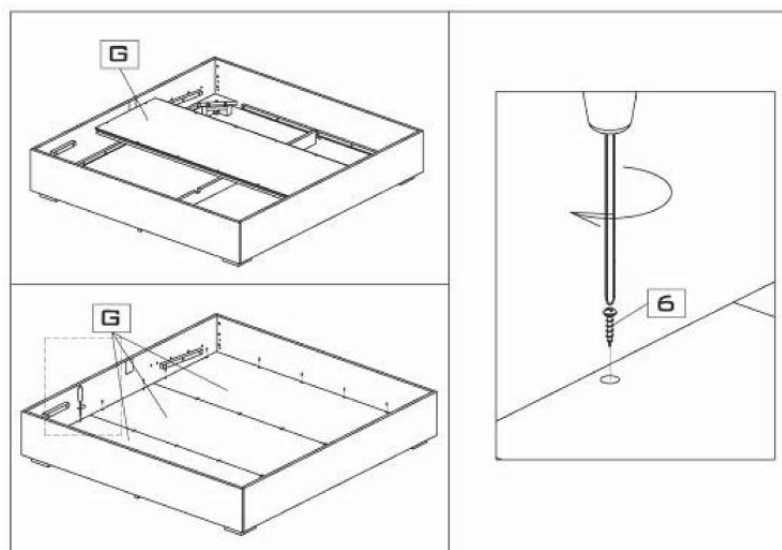
4. Insert dowels (8) to legs (E) before attaching the legs (E) to the corner blocks (D) with bolts (1), spring washers (2), and flat washers (3) as shown below. Tighten bolts (1) with allen key (9).



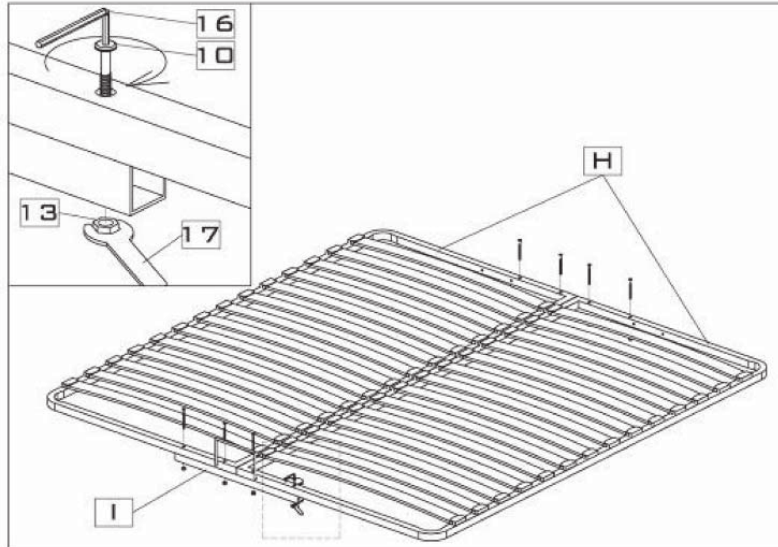
5. Place middle support rail (F) between headboard (A) and footboard (B). Tighten middle support rail (F) with long screws (7) as shown below.



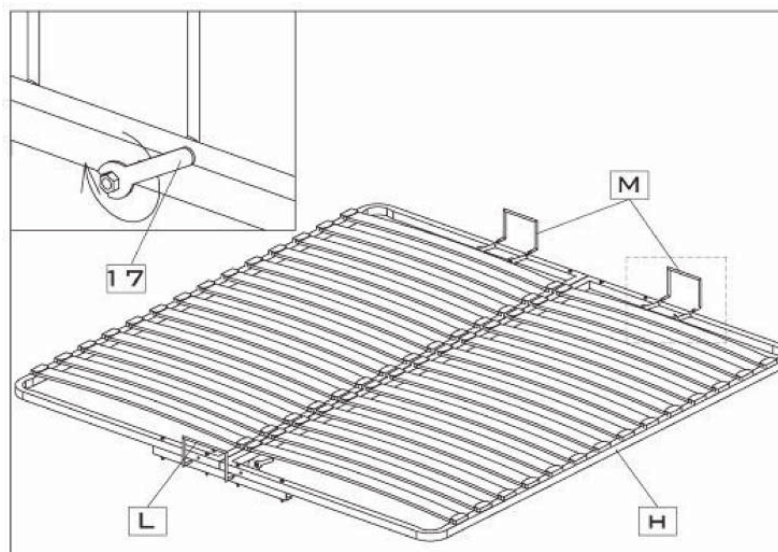
6. Lay the bottom panels (G) onto the middle support rail (F), making sure that the panel that has 2 rails underneath is located in the center. Attach bottom panels (G) to the bed frame with screws (6) as shown below.



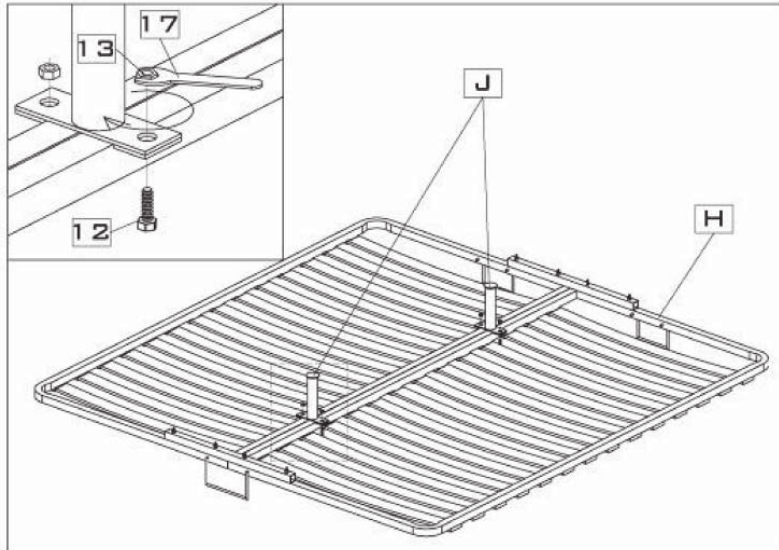
7. Carefully unfold the metal slats frame (H) and attach the metal rails (I) to each end of the metal slats frame (H) with long bolts (10), and hexagon-nuts (13). Tighten with allen key (16) and spanner wrench (17) as shown below.



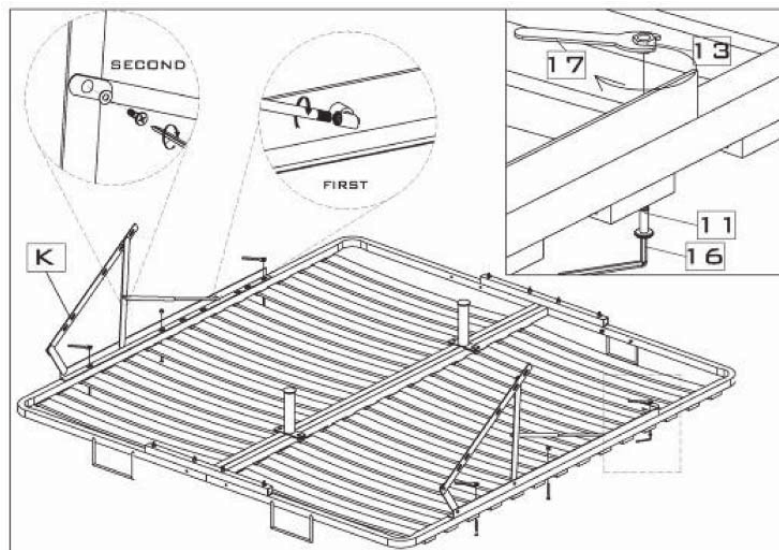
8. Attach the handle (L) and stoppers (M) to the metal slats frame (H) with hexagon-nuts (13). Tighten hexagon nuts with spanner wrench (17).



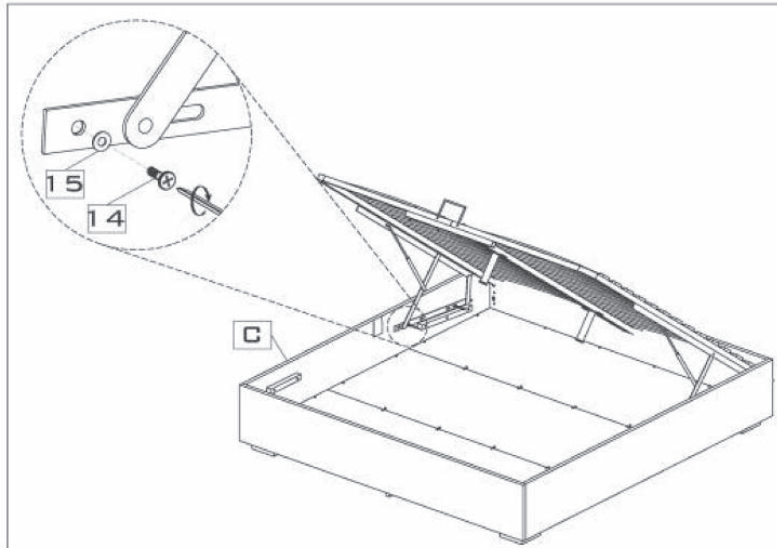
9. Turn the metal slats frame over and attach the two support legs (J) to the mid rail of the metal slats frame (H) with hexagon-bolts (12), and hexagon-nut (13). Tighten with spanner wrench (17).



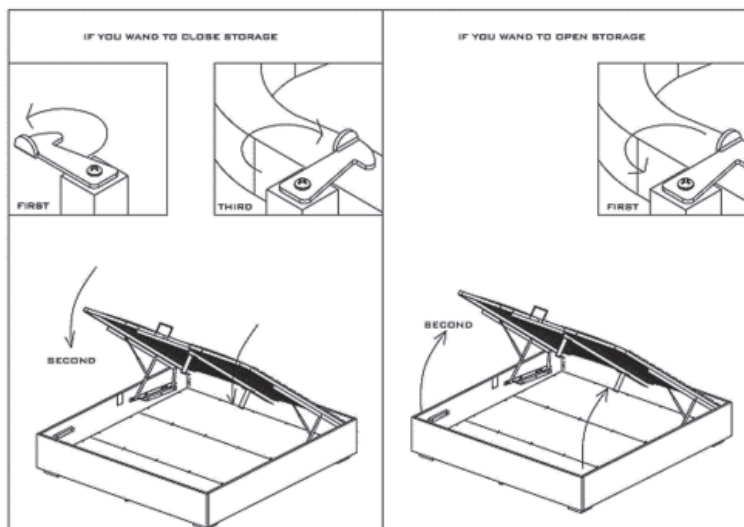
10. Attach the two hydraulic arms (K) to the metal slats frame (H) with short bolts (11), and hexagon-nut (13). Tighten with allen key (16) and spanner wrench (17) as shown below.



11. Turn the assembled metal slats frame upright with a helper and attach the hydraulic arms (K) to the side rails (C) with crosshead bolts (14), and flat washers (15). Tighten with phillips head screwdriver.



12. To close the storage bed, open the latches on the footboard and pull the metal slats frame down and lock latches as shown below. To open the storage bed, open the latches and pull metal slats frame up as shown below.



Make sure lock is engaged when mattress is not on metal frame to be sure that the metal frame does not raise unexpectedly.

CARE INSTRUCTIONS

Hardware may loosen over time. Periodically check that all connections are tight.

Wipe with a soft, dry cloth. To protect finish, avoid the use of chemicals and household cleaners.