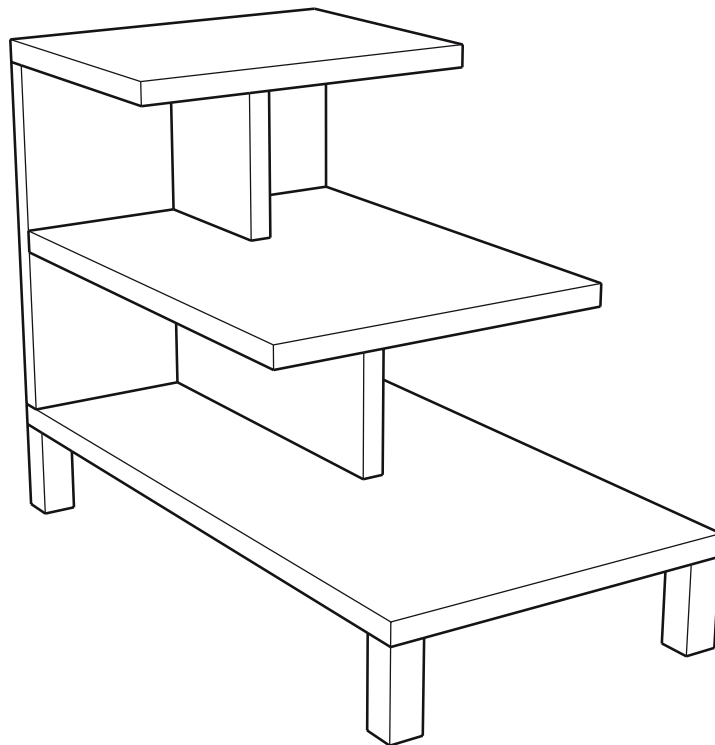
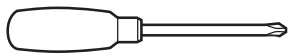


west elm

step side table  
assembly instructions



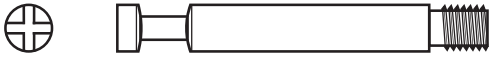

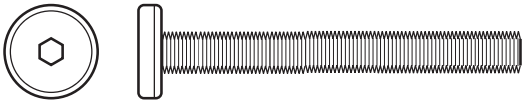


! Tools required:



! Do not throw away packaging materials until assembly is complete.

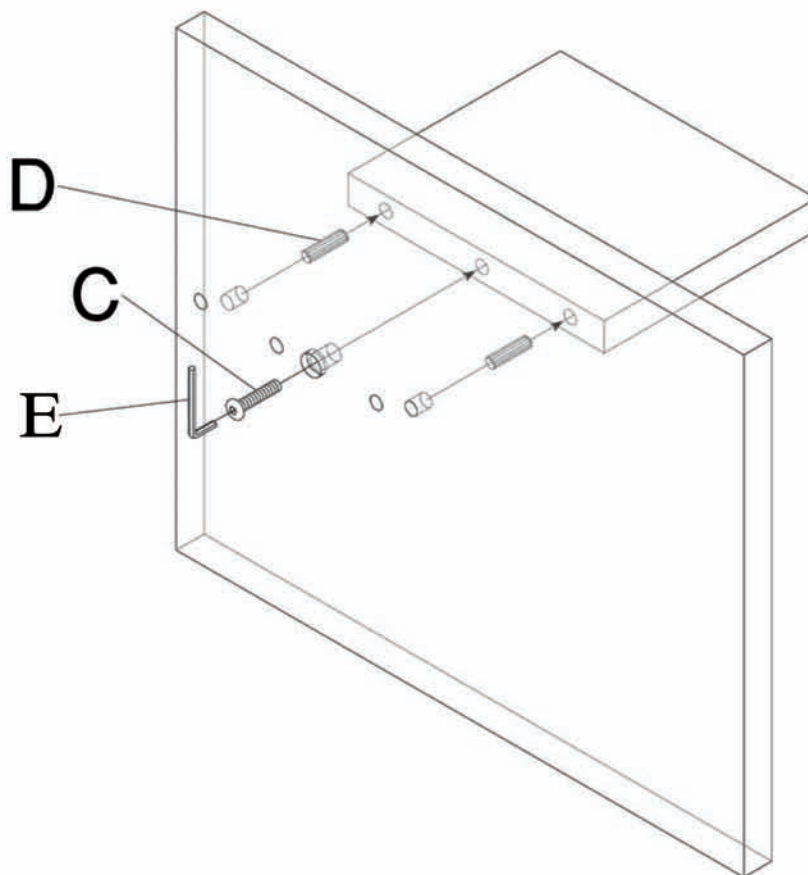
! Assemble this item on a soft surface, such as cardboard or carpet, to protect finish.

! Proper assembly of this item requires 2 people.

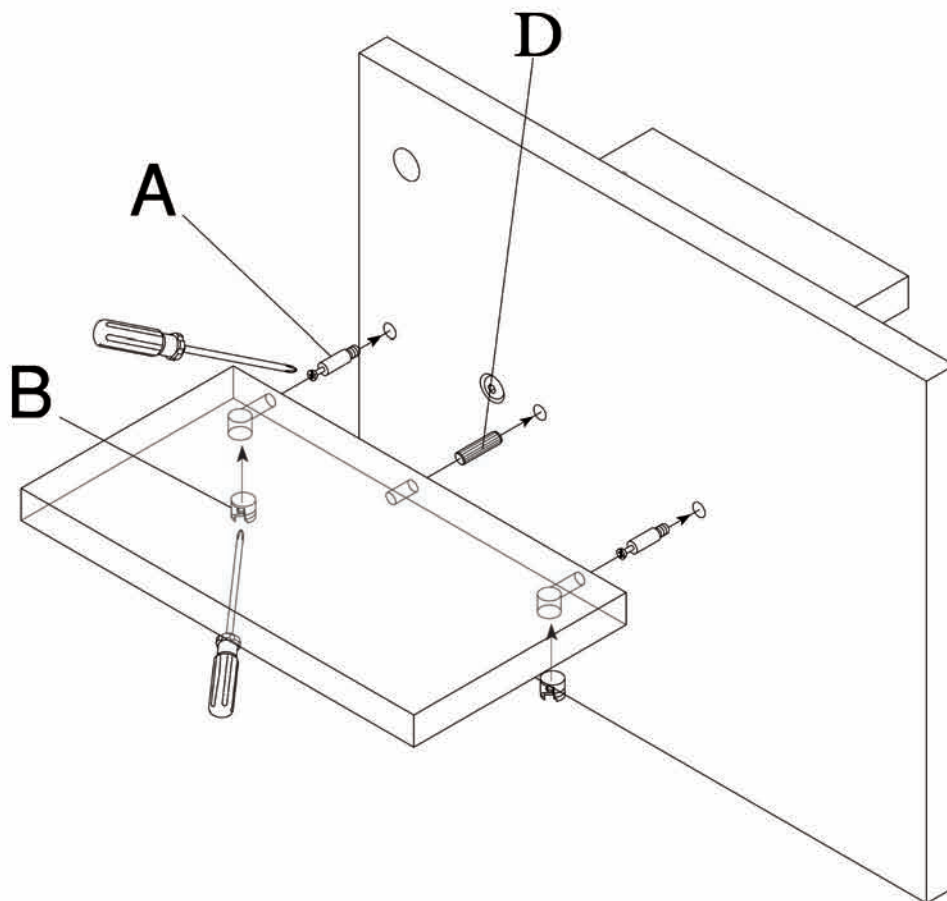
<p>A</p>  <p>cam 8x</p>	<p>B</p>  <p>cam lock 8x</p>
<p>C</p>  <p>bolt: 1/4" dia by 1 3/8" 5x</p>	<p>D</p>  <p>wooden dowel 11x</p>
<p>E</p>  <p>allen key 1x</p>	

1. Insert wooden dowel (D) into top support as shown. Insert wooden dowel (D) with top support into predrilled holes in top face of middle shelf as shown.

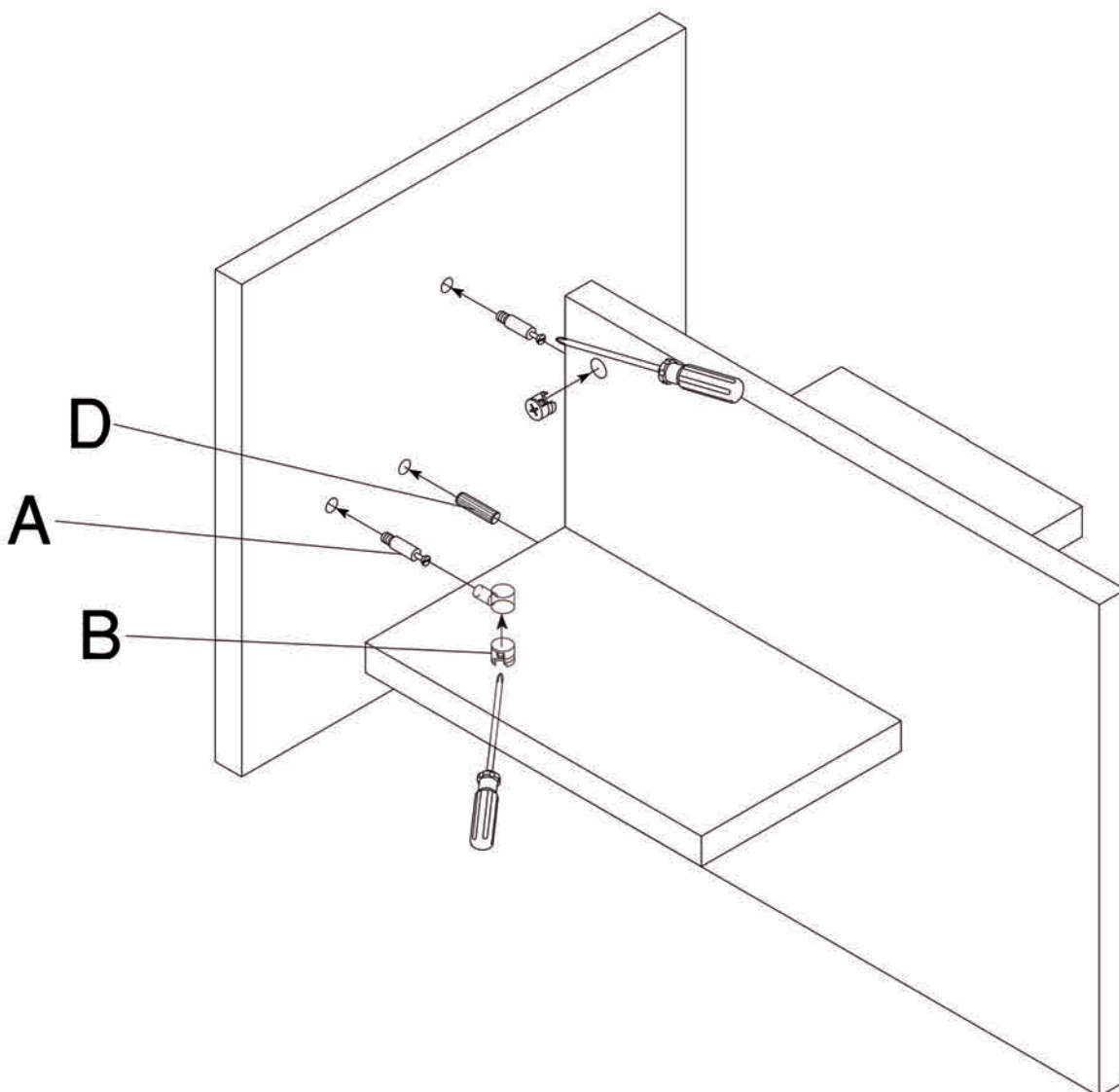
2. Insert bolt (C) through predrilled hole in bottom of middle shelf and into top support as shown. Tighten using allen key (E).



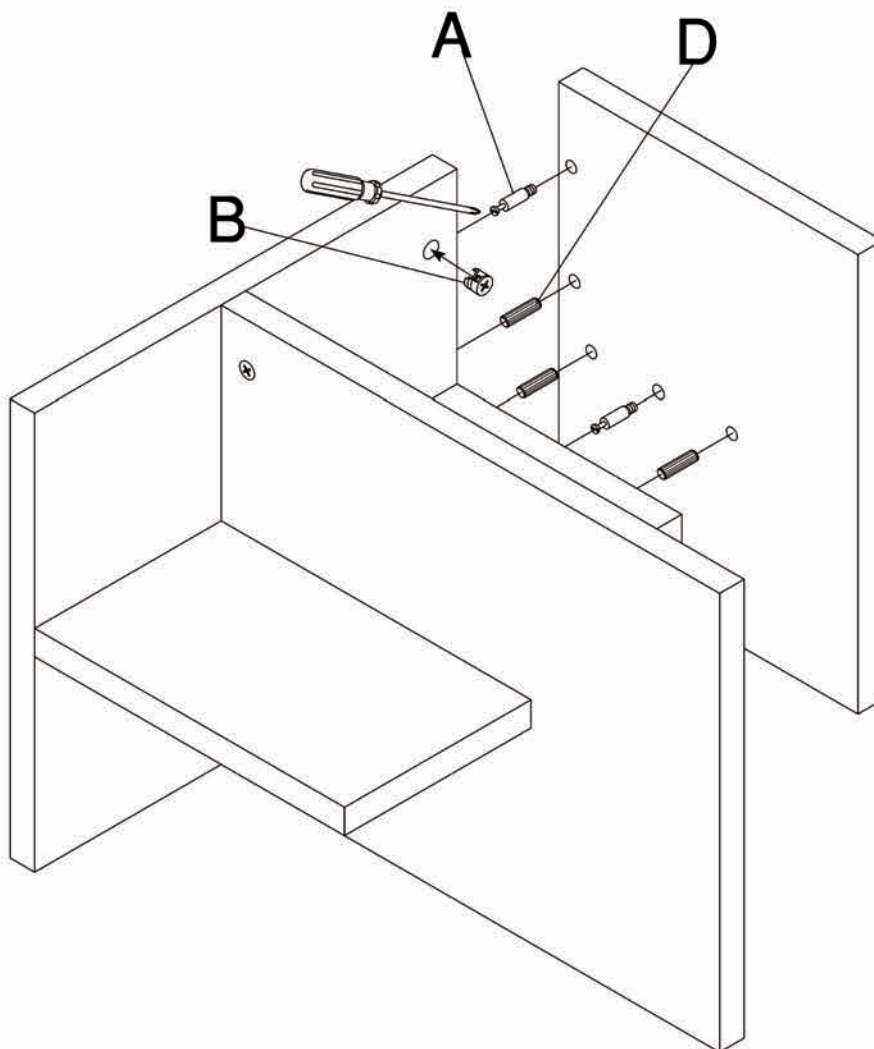
3. Insert wooden dowel (D) into predrilled hole in bottom of middle shelf as shown.
4. Insert cam (A) into predrilled hole in bottom of middle shelf as shown. Tighten using screwdriver.
5. Align holes along top edge of bottom support with cams (A) and wooden dowel (D) in bottom of middle shelf and insert as shown.
6. Insert cam lock (B) into side face of bottom support as shown. Tighten using screwdriver.



7. Insert wooden dowel (D) into predrilled hole in front face of back panel as shown.
8. Insert cam (A) into front face of back panel as shown. Tighten using screwdriver.
9. Align holes along back edge of bottom support and middle shelf with cams (A) and wooden dowel (D) in front face of back panel and insert as shown.
10. Insert cam lock (B) into side face of bottom support and bottom face of middle shelf as shown. Tighten using screwdriver.



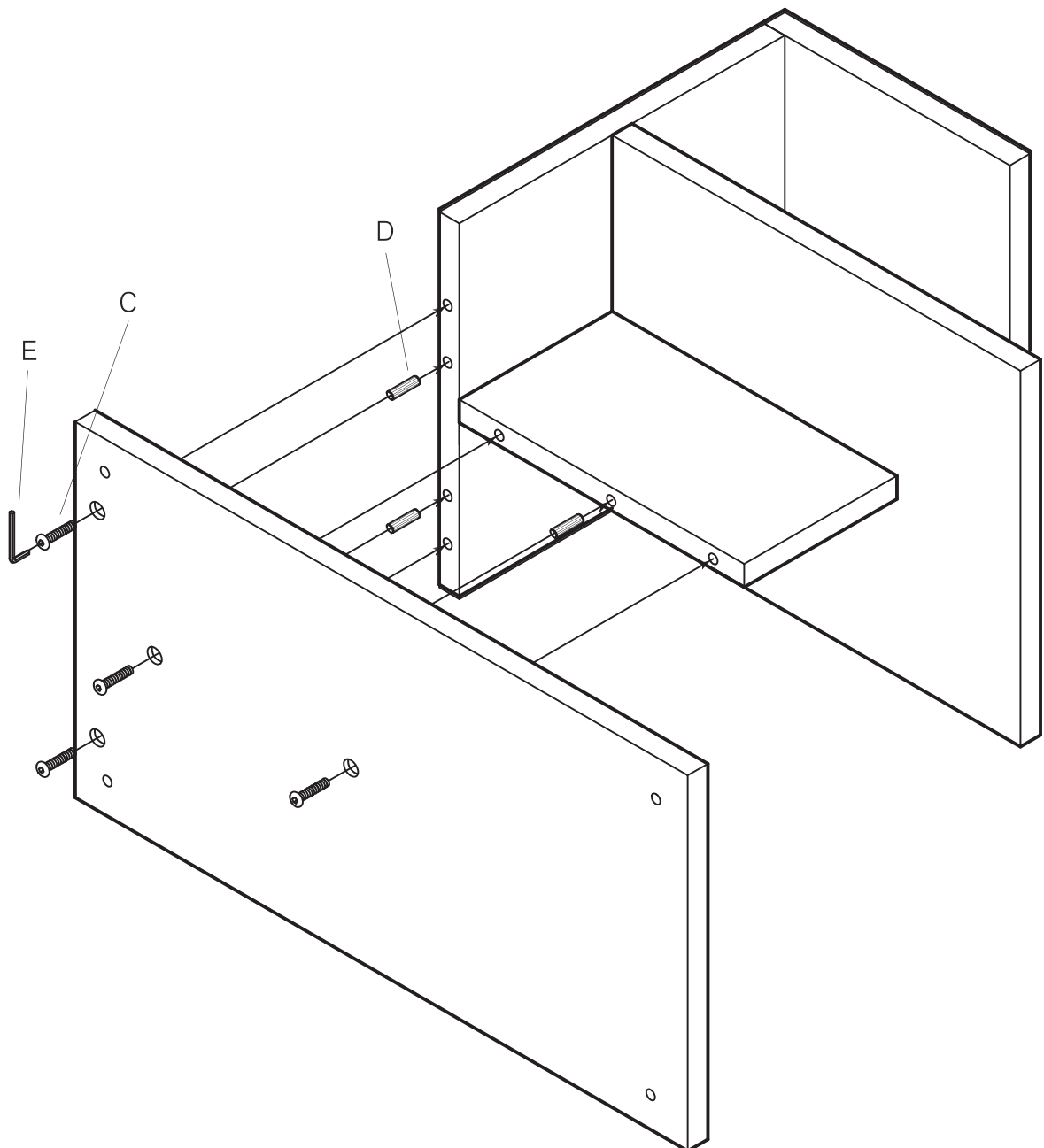
11. Insert wooden dowel (D) into predrilled hole in bottom face of top shelf as shown.
12. Insert cam (A) into predrilled hole in bottom face of top shelf as shown. Tighten using screwdriver.
13. Align holes along top edge of top support and back panel with cams (A) and wooden dowel (D) in bottom face of top shelf and insert as shown.
14. Insert cam lock (B) into side face of top support and front face of back panel as shown. Tighten using screwdriver.



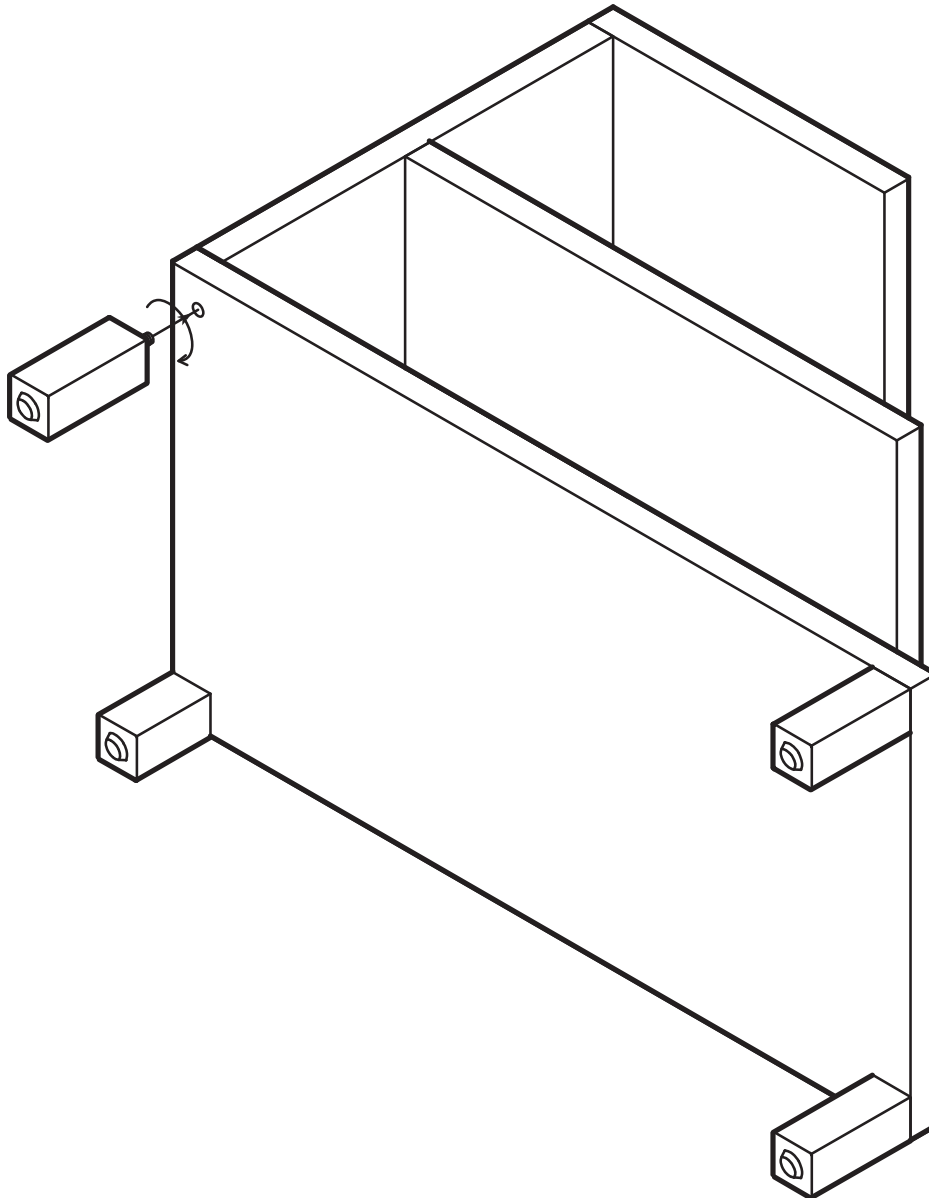
15. Insert wooden dowel (D) into predrilled holes in bottom edge of bottom support and back panel as shown.

16. Align holes in top face of bottom shelf with wooden dowel (D) along bottom edge of bottom support and back panel and insert as shown.

17. Insert bolt (C) through predrilled holes in bottom face of bottom shelf as shown. Tighten using allen key (E).



18. Insert leg into predrilled hole in bottom face of bottom shelf as shown. Tighten by hand.



CARE INSTRUCTION

Hardware may loosen over time. Periodically check that all connections are tight.

Wipe with a soft, dry cloth. To protect finish, avoid the use of chemicals and household cleaners.