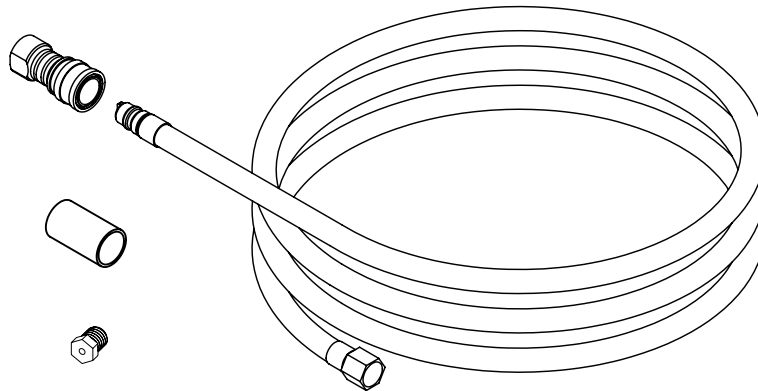


# JENSEN CO

ESTD 1982



## Natural Gas Conversion Kit Manual

**NOTE:** This conversion kit is for changing a liquefied petroleum (LP) gas fireplace into a natural gas (NG) fireplace.

### **⚠ DANGER**

#### **CARBON MONOXIDE HAZARD**

This appliance can produce carbon monoxide which has no odor. Using it in an enclosed space can kill you. Never use this appliance in an enclosed space such as a camper, tent, car or home.



### **⚠ DANGER**

#### **FIRE OR EXPLOSION HAZARD**

If you smell gas:

- Shut off gas to the appliance.
- Extinguish any open flame.
- If odor continues, leave the area immediately.
- After leaving the area, call your gas supplier or fire department. Failure to follow these instructions could result in fire or explosion, which could cause property damage, personal injury, or death.

### **⚠ WARNING: FOR OUTDOOR USE ONLY.**

Installation and service must be performed by a qualified installer, service agency, or the gas supplier.

**INSTALLER:** Leave this manual with the appliance.

**CONSUMER:** Retain this manual for future reference.

**⚠ WARNING:** If the information in this manual is not followed exactly, a fire or explosion may result causing property damage, serious injury, or loss of life.

**⚠ WARNING:** Do not store or use gasoline or other flammable vapors and liquids in the vicinity of this or any other appliance.

An LP gas tank not connected for use shall not be stored in the vicinity of this or any other appliance.



# TABLE OF CONTENTS

Parts List	3
Conversion Instructions	4
Pre-Use Instructions	10
Lighting Instructions	12
Warranty	13
Return Policy	14

**NOTE:** In addition to these instructions, read and understand all warnings included with the fireplace owner's manual.

## WARNING

- **The qualified service agency is responsible for the proper installation of this kit. The installation is not proper and complete until the operation of the converted fireplace is checked as specified in the manufacturer's instructions supplied with this kit.**
- **This conversion kit shall be installed by a qualified service agency in accordance with Real Flame's instructions and all applicable codes and requirements of the authority having jurisdiction.**
- **If the information in these instructions is not followed exactly, a fire, explosion or production of carbon monoxide may result causing property damage, personal injury or death.**

## SPECIFICATIONS

Type of Gas: natural gas (NG)  
Normal Hourly Input: 65,000 BTUs/hr (19.05 kW)  
Manifold Pressure: 7.0" water column (1.74 kPa)  
Minimum Inlet Pressure: 3.5" water column (0.87 kPa)  
Maximum Inlet Pressure: 10.5" water column (2.61 kPa)

**This fireplace was converted on \_\_\_\_\_**  
(DD/MM/YY)

**to natural gas with kit no. \_\_\_\_\_**  
(Found on box.)

**by \_\_\_\_\_,**  
(Name and address of organization making this conversion.)

**which accepts the responsibility that this conversion has been properly made.**

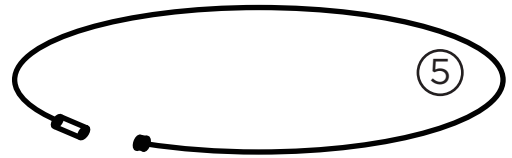
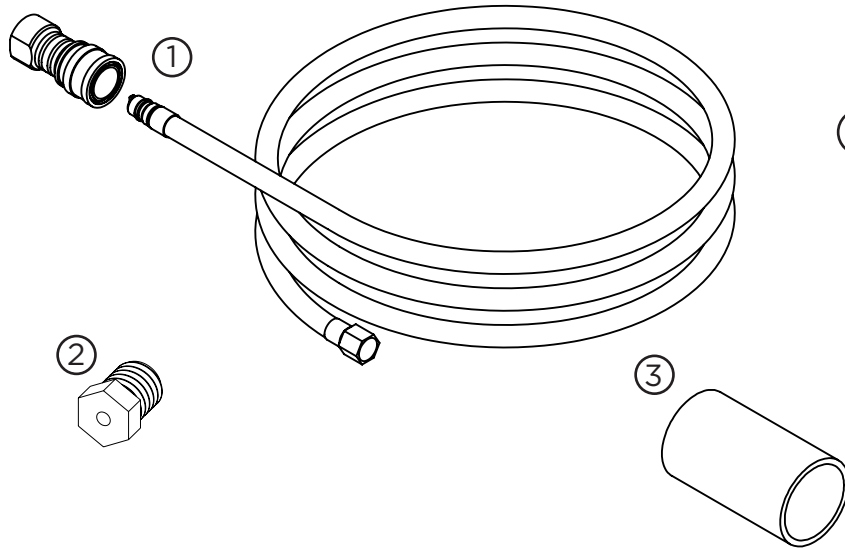
Notes: \_\_\_\_\_

# PARTS LIST

## Natural Gas Conversion Kit #00023107U/ U0002-07

For use with Real Flame fireplaces: 1581LP

- ① Natural Gas Hose (8ft) and Quick Connect (3/8" NPT)
- ② NG Orifice Spud #18 (4.29mm)
- ③ Primary Air Mixer Sleeve
- ④ Conversion Plaque
- ⑤ Cable Kit



④

**realflame**  
fireplaces

Conversion for Model Number

**This fire table has been converted to use Natural Gas.  
Cette table a été convertie en gaz naturel.  
For technical support call: 1-800-654-1704**

Type of Gas / Type de gaz: NG/Natural Gas Normal Hourly Input/Entrée horaire normal: 65,000 BTU/Hr. (19.05 kW)	NG Orifice
Manifold Pressure/Pression d'admission: 7.0" water column (1.74 kPa)	
The minimum inlet pressure for this fire table is: 3.5" water column (0.87 kPa)	C US
The maximum inlet pressure for this fire table is: 10.5" water column (2.61 kPa)	

**This appliance was converted on** \_\_\_\_\_  
 Cet appareil a été converti le \_\_\_\_\_ (DD/MM/YY)

**to Natural Gas with Kit No.** \_\_\_\_\_  
 en gaz naturel avec le kit no. \_\_\_\_\_ (Found on Box)

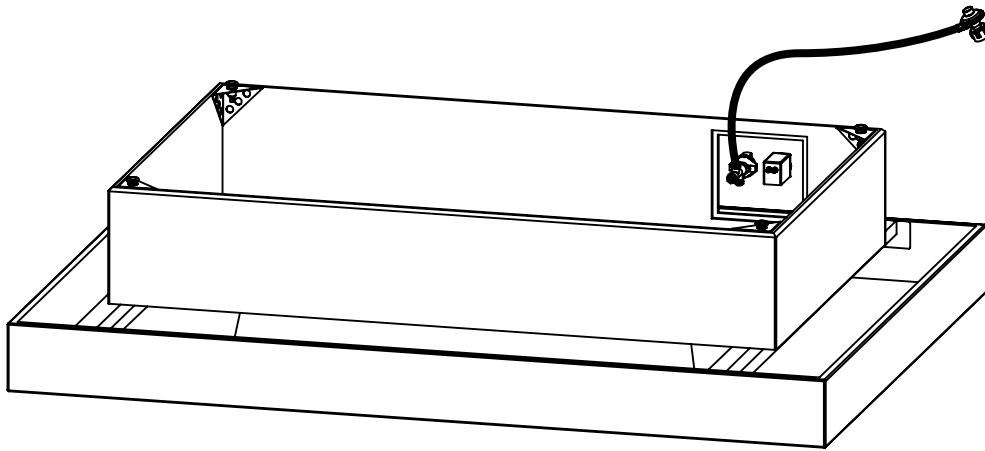
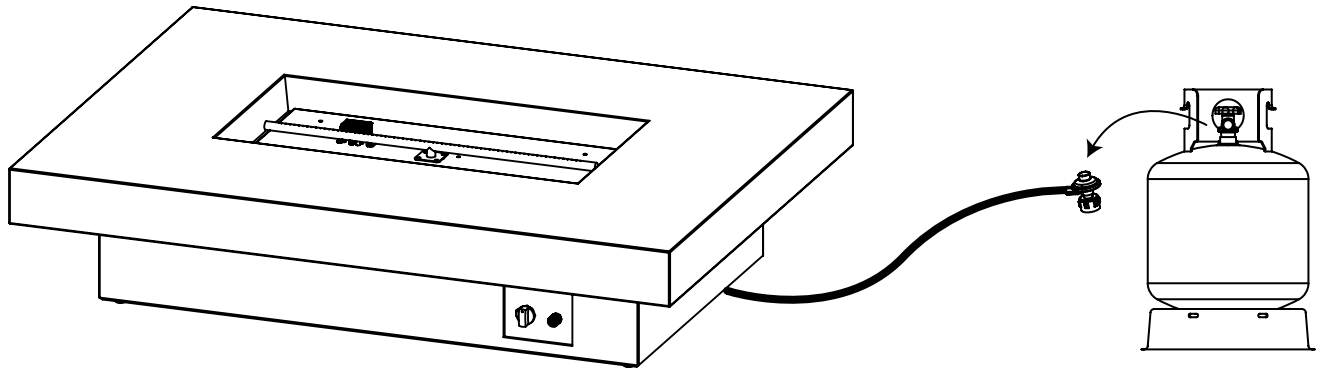
**by** \_\_\_\_\_  
 par \_\_\_\_\_ (Name and address of organization making this conversion)

**which accepts the responsibility that this conversion has been properly made.**  
 qui accepte la responsabilité que cette conversion a été faite correctement.

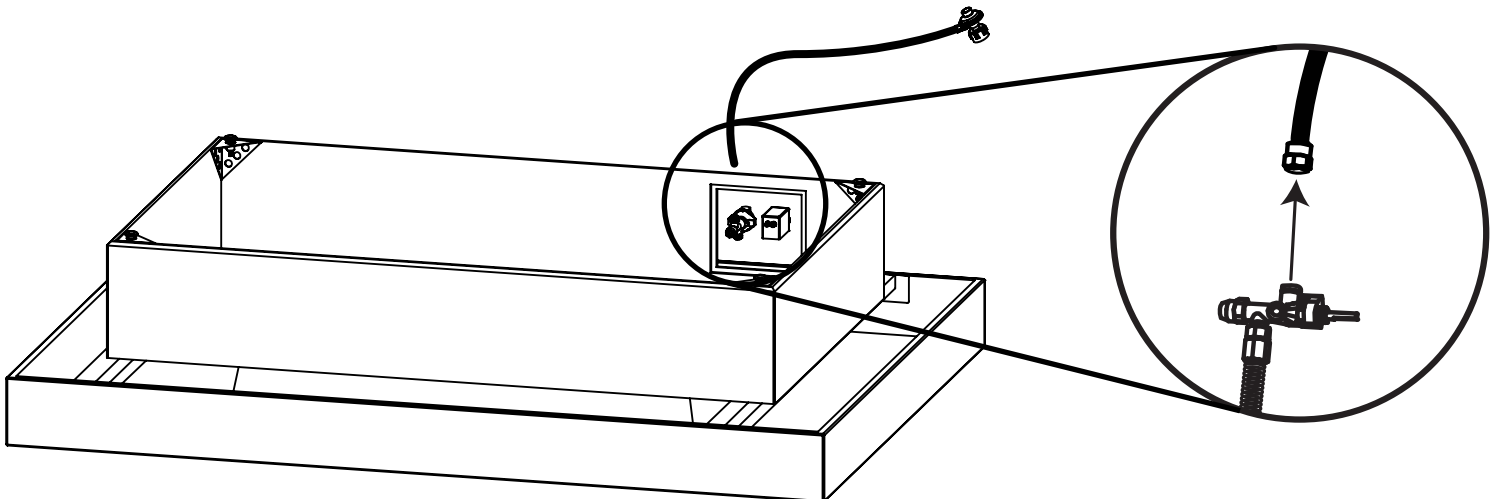
**After converting this fire table, this plaque must be hung from the center of the control panel with the provided cable.**  
 Après avoir transformé cette table à feu, cette plaque doit être suspendue au centre du panneau de commande avec le câble fourni.

# CONVERSION INSTRUCTIONS

1. Disconnect the black LP gas hose from the LP gas tank. Flip the fireplace upside down, placing it on a soft surface to avoid damaging the finish.

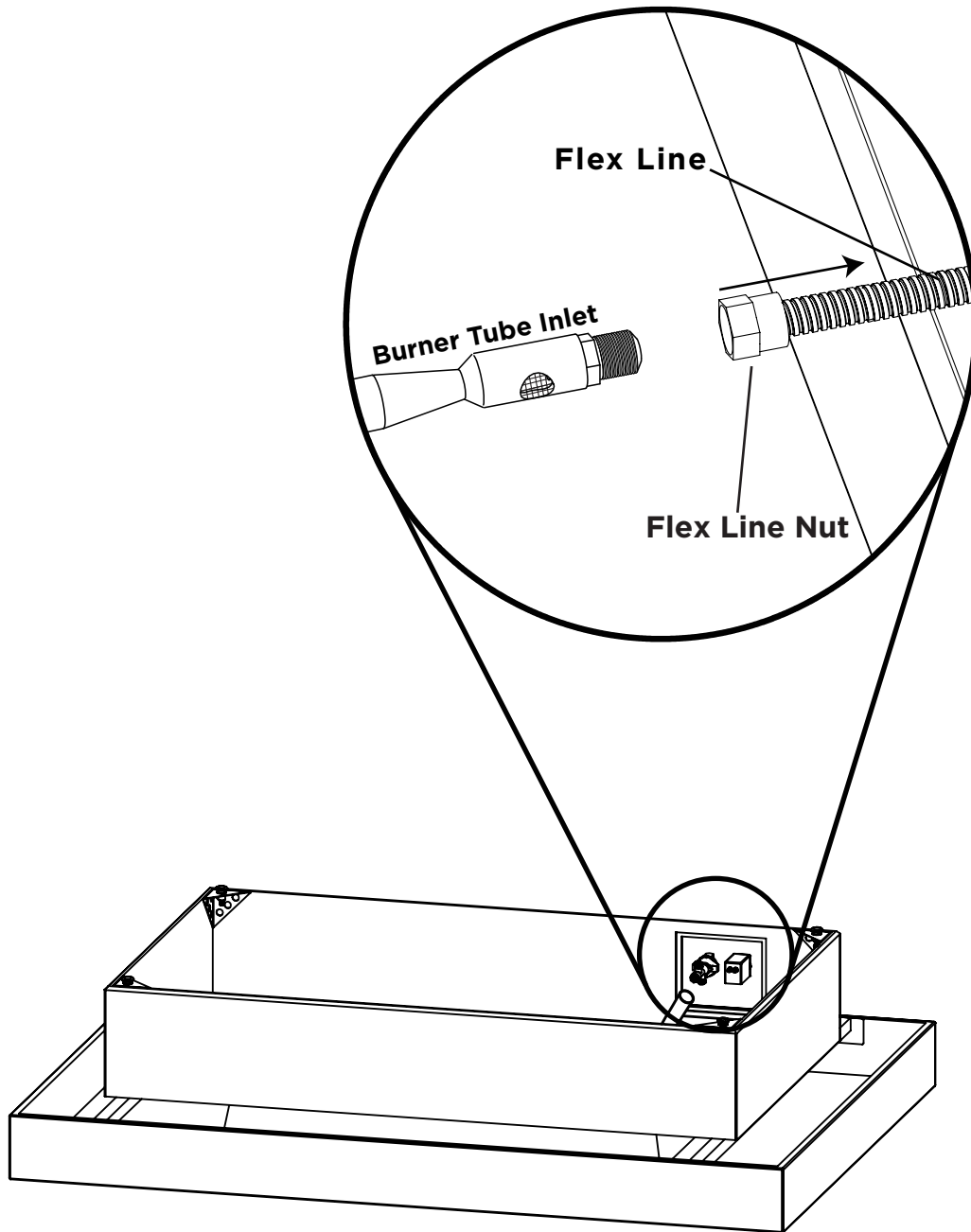


2. Disconnect the black LP gas hose from the input valve on the body of the fireplace.



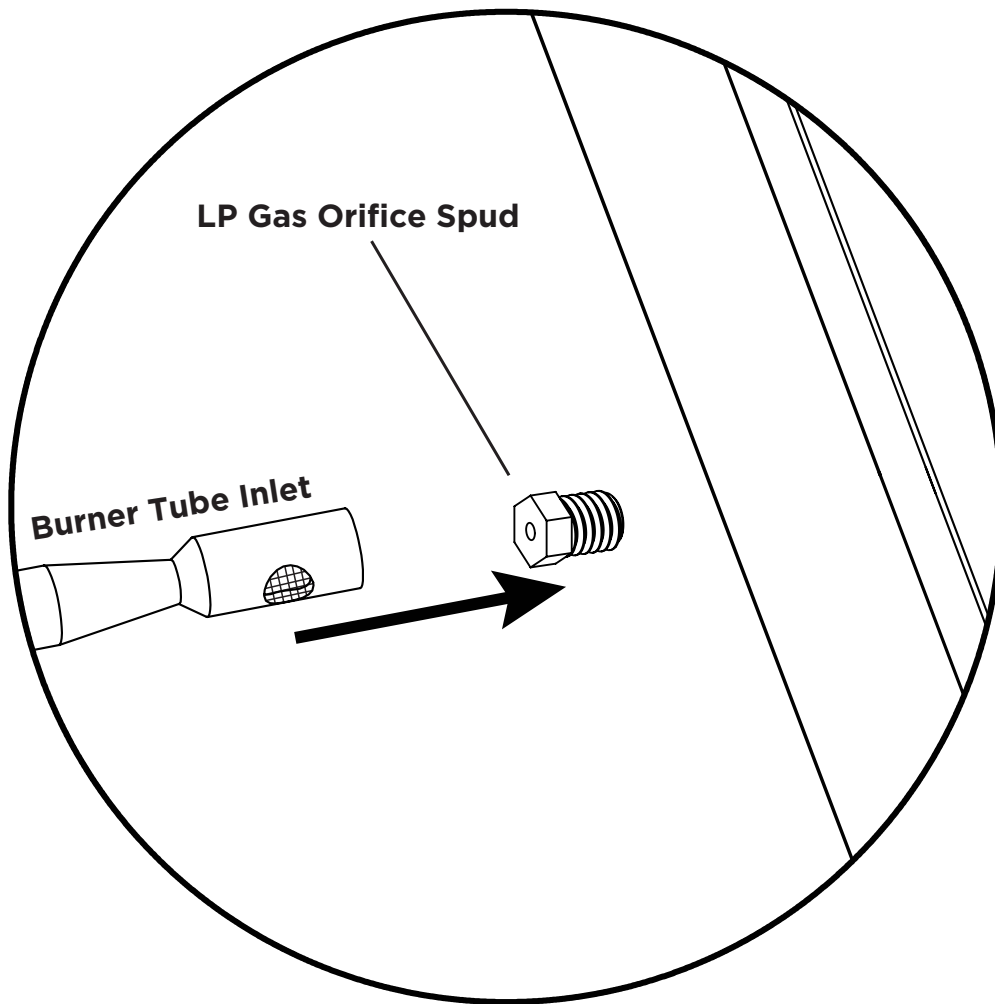
# CONVERSION INSTRUCTIONS

3. Disconnect the flex line from the burner tube inlet by unscrewing the nut at the end of the flex line.

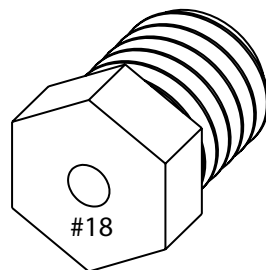


# CONVERSION INSTRUCTIONS

4. Remove the LP gas orifice spud from the burner tube inlet.

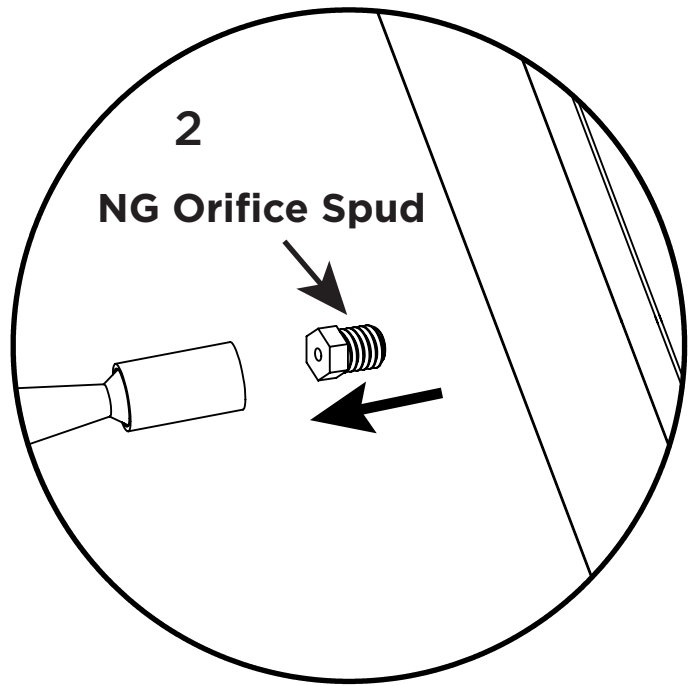
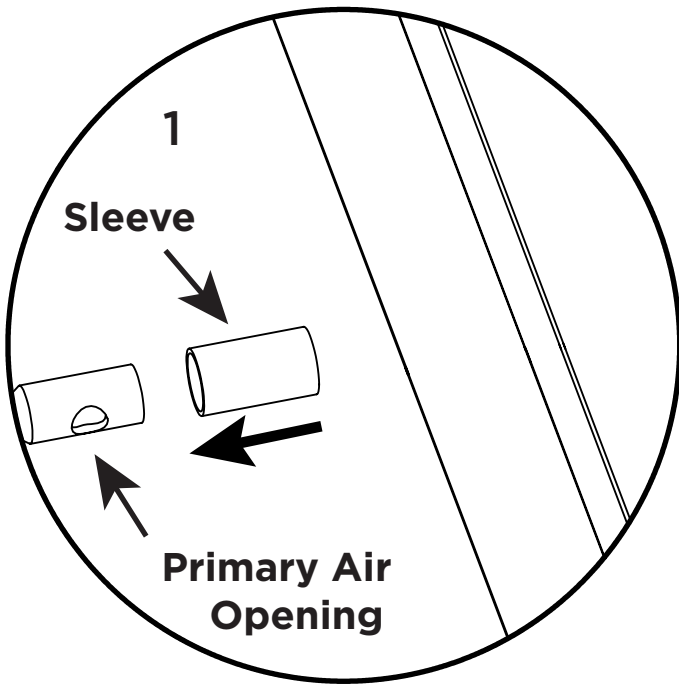


5. Locate the new NG orifice spud. Verify it is the correct number. The #18 should be on the end of the orifice spud.

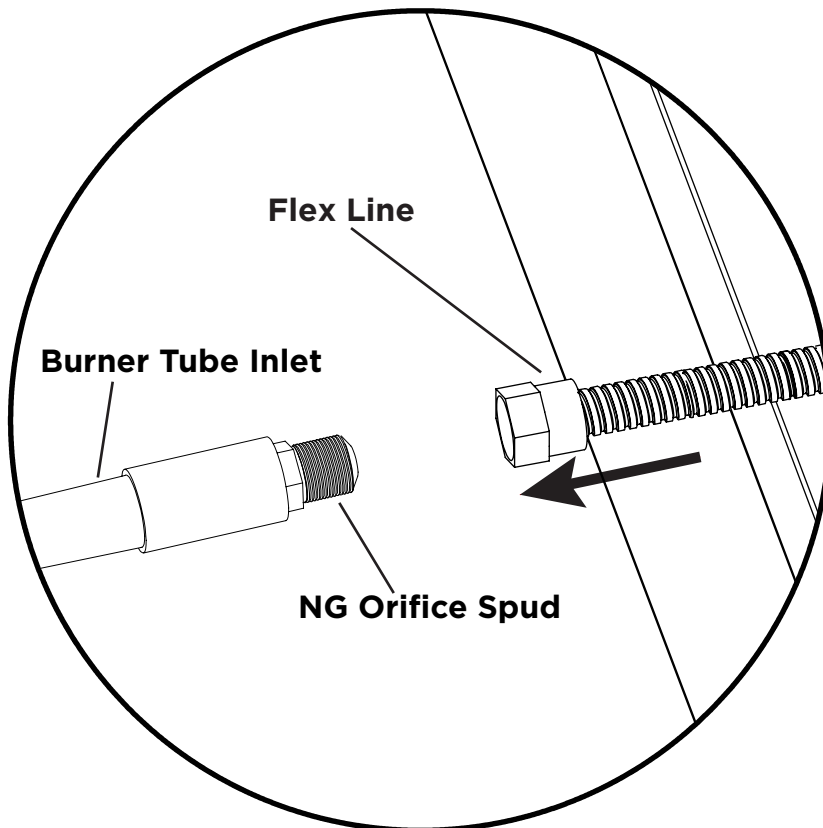


# CONVERSION INSTRUCTIONS

6. Slip the sleeve over the primary air opening (see Fig. 1). Next, screw the new NG orifice spud into the burner tube inlet (see Fig. 2).

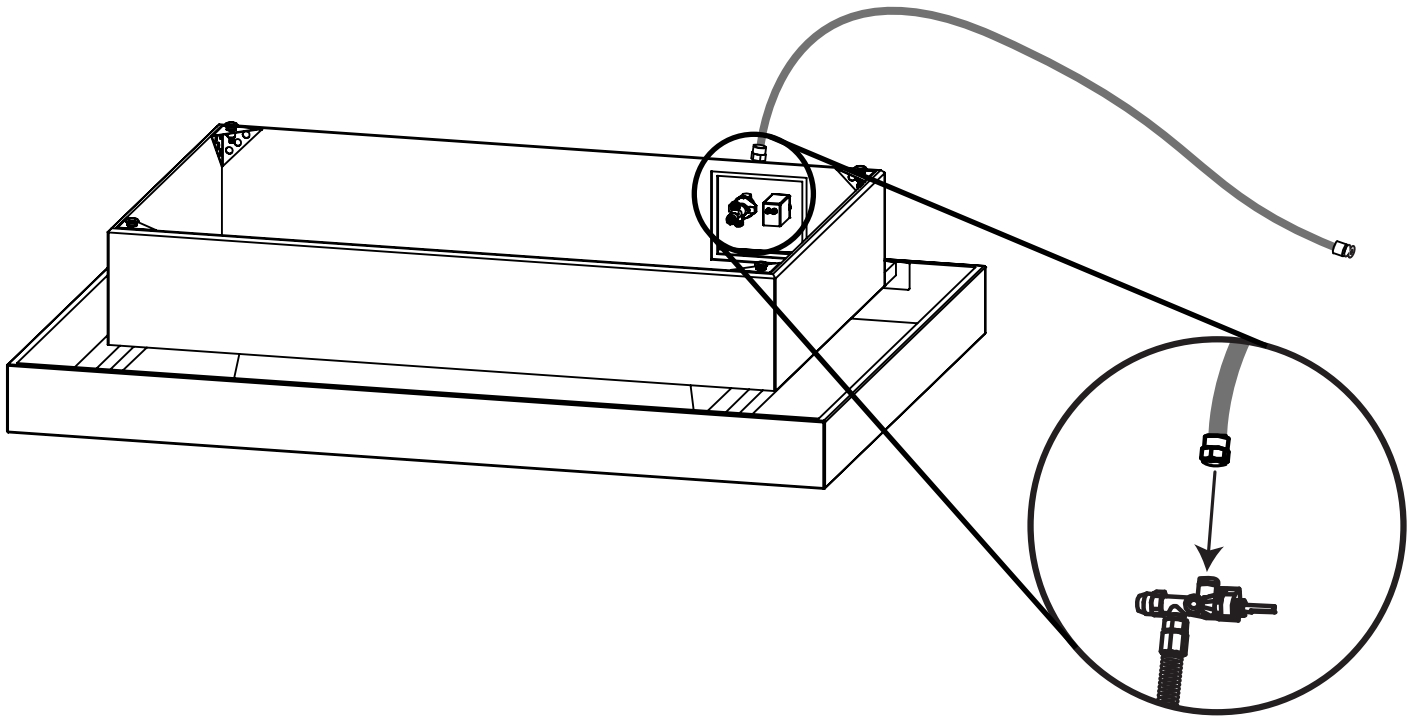


7. Reattach the flex line to the burner tube inlet.

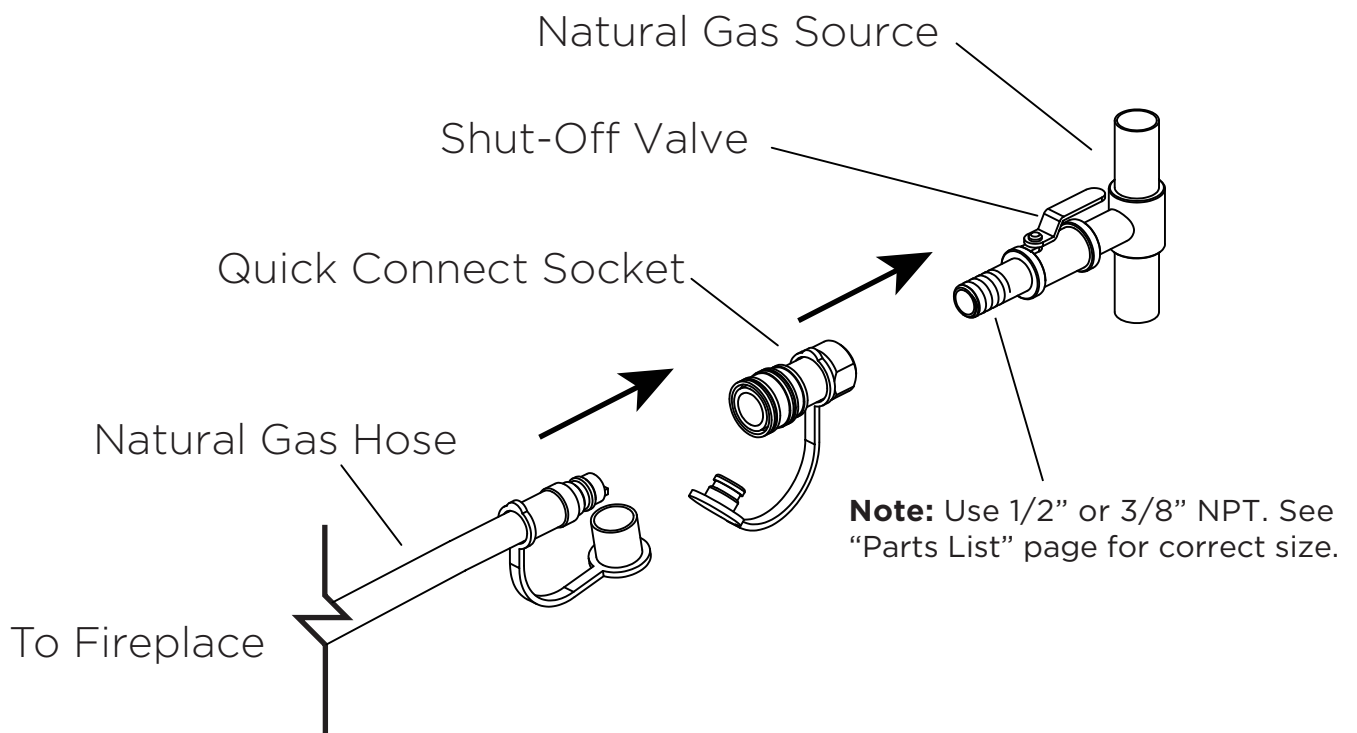


# CONVERSION INSTRUCTIONS

8. Attach the gray NG hose to the input side of the valve on the body of the fireplace.



9. Attach the quick connect socket to the natural gas source.



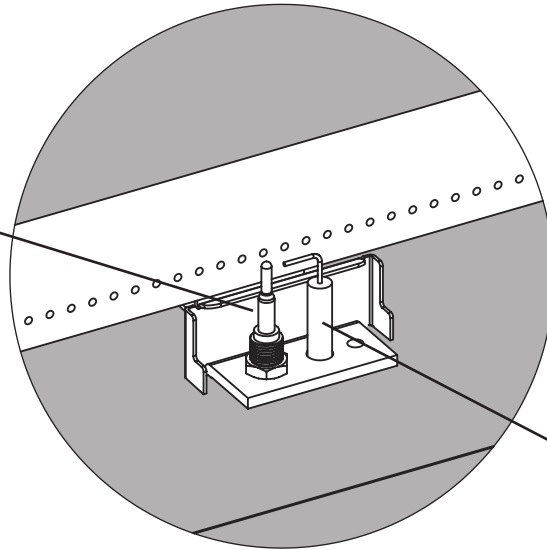


# CONVERSION INSTRUCTIONS

10. After installing the conversion kit, verify that the components are still correctly positioned (see diagram below).

## Thermocouple

Make sure the flame is contacting the thermocouple.



## Igniter Pin

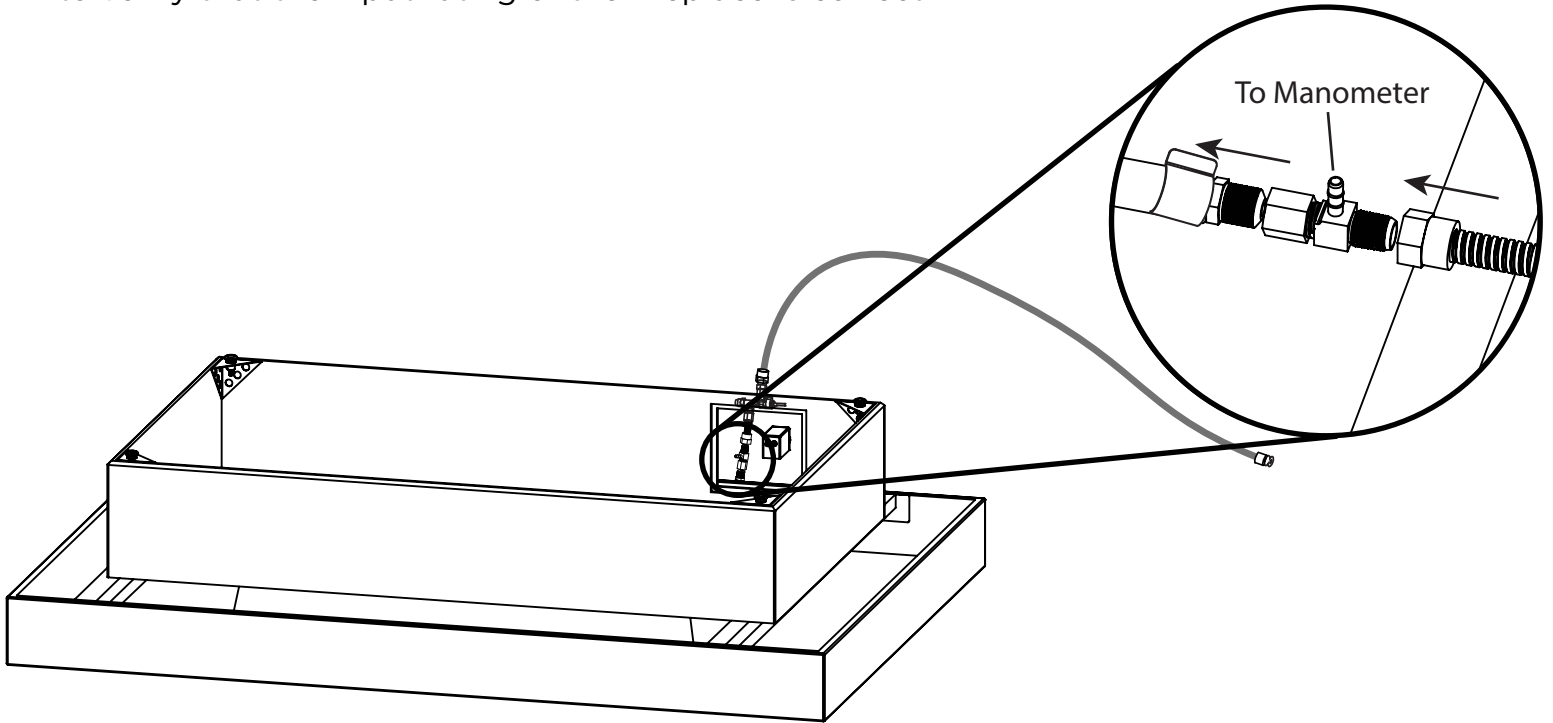
You should see the igniter pin spark when pushing the igniter button.

NOTE: Igniter housing removed for example only.

# PRE-USE INSTRUCTIONS

## Notes to Installation Technician

Verify the manifold pressure by using a 3/8" flared T-junction at the location marked in the diagram below. Then, using a digital manometer, verify that the pressure before the orifice is 7 W.C. (1.74 kPa). Also verify that the orifice spud has the 4.29mm stamp. This will allow you to verify that the input rating of the fireplace is correct.



### Installing at Altitude

Installations at elevations above 2,000 ft (609.6 m) may require adjustment. Contact Real Flame Customer Service at 1-800-654-1704 for further information.

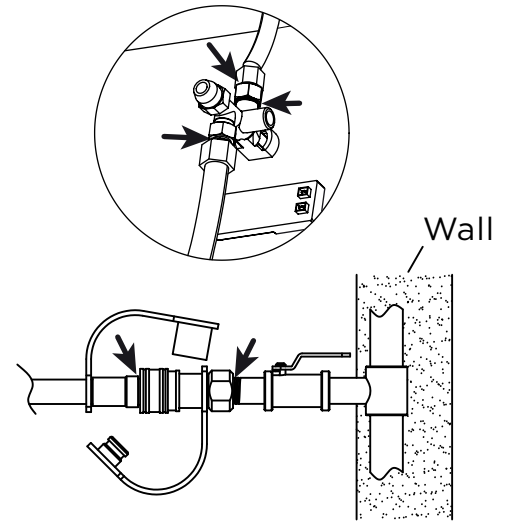
NOTE: The normal manifold pressure for this converted appliance is 7" water column.

NOTE: The maximum inlet gas pressure for this unit is 10.5 in W.C. (2.61 kPa).  
The minimum inlet gas pressure for this unit is 3.5 in W.C. (0.87 kPa).

# PRE-USE INSTRUCTIONS

## Checking For Leaks

1. Make a leak check solution by mixing 1 part dishwashing soap with 3 parts water in a spray bottle.
2. Make sure the control knob on the fireplace is in the “OFF” position, then connect your fireplace to the gas supply line and turn the gas on.
3. Spray the leak solution on the valve connections, paying particular attention to the areas indicated by arrows in the diagrams.
4. If bubbles appear, shut off the gas supply, disconnect the hose and inspect all connections making sure threads are clear of debris. Reconnect the hose, turn the gas supply on and retest. If you continue to see bubbles, turn the gas supply off, disconnect the hose and call Real Flame Customer Service at 1-800-654-1704 for assistance.
5. If no bubbles appear after 1 minute, wipe away excess leak solution and proceed to “Lighting Instructions.”



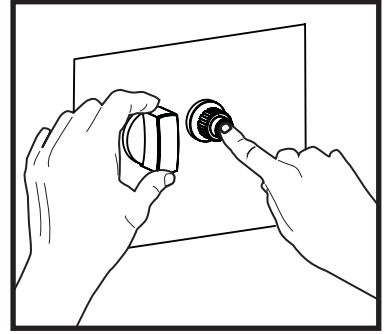
## Conversion Plaque

Using a wire cutters remove the French NG conversion plaque that is hanging from the control panel. Use the included cable kit to string both the French and English NG conversion plaques together and reattach them to the control panel.

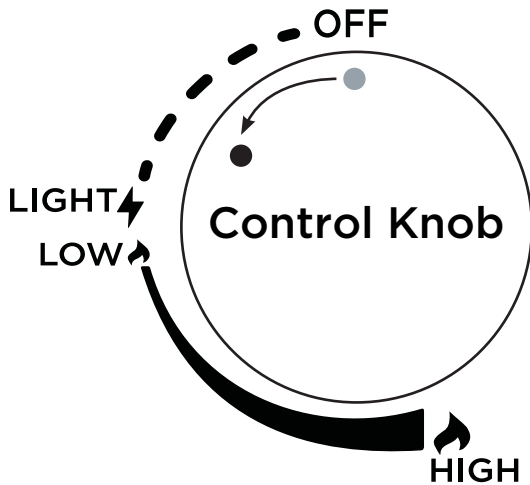
# LIGHTING INSTRUCTIONS

## Using the Igniter

1. Read and understand all operating instructions before lighting.
2. Before beginning, make sure the control knob is in the "OFF" position.
3. Connect the quick connect socket to the gas supply (see previous pages).
4. Slowly turn the gas on.
5. Prepare to ignite your fireplace by placing one hand on the control knob and one hand on the igniter button (see diagram). **DO NOT** lean over any part of the burner. Verify that the area around the burner is free of hazards.



6. Push and hold the igniter button. You should hear a clicking sound.
7. While keeping the ignition button depressed, use your other hand to push in and turn the control knob counter-clockwise to the "LIGHT" position.
8. Once the burner ignites, release the igniter button, but continue to keep the control knob pushed in for 15 seconds.  
**WARNING:** If ignition does not occur in 15 seconds, turn the control knob to the "OFF" position and turn the gas off at its source. Make sure there is no source of ignition around the fireplace and wait at least 5 minutes until the gas has cleared to repeat the lighting procedure. Failure to do so could result in a large flashback of pooled gas, causing property damage, serious injury, or death.
9. After successfully lighting the fireplace, release the control knob and turn it to the "LOW" setting. Observe the flame and make sure that all the burner ports are lit.
10. Adjust the flame to the desired height using the control knob.



## Flame Height



8-14" (20.3-35.5 cm)
-------------------------

## Shut-Off Instructions

1. Turn the control knob to the "OFF" position.
2. Turn off the gas supply at the source.

For additional technical support call  
Real Flame Customer Service at 1-800-654-1704.

# WARRANTY

## Limited Warranty

Real Flame® warrants that the following components of this Real Flame® fireplace ("the Product") will be free from manufacturing defects in material and workmanship after correct assembly and under normal use and proper maintenance for the periods indicated below, commencing with the date of purchase of the Product:

- The body - 5 year limited warranty.
- The internal components - 2 year limited warranty.
- The burner system - 2 year limited warranty.

This non-transferable warranty extends to the original purchaser only, provided that the purchase was made through an authorized Real Flame dealer. The warranty is also subject to the following conditions and limitations:

This warranty does not extend to damages caused by shipping, improper assembly, installation or storage, installation that does not comply with building codes and ordinances, installation or operation not in accordance with the included manual, abuse, lack of maintenance, hostile environments, accident, natural weather, or unworkmanlike repairs. Modification of the Product, use of fuels other than what is approved by Real Flame, or use of parts installed from other manufactures will nullify this warranty.

This warranty applies to the functionality of the Product only and does not cover cosmetic issues such as scratches, dents, rust, oxidation, corrosion, areas discolored or cracked due to prolonged exposure to extreme heat, or damage caused by abrasive or chemical cleaners. However, should deterioration of parts occur to the degree of non-performance within the duration of the warranty period, Real Flame will provide a replacement part.

Real Flame requires reasonable proof of your date of purchase. Therefore, you should retain your sales receipt and/or invoice. Defective parts subject to this warranty will not be replaced without proof of purchase.

Real Flame must have the opportunity to verify the alleged defect. In order for any internal components to be covered under warranty, Real Flame requires the user to troubleshoot with a Real Flame Customer Service member to ensure proper operation and diagnosis of issue.

In the event of covered defects in warranted items, Real Flame will, at its sole option and discretion, replace the defective component, replace the Product or refund the purchase price. Real Flame is not responsible for the installation, labor or any other costs associated with the reinstallation. The foregoing is the exclusive remedy under the terms of this limited warranty. Real Flame will not be responsible for any incidental or consequential damages caused by defects in the Product. Some states do not allow the exclusion or limitation of incidental or consequential damages, so the above limitation or exclusion may not apply to you.

This limited warranty is the sole express warranty given by Real Flame. The duration of any implied warranty arising under the laws of any state, including implied warranty of merchantability or fitness for a particular purpose or use, is limited to the duration of the warranty specified above. Some states do not allow limitations on how long an implied warranty lasts, so this limitation may not apply to you.

This warranty gives you specific legal rights, and you may also have other rights which vary from State to State.

For warranty service:

1. Call Real Flame Customer Service at 1-800-654-1704 for technical support and troubleshooting.
2. If experiencing issues with finish, please fill out the 'Outdoor Warranty Claim' form at [www.realflame.com](http://www.realflame.com).

# RETURN POLICY

## **Return Policy**

You may return your purchase within 90 days of receipt. No refunds will be issued for incomplete or unauthorized returns. All returned products must be 100% complete, adequately packaged in original packaging and in resalable condition. Products that have been assembled or modified will not be eligible for return. All items must be returned in their entirety, meaning all items included must be returned together. No returns or exchanges on discontinued items. Please begin the return process by contacting the store or company where you bought your Real Flame® item.

## **Replacement Parts**

In the event that an item has been lost or damaged, either by the manufacturer or in shipping, you may request a replacement. Replacement parts are not available for all units and only given at Real Flame's discretion. We will assess any damage and find a solution, which could include shipping you a replacement. No replacements are available for discontinued items or repackaged (open box) products. Please call Real Flame Customer Service at 1-800-654-1704 for replacement parts before returning the damaged item. Please have the following information (which can be found in your instruction manual) ready before you call Customer Service:

- Model number of item
- 4-8 digit part number
- Lot code number
- Shipping address
- A picture of the damaged item may be requested. Pictures should be sent to [custserv@realflame.com](mailto:custserv@realflame.com).

## **Incorrect Order Received**

If you received something other than what you ordered, please contact Real Flame Customer Service at 1-800-654-1704 within 48 hours of receiving the item.

Refer to [www.realflame.com](http://www.realflame.com) for our complete return guidelines and policies.

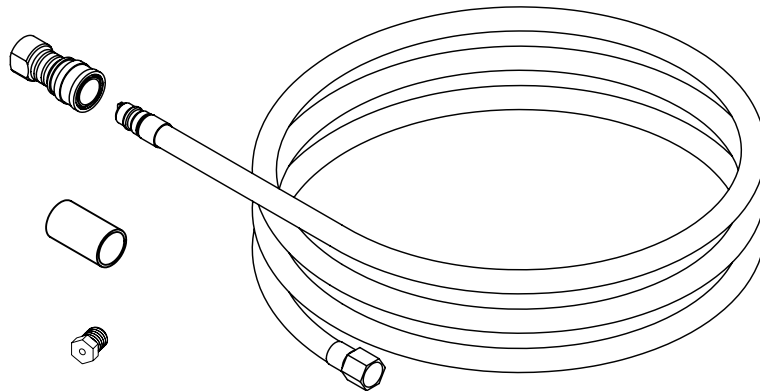
Please register your fireplace for recall notifications, proof of ownership and quality assurance at <https://www.realflame.com/registration>.

Real Flame®  
7800 Northwestern Ave.  
Racine, WI 53406  
USA

Customer Service: 1-800-654-1704 in USA  
Service à la clientèle: 1-800-363-6443 in Canada  
[csrep@realflame.com](mailto:csrep@realflame.com)

# JENSEN CO

ESTD 1982



## Manuel d'ensemble de conversion pour gaz naturel

**REMARQUE :** Cet ensemble de conversion sert à transformer un foyer au gaz de pétrole liquéfié (GPL) en un foyer au gaz naturel (GN).

### **⚠ DANGER**

#### **RISQUE DE MONOXYDE DE CARBONE**

Cet appareil peut produire du monoxyde de carbone qui n'a pas d'odeur. Son utilisation dans un espace clos peut vous tuer. Ne jamais utiliser cet appareil dans un espace clos tel qu'une caravane, une tente, une voiture ou une maison.



### **⚠ DANGER**

#### **RISQUES D'INCENDIE ET D'EXPLOSION :**

- Couper l'alimentation en gaz vers l'appareil.
- Éteindre toute flamme nue.
- Si l'odeur persiste, quitter immédiatement l'endroit.
- Après avoir quitté les lieux, appeler votre fournisseur de gaz ou le service d'incendie.

Si ces précautions ne sont pas respectées, cela pourrait provoquer un incendie ou une explosion, pouvant causer des dommages matériels, des blessures ou la mort.

### **⚠ AVERTISSEMENT : POUR UN USAGE EXTÉRIEUR UNIQUEMENT.**

L'installation et l'entretien doivent être effectués par un installateur qualifié, un service d'entretien ou le fournisseur de gaz.

**INSTALLATEUR :** Laisser ce manuel avec l'appareil.  
**CONSOMMATEUR :** Conserver ce manuel pour référence future.

**⚠ AVERTISSEMENT :** Si les informations contenues dans ce manuel ne sont pas suivies à la lettre, un incendie ou une explosion pourrait survenir et entraîner des dommages matériels, des blessures graves ou la mort.

**⚠ AVERTISSEMENT :** Ne pas entreposer et ne pas utiliser d'essence ou d'autres liquides ou vapeurs inflammables à proximité de cet appareil ou de tout autre appareil. Un réservoir de GPL non raccordé pour être utilisé ne doit pas être entreposé à proximité de cet appareil ou de tout autre appareil.



# TABLE DES MATIÈRES

Liste des pièces	3
Instructions de conversion	4
Instructions avant l'utilisation	10
Instructions d'allumage	12
Garantie	13
Politiques de retour	14

**REMARQUE:** En plus de ces instructions, lire et comprendre tous les avertissements inclus dans le manuel du propriétaire du foyer.

## ▲ AVERTISSEMENT

- **Le service d'entretien qualifié est responsable de la bonne installation de cet ensemble. L'installation n'est pas appropriée ni complète jusqu'à ce que le fonctionnement du foyer transformé soit vérifié conformément aux instructions du fabricant fournies avec cet ensemble.**
- **Cet ensemble de conversion doit être installé par un service d'entretien qualifié conformément aux instructions de Real Flame et à tous les codes et exigences en vigueur de l'autorité compétente.**
- **Si les informations contenues dans ces instructions ne sont pas suivies à la lettre, un incendie, une explosion ou la production de monoxyde de carbone pourrait survenir, entraînant des dommages matériels, des blessures corporelles ou la mort.**

## SPÉCIFICATIONS

Type de gaz : gaz naturel (GN)  
Débit par heure normal: 65,000 BTUs/hr (19.05 kW)  
Pression du collecteur : 7,0 po colonne d'eau (1,74 kPa)  
Pression d'entrée minimum : 3,5 po colonne d'eau (0,87 kPa)  
Pression d'entrée maximum : 10,5 po colonne d'eau (2,61 kPa)

**Ce foyer a été transformé le** \_\_\_\_\_  
(JJ/MM/AA)

**au gaz naturel avec l'ensemble n°** \_\_\_\_\_  
(Se trouve sur la boîte.)

**par** \_\_\_\_\_,  
(Nom et adresse de l'entreprise qui fait cette conversion.)

**qui accepte la responsabilité que cette conversion a été  
correctement effectuée.**

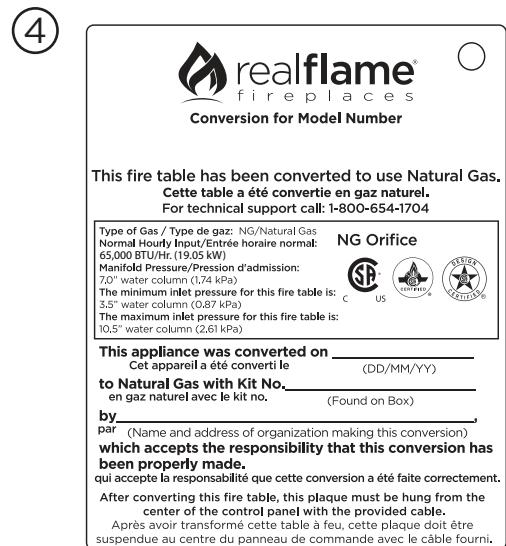
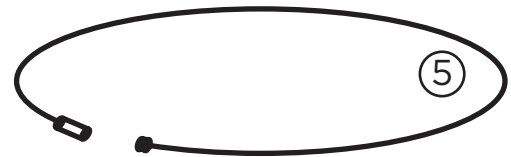
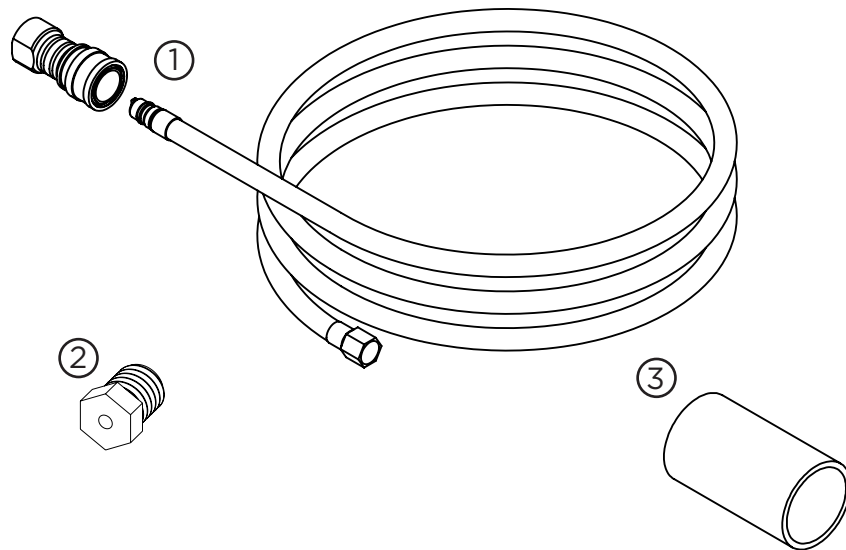
Remarques: \_\_\_\_\_



# LISTE DES PIÈCES

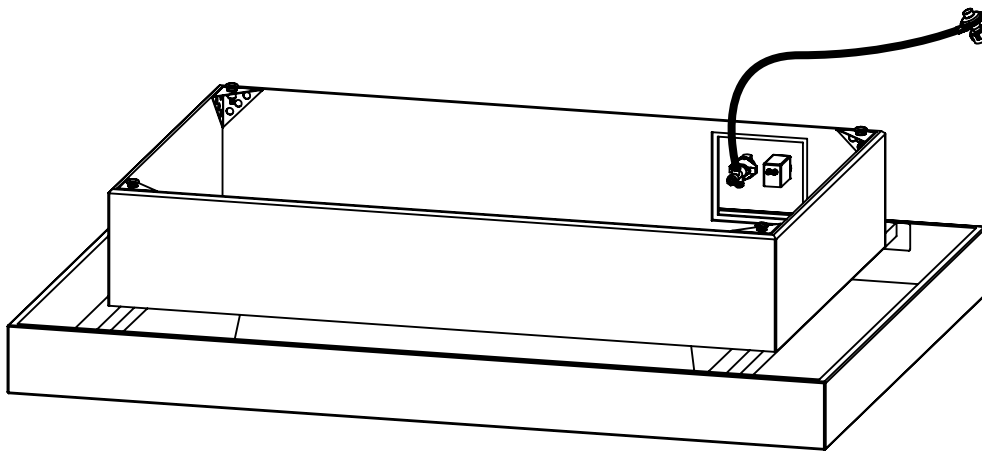
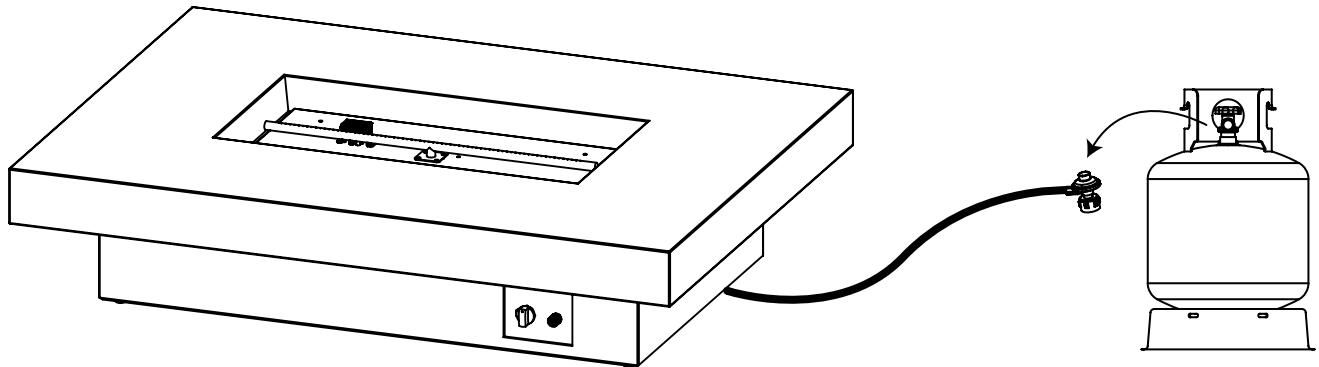
Ensemble de conversion pour gaz naturel n° 00023107U/ U0002-07  
 Pour utilisation avec les foyers Real Flame : 1581LP

- ① Tuyau de gaz naturel et raccord rapide (3/8 po NPT)
- ② Tête d'injecteur à filetage mâle GNT #18 (4.29mm)
- ③ Manchon de mélangeur d'air principal
- ④ Plaque de conversion
- ⑤ Ensemble de câble

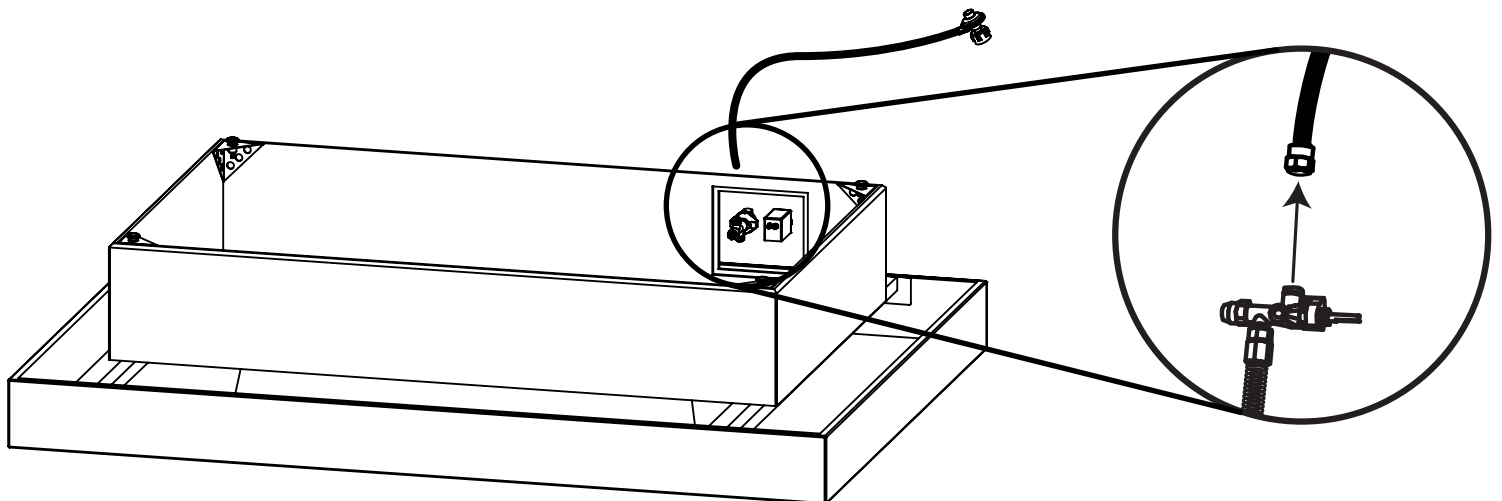


# INSTRUCTIONS DE CONVERSION

1. Débrancher le tuyau noir du GPL du réservoir de GPL. Retourner le foyer à l'envers en le plaçant sur une surface douce pour éviter d'endommager le fini.

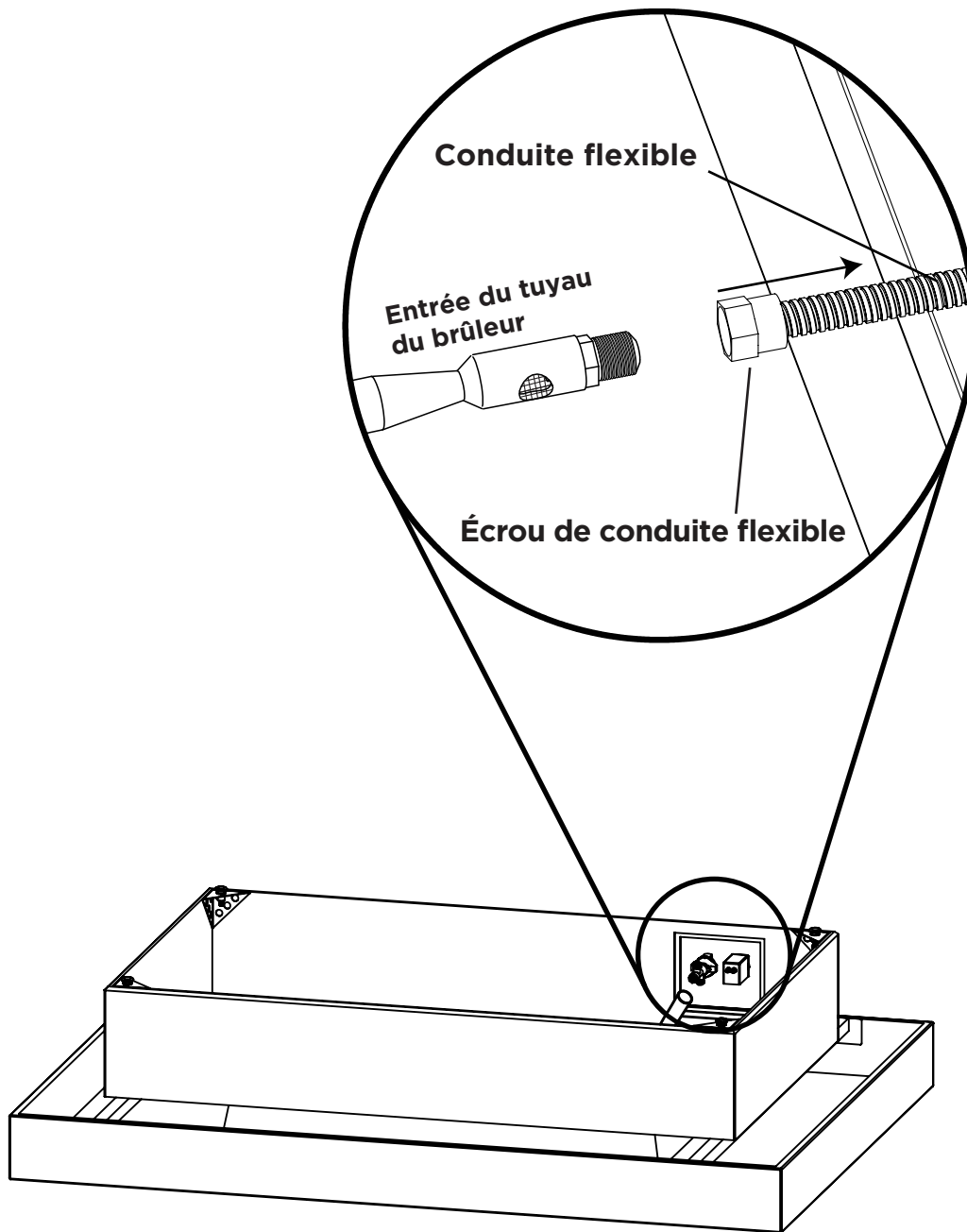


2. Débrancher le tuyau noir du GPL de la vanne d'entrée sur le corps du foyer.



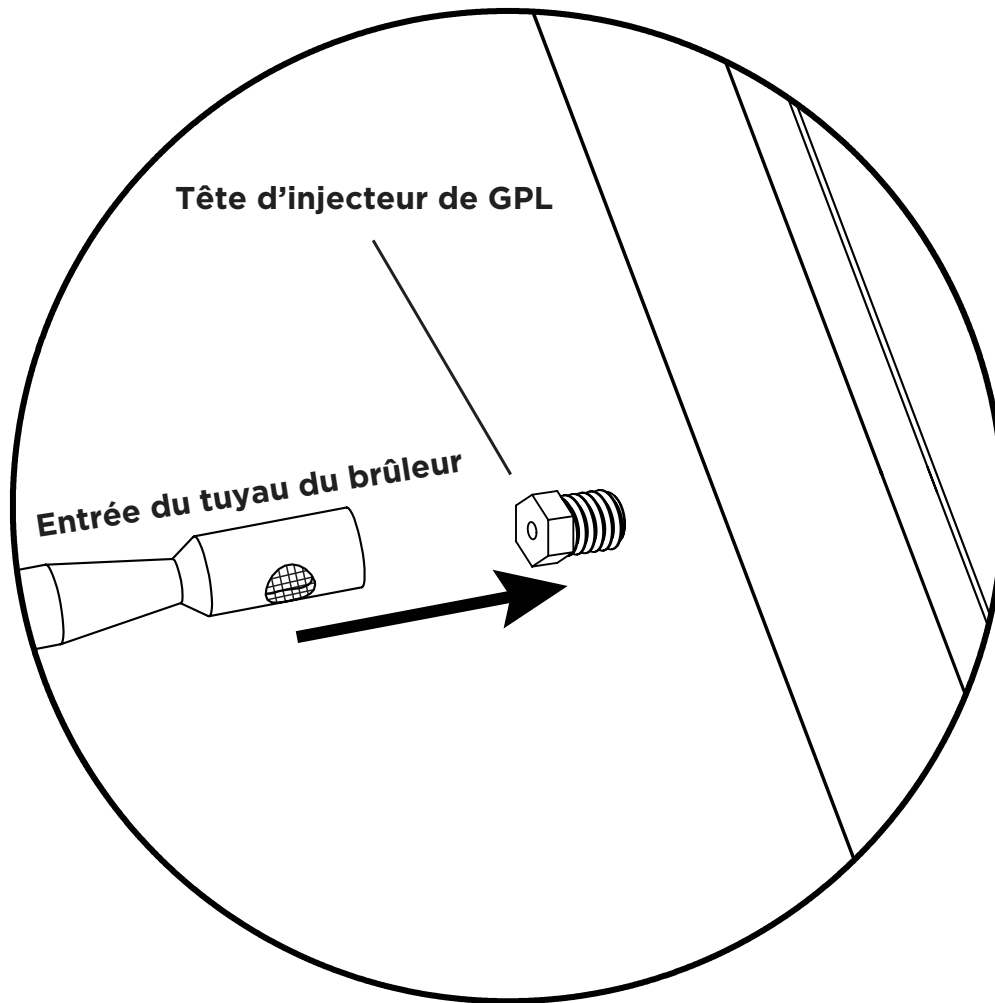
# INSTRUCTIONS DE CONVERSION

3. Déconnecter la conduite flexible de l'entrée du tuyau du brûleur en dévissant l'écrou à l'extrémité de la conduite flexible.

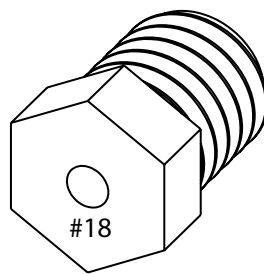


# INSTRUCTIONS DE CONVERSION

4. Retirer la tête d'injecteur de GPL de l'entrée du tuyau du brûleur.



5. Localiser la nouvelle tête d'injecteur de GN. Vérifier si elle possède le bon numéro. #18 devrait être sur l'extrémité de la tête d'injecteur.



# INSTRUCTIONS DE CONVERSION

6. Glisser le manchon sur l'ouverture d'air principale (voir Fig. 1). Ensuite, visser la nouvelle tête d'injecteur GN dans l'entrée du tuyau du brûleur (voir Fig. 2).

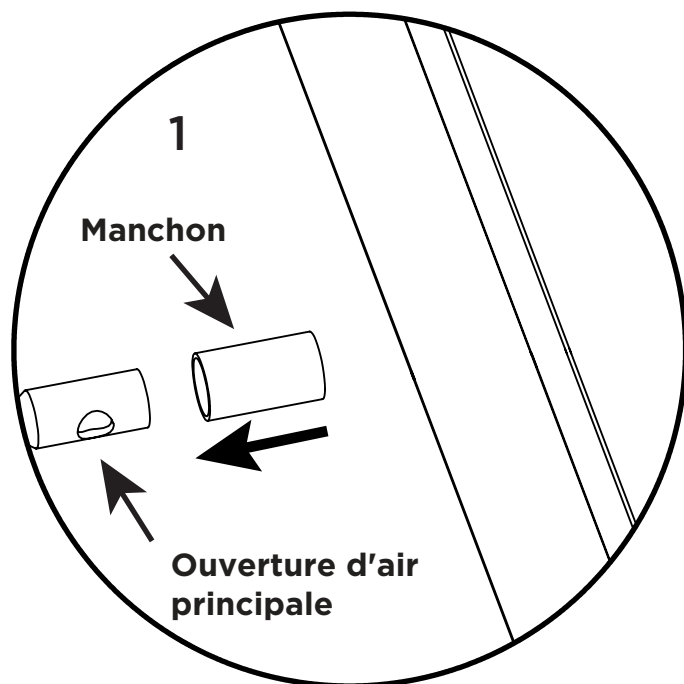


Fig. 1

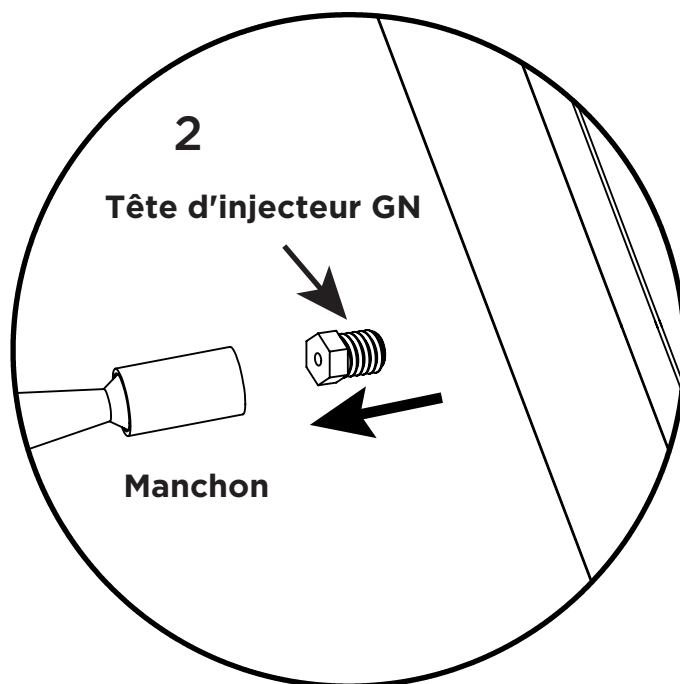
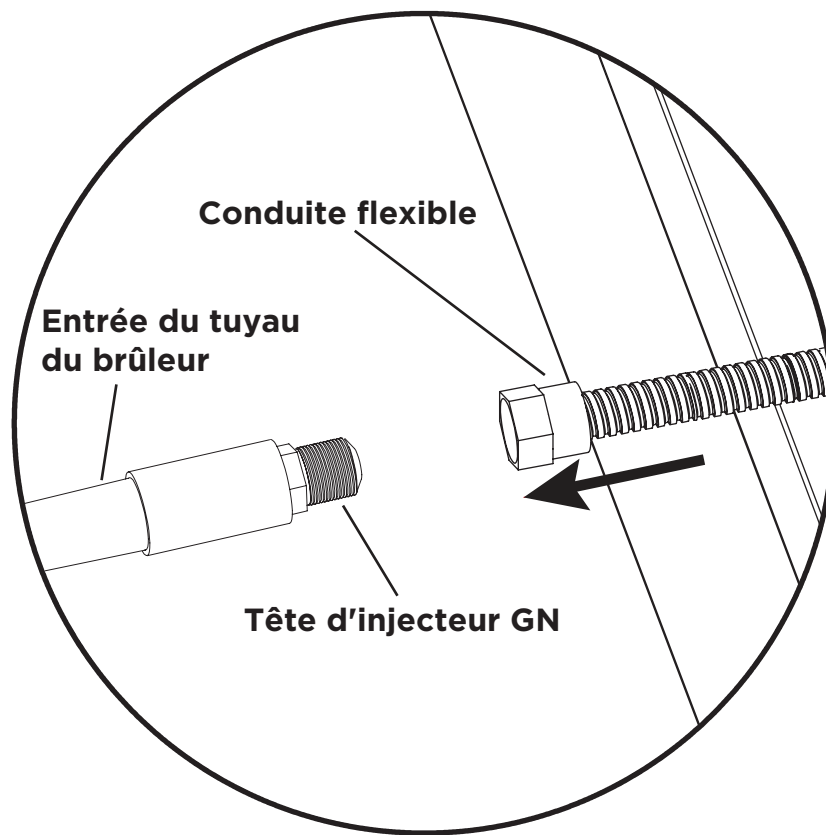


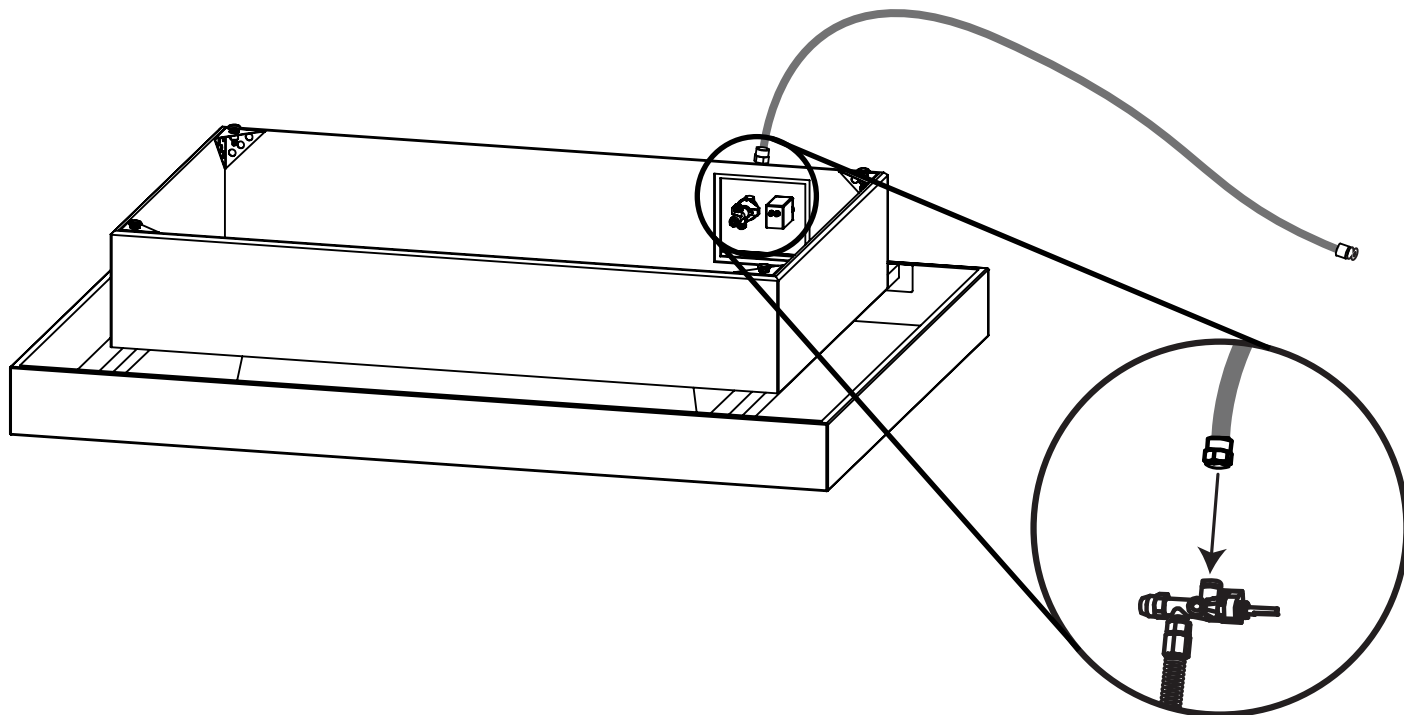
Fig. 2

7. Rattacher la conduite flexible à l'entrée du tuyau du brûleur.

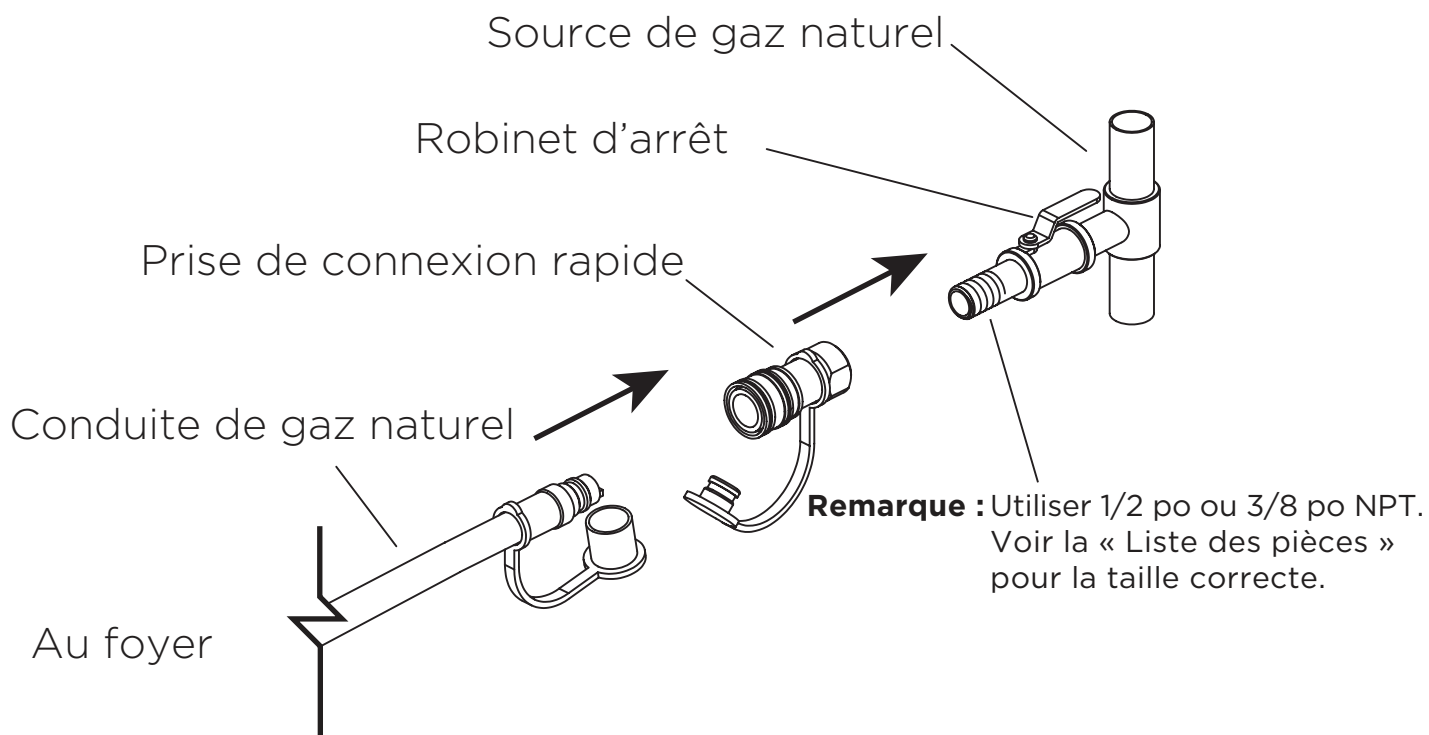


# INSTRUCTIONS DE CONVERSION

8. Raccorder le tuyau gris du GN sur le côté entrée de la vanne sur le corps du foyer.



9. Raccorder la prise de connexion rapide à la source de gaz naturel.

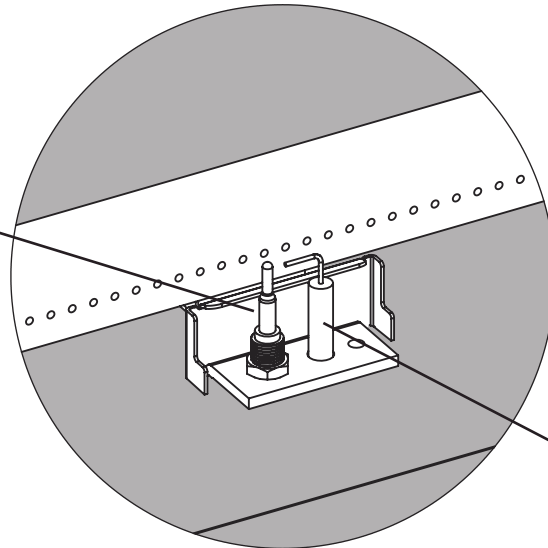


# INSTRUCTIONS DE CONVERSION

10. Après avoir installé l'ensemble de conversion, vérifier que les composants sont toujours correctement positionnés (voir le schéma ci-dessous).

## Thermocouple

S'assurer que la flamme est en contact avec le thermocouple.



## Broche d'allumage

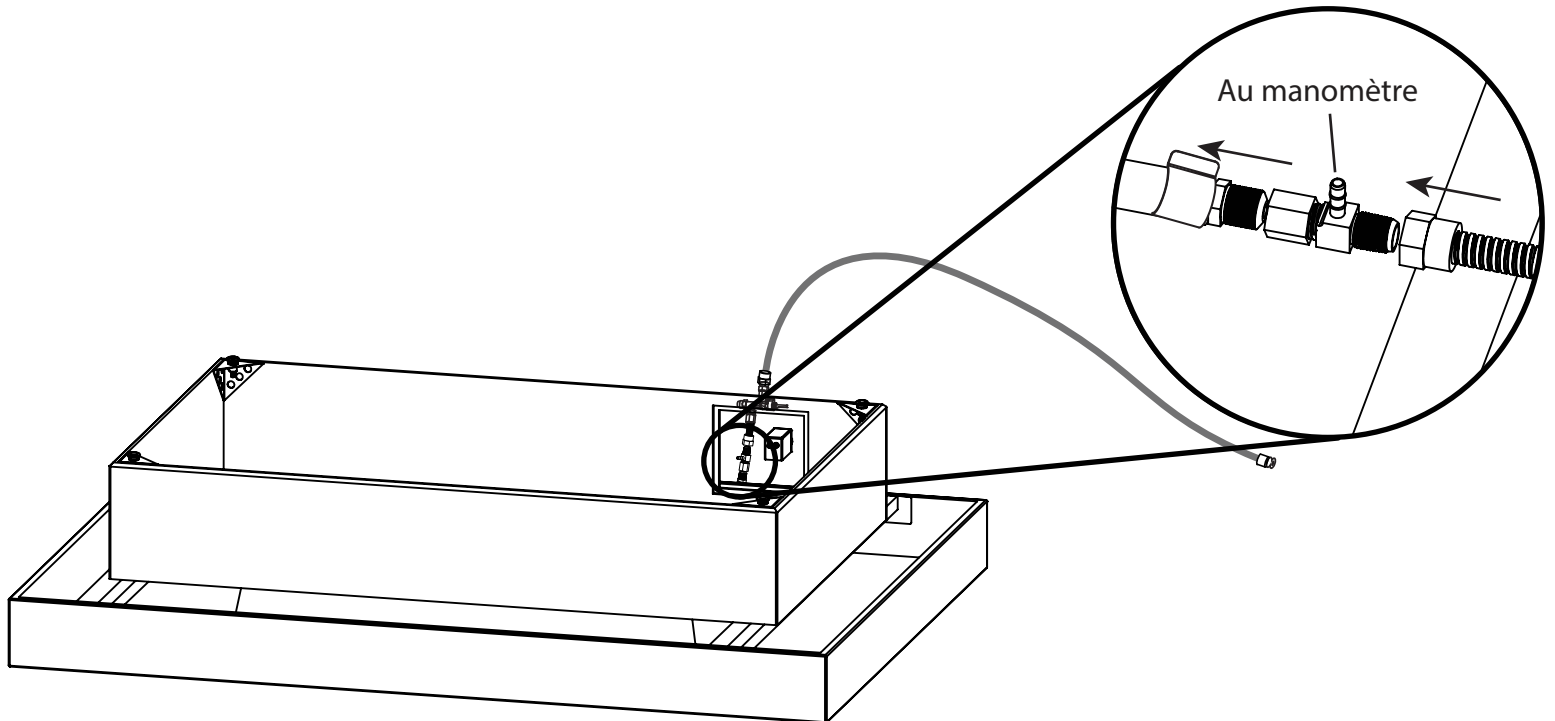
L'étincelle de la broche d'allumage devrait être visible en appuyant sur le bouton de l'allumeur.

REMARQUE : Le boîtier de l'allumeur a été retiré, par exemple uniquement.

# INSTRUCTIONS AVANT L'UTILISATION

## Remarques pour le technicien d'installation

Vérifier la pression du collecteur en utilisant un raccord en T évasé de 3/8 po à l'emplacement indiqué dans le schéma ci-dessous. Puis, à l'aide d'un manomètre numérique, vérifier que la pression avant l'orifice est de 7 W.C. (1,74 kPa). Vérifier également que 4,29 mm soit inscrit sur la tête d'injecteur. Cela vous permettra de vérifier que le classement d'entrée du foyer est correct.



### Installation en altitude

Les installations à des altitudes supérieures à 610 m (2 000 pi) peuvent nécessiter une adaptation. Contacter le service à la clientèle Real Flame au 1-800-654-1704 pour de plus amples informations.

REMARQUE : La pression du collecteur normale pour cet appareil transformé est 7 po de colonne d'eau.

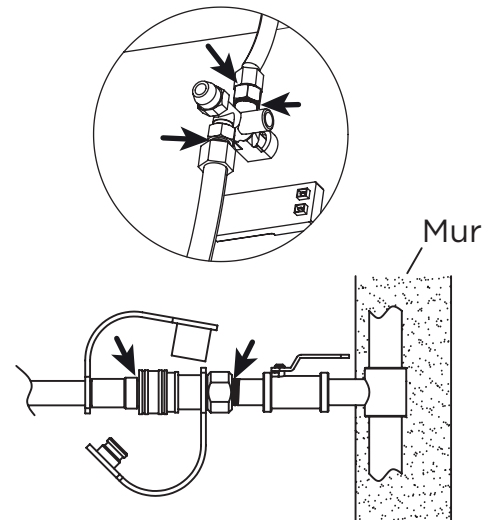
REMARQUE : La pression des gaz d'entrée maximum pour cet appareil est de 10,5 W.C. (2,61 kPa).  
La pression des gaz d'entrée minimum pour cet appareil est de 3,5 W.C. (0,87 kPa).



# INSTRUCTIONS AVANT L'UTILISATION

## Vérification des fuites

1. Faire une solution de vérification des fuites en mélangeant une part de savon à vaisselle avec trois parts d'eau dans un flacon pulvérisateur.
2. S'assurer que le bouton de commande sur le foyer est en position ARRÊT, puis connecter le foyer à la conduite d'alimentation en gaz et l'ouvrir.
3. Pulvériser la solution de fuite sur les raccords de la vanne, en accordant une attention particulière aux zones indiquées dans les diagrammes ci-dessous par des flèches.
4. Si des bulles apparaissent, fermer l'alimentation, débrancher la conduite et inspecter tous les raccords, en s'assurant que les filets ne contiennent pas de débris. Rebrancher la conduite, ouvrir l'alimentation en gaz et refaire le test. S'il y a encore des bulles, éteindre l'alimentation en gaz, la débrancher et appeler le service à la clientèle Real Flame au 1-800-654-1704 pour obtenir de l'assistance.
5. Si aucune bulle n'apparaît après une minute, essuyer la solution de fuite excédentaire et passer à l'étape suivante.



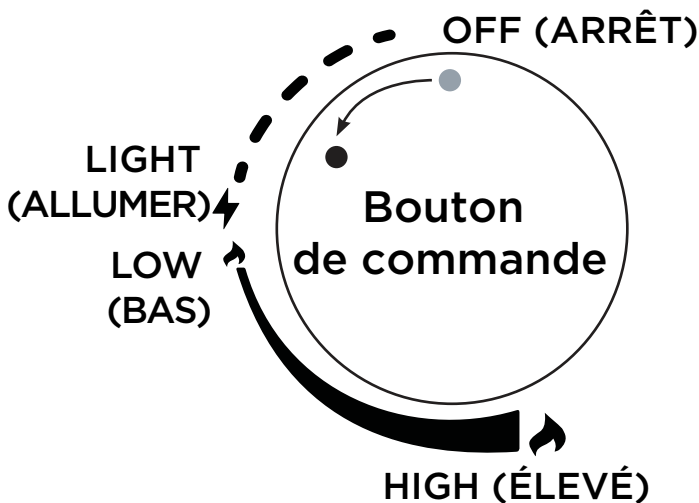
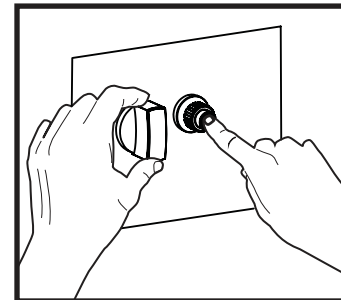
## Plaque de conversion

À l'aide d'un coupe-fil, retirer la plaque de conversion GN française accrochée au panneau de commande. Utiliser le nécessaire de câble fourni pour attacher ensemble les plaques de conversion GN française et anglaise, puis les rattacher au panneau de commande.

# INSTRUCTIONS D'ALLUMAGE

## Utilisation de l'allumeur

1. Lire et comprendre toutes les instructions d'utilisation avant l'allumage.
2. Avant de commencer, s'assurer que le bouton de commande est en position ARRÊT.
3. Brancher le raccord rapide à l'alimentation en gaz (voir pages précédentes).
4. Ouvrir lentement le gaz.
5. Se préparer à allumer le foyer en plaçant une main sur le bouton de commande et une main sur le bouton d'allumage (comme indiqué sur le schéma). **NE PAS** s'appuyer sur aucune partie du brûleur. Vérifier que la zone autour du brûleur est exempte de risques.
6. Appuyer et maintenir l'allumeur enfoncé. Des cliquetis se feront entendre.
7. Tout en maintenant l'allumeur enfoncé d'une main, utiliser l'autre main pour pousser et tourner le bouton de commande sur la position ALLUMER.
8. Une fois que le brûleur s'allume, relâcher l'allumeur, mais continuer à maintenir le bouton de commande enfoncé pendant 15 secondes.  
**AVERTISSEMENT** : Si l'allumage ne se produit pas en 15 secondes, tourner le bouton de commande sur la position ARRÊT et éteindre le gaz à sa source. S'assurer qu'il n'y a pas de source d'inflammation autour du foyer et attendre au moins cinq minutes jusqu'à ce que le gaz se soit dissipé pour répéter la procédure d'allumage. Si ce n'est pas fait, il y a un risque de générer un grand retour de gaz accumulé, causant des dommages aux biens, des blessures graves ou la mort.
9. Après avoir réussi à allumer le foyer, relâcher le bouton de commande et le tourner au réglage BAS. Observer la flamme et s'assurer que tous les orifices de brûlage sont allumés.
10. Régler la flamme à la hauteur désirée en utilisant le bouton de commande.



## Instructions de fermeture

1. Tourner le bouton de commande à la position OFF (ARRÊT).
2. Éteindre l'alimentation en gaz à la source.

Pour un support technique supplémentaire,  
appeler le service à la clientèle de Real Flame au 1-800-654-1704.

# GARANTIE

## Garantie limitée

Real Flame® garantit que les composants suivants de ce foyer Real Flame® (« le Produit ») seront exempts de défauts de fabrication de matériaux et de main d'œuvre après un assemblage correct et dans des conditions normales d'utilisation et d'entretien pour les périodes indiquées ci-dessous, à compter de la date d'achat du Produit :

- Le corps - Garantie limitée de 5 ans.
- Les composants internes - Garantie limitée de 2 ans.
- Le système de brûleur - Garantie limitée de 2 ans.

Cette garantie ne s'applique qu'à l'acheteur d'origine, à condition que l'achat ait été effectué auprès d'un revendeur agréé Real Flame. La garantie est également soumise aux conditions et limitations suivantes :

Cette garantie ne s'étend pas aux dommages causés par l'expédition, un assemblage, une installation ou un entreposage incorrects, une installation non conforme aux codes et normes du bâtiment, une installation ou un fonctionnement non conforme au manuel inclus, des abus, un manque d'entretien, des environnements hostiles, un accident, les intempéries ou les réparations impropres. La modification du produit, l'utilisation de carburants autres que ceux approuvés par Real Flame ou l'utilisation de pièces installées d'autres fabricants annulera cette garantie.

Cette garantie s'applique uniquement au fonctionnement du produit et ne couvre pas les problèmes cosmétiques tels que les rayures, les bosses, la rouille, l'oxydation, la corrosion ou la décoloration causées par la chaleur, zones décolorées ou fissurées en raison d'une exposition prolongée à une chaleur extrême, les nettoyeurs abrasifs et les nettoyeurs chimiques. Cependant, si une détérioration des pièces se produit au point de non-performance pendant la durée de la période de garantie, Real Flame fournira une pièce de rechange.

Real Flame nécessite une preuve raisonnable de votre date d'achat. Par conséquent, vous devez conserver votre reçu de caisse et / ou votre facture. Les pièces défectueuses soumises à cette garantie ne seront pas remplacées sans preuve d'achat.

Real Flame doit avoir la possibilité de vérifier le défaut allégué. Pour que tous les composants internes soient couverts par la garantie, Real Flame demande à l'utilisateur d'obtenir de l'aide auprès d'un membre du service client Real Flame pour assurer le bon fonctionnement et le diagnostic du problème.

En cas de défauts couverts d'articles garantis, Real Flame remplacera, à sa seule discrétion, remplacera le composant défectueux, le produit ou remboursera le prix d'achat. Real Flame n'est pas responsable de l'installation, de la main-d'œuvre ou de tout autre coût associé à la réinstallation. Ce qui précède est le recours exclusif aux termes de cette garantie limitée. Real Flame ne sera pas responsable des dommages accessoires ou indirects causés par des défauts dans le produit. Certains états n'autorisent pas l'exclusion ou la limitation des dommages accessoires ou indirects, de sorte que la limitation ou l'exclusion ci-dessus peut ne pas s'appliquer à vous.

Cette garantie limitée est la seule garantie expresse donnée par Real Flame. La durée de toute garantie implicite découlant des lois de tout État, y compris la garantie implicite de qualité marchande ou d'adéquation à un usage ou à un usage particulier, est limitée à la durée de la garantie spécifiée ci-dessus. Certains États n'autorisent pas les limitations de la durée d'une garantie implicite, il se peut donc que cette limitation ne s'applique pas à vous.

Cette garantie vous donne des droits légaux spécifiques, et vous pouvez également avoir d'autres droits qui varient d'un État à l'autre.

Pour le service de garantie :

1. Contacter le service à la clientèle Real Flame au 1-800-654-1704 pour le support technique et le dépannage.
2. Si vous rencontrez des problèmes avec la finition, veuillez remplir le formulaire « Réclamation de garantie extérieure » sur [www.realflame.com](http://www.realflame.com).

# POLITIQUES DE RETOUR

## Politiques de retour

L'achat peut être retourné dans les 90 jours suivant la réception. Il n'y aura aucun remboursement pour de retours incomplets ou non autorisés. Tous les produits retournés doivent être à 100 % complets, emballé d'une manière adéquate, dans l'emballage original et dans une condition revendable. Les produits qui ont été assemblés ou modifiés ne seront pas admissibles au retour. Tous les éléments doivent être retournés dans leur intégralité, ce qui signifie que tous les éléments inclus doivent être retournés ensemble. Aucuns échanges ou retours pour les articles retirés. Commencer le processus de retour en contactant le magasin ou l'entreprise où l'article Real Flame® a été acheté.

## Pièces de remplacement

Dans le cas où un article a été perdu ou détérioré, soit par le fabricant ou pendant le transport, une pièce de remplacement peut être demandée. Les pièces de remplacement ne sont pas disponibles pour tous les appareils et sont données à la discrétion de Real Flame. Nous évaluerons tout dommage et trouverons une solution, ce qui pourrait inclure la livraison du remplacement. On ne peut pas remplacer les articles retirés ou les produits remballés (emballage ouvert). Appeler le Service à la clientèle de Real Flame 800-654-1704 pour les pièces de remplacement avant de retourner l'article endommagé. Avoir les informations suivantes (qui se trouvent dans le manuel d'utilisation) avant d'appeler le Service à la clientèle :

- Numéro de modèle de l'article
- Numéro de référence de 4-8 chiffres
- Numéro de code de lot
- Adresse de livraison
- Une photo de l'article endommagé peut être demandée. Les photos doivent être envoyées à [custserv@realflame.com](mailto:custserv@realflame.com)

## Commande incorrecte reçue

En cas de la réception de quelque chose d'autre que ce qui a été commandé, contacter le Service à la clientèle de Real Flame au 800-654-1704 dans un délai de 48 heures après avoir reçu l'article.

Consulter [www.realflame.com](http://www.realflame.com) pour nos directives et nos politiques de retour complètes.

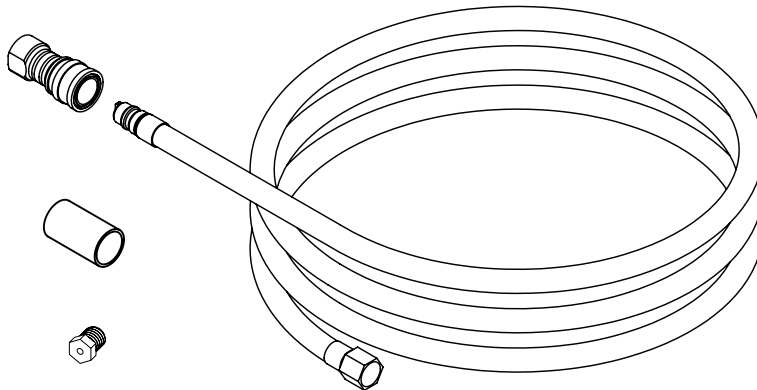
Veillez enregistrer votre foyer pour recevoir les notifications de rappel, les preuves de propriété et l'assurance qualité à l'adresse <https://www.realflame.com/registration>.

Real Flame®  
7800 Northwestern Ave.  
Racine, WI 53406  
USA

Customer Service: 1-800-654-1704 in USA  
Service à la clientèle: 1-800-363-6443 in Canada  
[csrep@realflame.com](mailto:csrep@realflame.com)

# JENSEN CO

ESTD 1982



## Manual del kit de conversión a gas natural (NG)

**NOTA:** Este kit de conversión es para transformar una chimenea a gas de propano líquido (LP) en una chimenea a gas natural (natural gas, NG).

### **⚠ PELIGRO**

#### **RIESGO DE MONÓXIDO DE CARBONO**

Este artefacto puede producir monóxido de carbono, el cual no tiene olor. Usarlo en un espacio cerrado puede causarle la muerte. Nunca use este artefacto en un espacio cerrado tal como una caravana, tienda, carro o vivienda.



### **⚠ PELIGRO**

#### **RIESGO DE INCENDIO O EXPLOSIÓN SI HUELE A GAS:**

- Corte el suministro de gas al artefacto.
- Apague las llamas expuestas.
- Si el olor continúa, abandone el área de inmediato.
- Después de abandonar el área, llame a su proveedor de gas o al Departamento de bomberos.

No seguir estas instrucciones pudiera resultar en un incendio o explosión, lo cual pudiera ocasionar daños a la propiedad, lesiones personales o la muerte.

### **⚠ ADVERTENCIA: SOLO PARA USO EN EXTERIORES.**

La instalación y el servicio los debe realizar un instalador calificado, una agencia de servicio o el proveedor de gas.

**INSTALADOR:** Deje este manual con el artefacto.  
**CONSUMIDOR:** Conserve este manual para referencia futura.

**⚠ ADVERTENCIA:** Si no se sigue exactamente la información de este manual, puede resultar en un incendio o explosión ocasionando daños a la propiedad, lesiones graves o la muerte.

**⚠ ADVERTENCIA:** No almacene ni use gasolina, ni otros vapores o líquidos inflamables, en las inmediaciones de este o de cualquier otro artefacto. Un tanque de gas de propano líquido (LP) no conectado para el uso no se debe almacenar en las inmediaciones de este o de cualquier otro artefacto.



# ÍNDICE

Lista de piezas	3
Instrucciones de conversión	4
Instrucciones previas al uso	10
Instrucciones de encendido	12
Garantía	13
Política de devolución	14

**NOTA:** Además de estas instrucciones, lea y comprenda todas las advertencias incluidas con el Manual del propietario de la chimenea.

## **⚠ ADVERTENCIA**

- **La agencia de servicio calificada es responsable de la instalación adecuada de este kit. La instalación no es adecuada y completa hasta que la operación de la chimenea convertida esté verificada como se especifica en las instrucciones del fabricante que se suministran con este kit.**
- **Este kit de conversión será instalado por una agencia de servicio calificada de acuerdo con las instrucciones de Real Flame y todos los códigos y requisitos de la autoridad que tenga jurisdicción.**
- **Si no se acata exactamente la información de este manual, puede resultar en un incendio, explosión o la producción de monóxido de carbono ocasionando daños a la propiedad, lesiones graves o la muerte.**

## ESPECIFICACIONES

Tipo de gas: Gas natural (NG)  
Entrada normal por hora: 65,000 BTUs/hr (19.05 kW)  
Presión del colector: Columna de agua de 7.0" (1.74 kPa)  
Presión mínima de entrada: Columna de agua de 3.5" (0.87 kPa)  
Presión máxima de entrada: Columna de agua de 10.5" (2.61 kPa)

**Esta chimenea fue convertida el \_\_\_\_\_**  
(DD/MM/AA)

**a gas natural (NG) con el kit N.º \_\_\_\_\_**  
(Se encuentra en la caja.)

**por \_\_\_\_\_,**  
(Nombre y dirección de la organización que realizó esta conversión.)

**la cual acepta la responsabilidad de que esta conversión ha sido adecuadamente realizada.**

Notas: \_\_\_\_\_

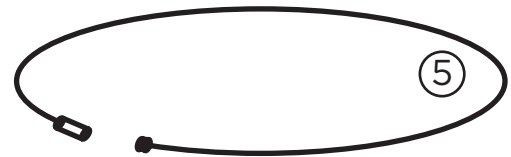
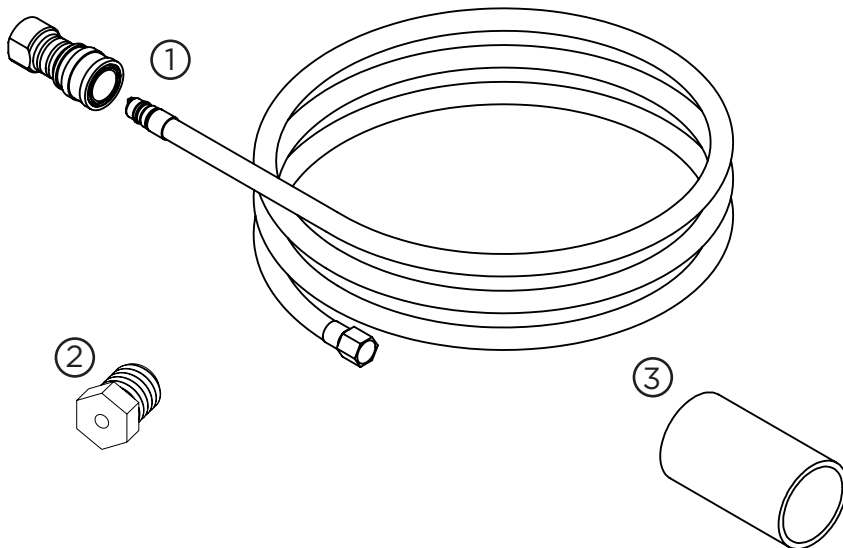
\_\_\_\_\_

# LISTA DE PIEZAS

Kit de conversión a gas natural (NG) N.º 00023107U/ U0002-07

Para uso con chimeneas Real Flame: 1581LP

- ① Manguera de gas natural y de acoplamiento rápido (3/8" NPT)
- ② Espita del orificio de gas natural de #18 (4.29mm)
- ③ Manguito mezclador de aire primario
- ④ Placa de conversión
- ⑤ Kit del cable



④

**realflame**  
fireplaces  
Conversion for Model Number

This fire table has been converted to use Natural Gas.

For technical support call: 1-800-654-1704

Type of Gas / Tipo de gas: NG/Natural Gas Normal Hourly Input/Entrada normal por hora: <b>NG Orifice</b> 65,000 BTU/Hr. (19.05 kW) Manifold Pressure/Presión del colector: 7.0" water column (1.74 kPa) The minimum inlet pressure for this fire table is: 3.5" water column (0.87 kPa) The maximum inlet pressure for this fire table is: 10.5" water column (2.61 kPa)	   
--	--------------

**This appliance was converted on** \_\_\_\_\_  
 Esta chimenea fue convertida el (DD/MM/YY)

**to Natural Gas with Kit No.** \_\_\_\_\_  
 a gas natural (NG) con el kit N.º (Found on Box)

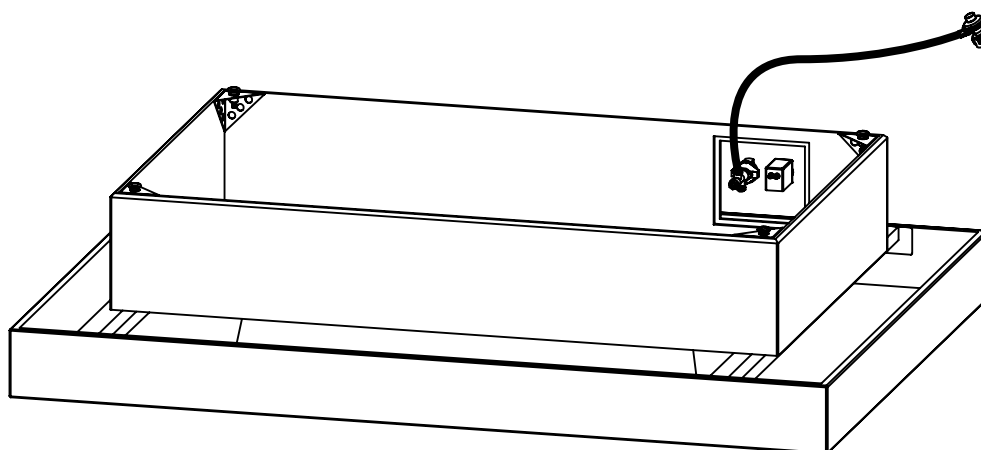
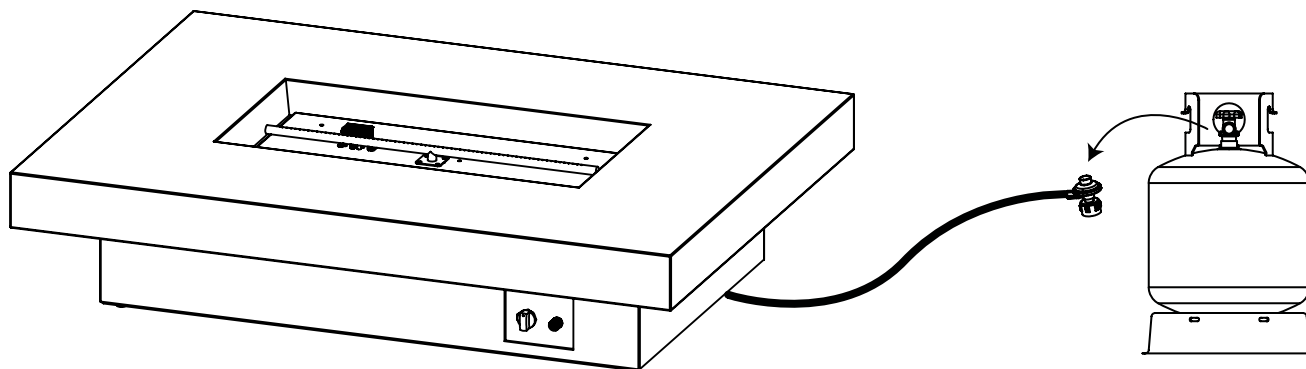
**by** \_\_\_\_\_  
 por (Name and address of organization making this conversion)

**which accepts the responsibility that this conversion has been properly made.**  
 la cual acepta la responsabilidad de que esta conversión ha sido adecuadamente realizada.

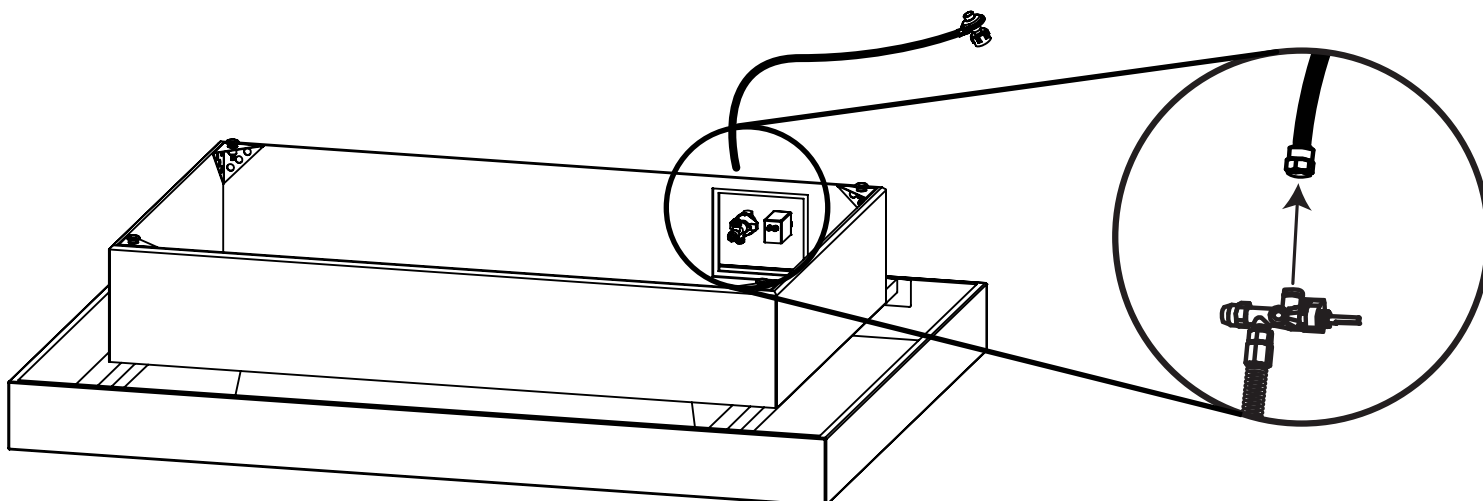
After converting this fire table, this plaque must be hung from the center of the control panel with the provided cable.  
 Después de convertir este mesa tipo brasero, esta placa se debe colgar desde el centro del panel de control con el cable que se suministra.

# INSTRUCCIONES DE CONVERSIÓN

1. Desconecte la manguera negra de gas de propano líquido (LP) del tanque de gas LP. Invierta la chimenea, colocándola sobre una superficie suave para evitar dañar el acabado.



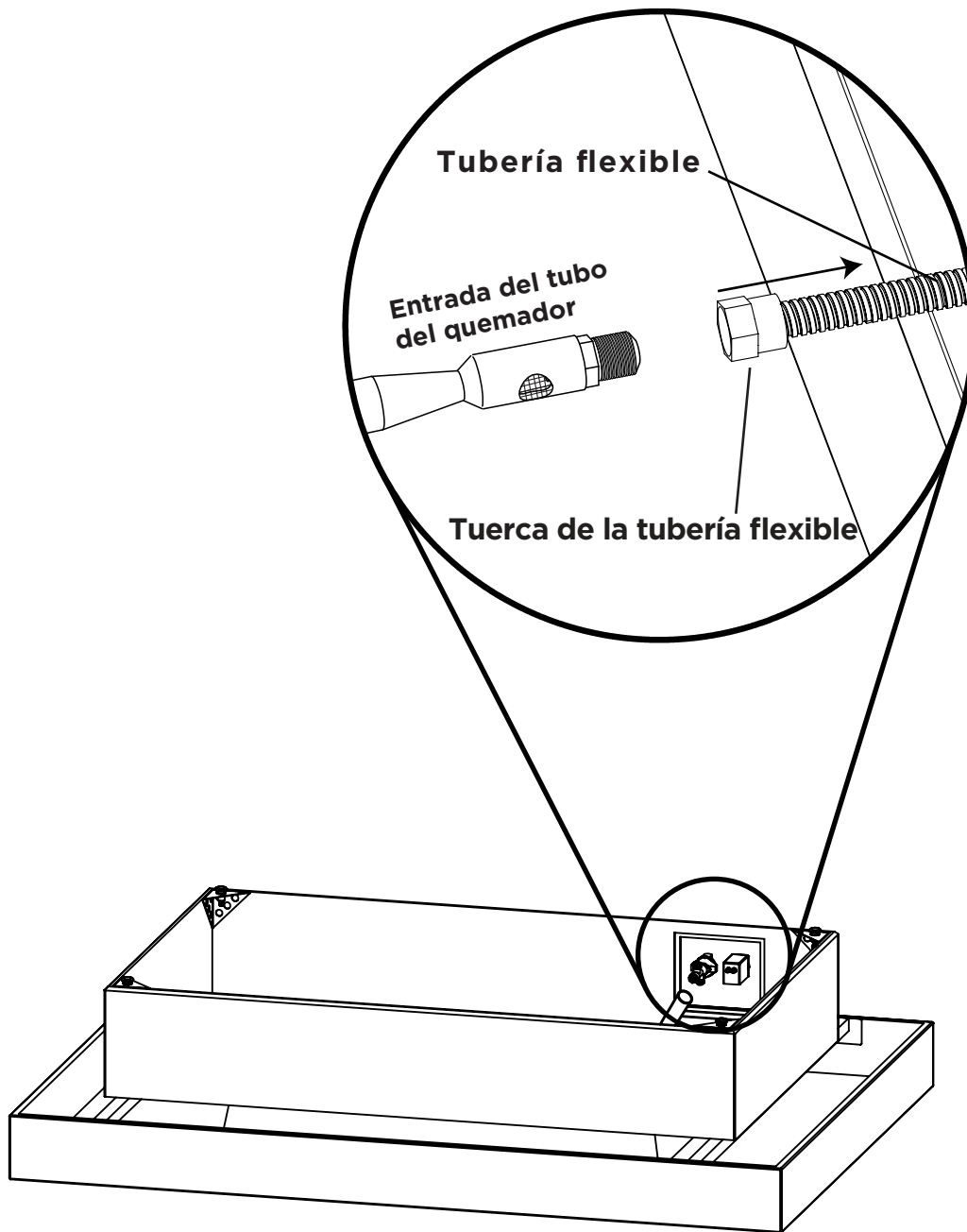
2. Desconecte la manguera negra de gas LP de la válvula de entrada del cuerpo de la chimenea.





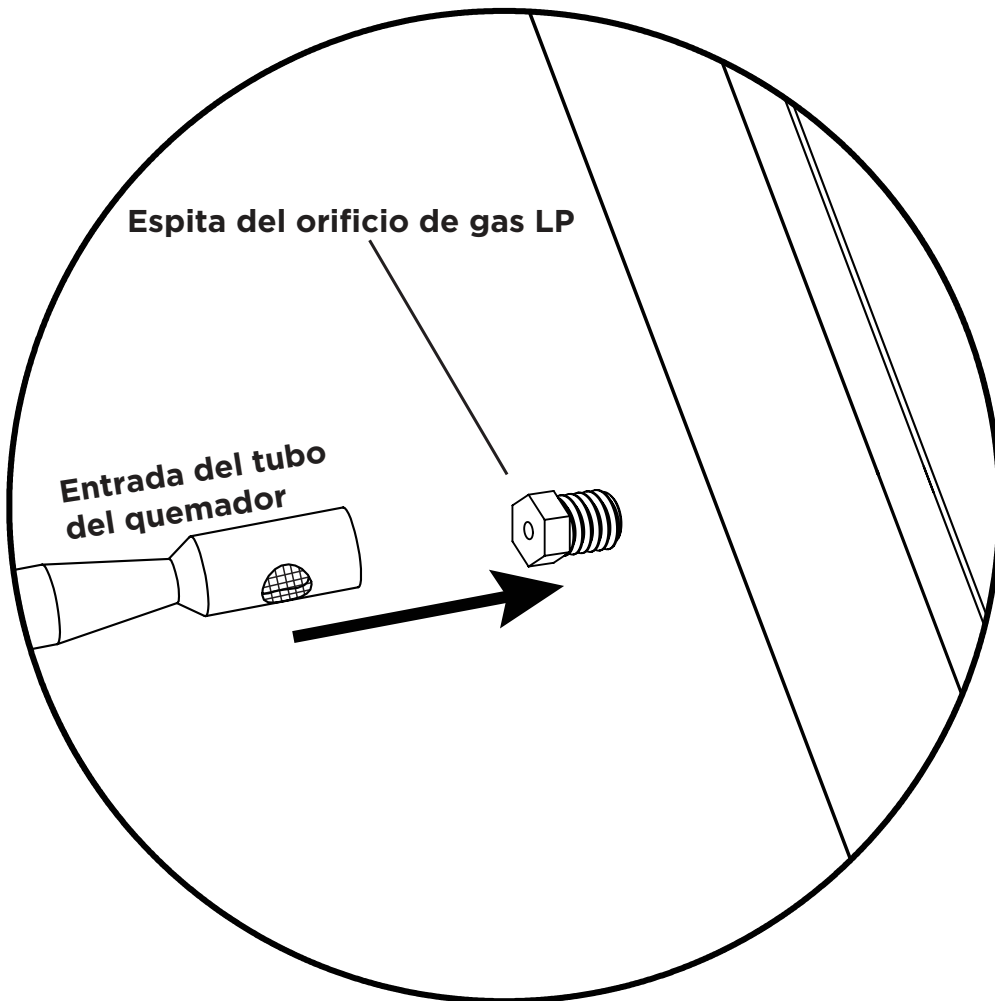
# INSTRUCCIONES DE CONVERSIÓN

3. Desconecte la tubería flexible de la entrada del tubo del quemador desenroscando la tuerca en el extremo de la tubería flexible.

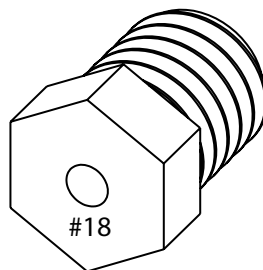


# INSTRUCCIONES DE CONVERSIÓN

4. Retire la espita del orificio de gas LP de la entrada del tubo del quemador.

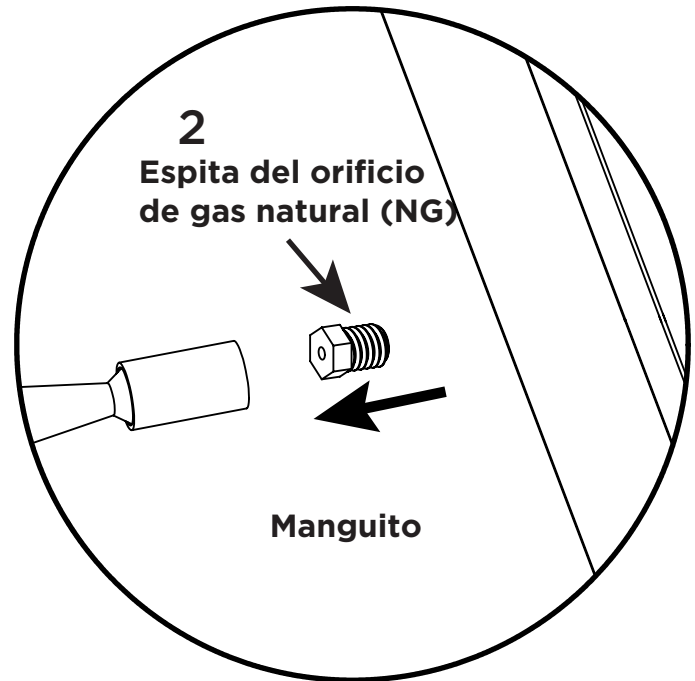
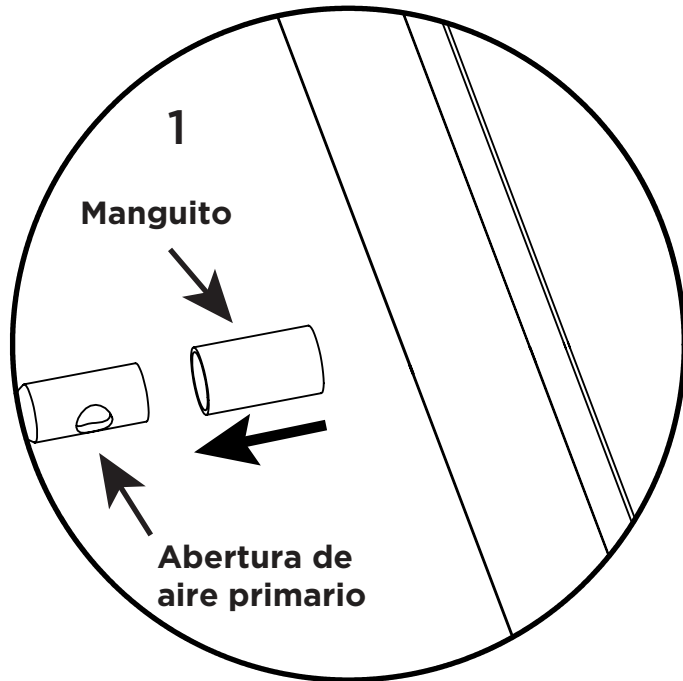


5. Ubique la nueva espita del orificio de gas natural (NG). Verifique que es el número correcto. El indicador de #18 debe estar en el extremo de la espita del orificio.

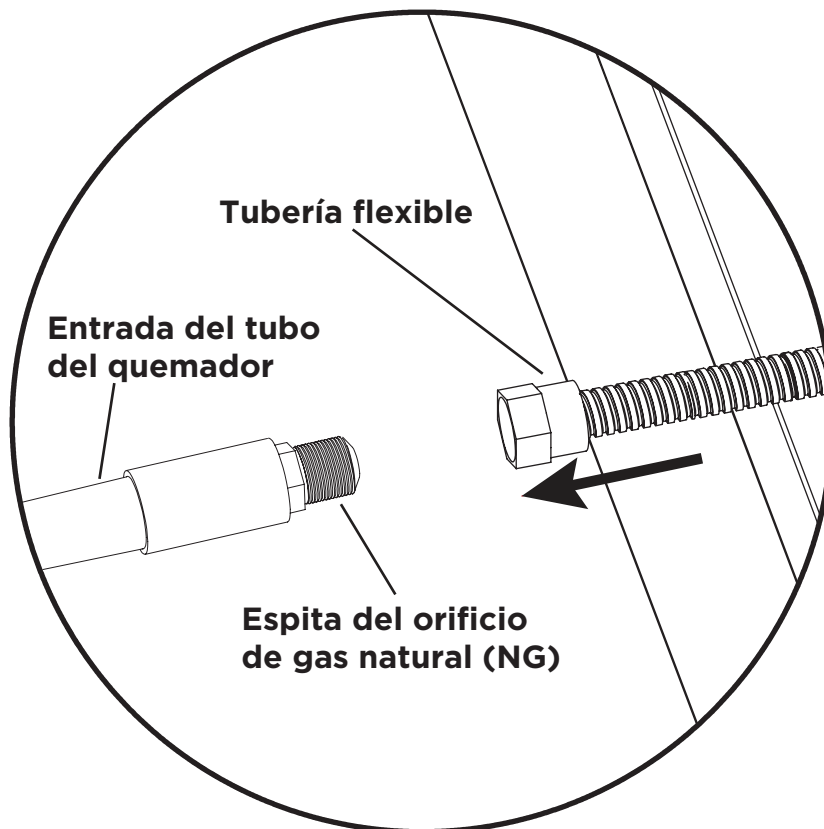


# INSTRUCCIONES DE CONVERSIÓN

6. Deslice el manguito sobre la abertura de aire primario (consulte la Fig. 1). Seguidamente, atornille la nueva espita del orificio de gas natural (NG) en la entrada del tubo del quemador (consulte la Fig. 2).

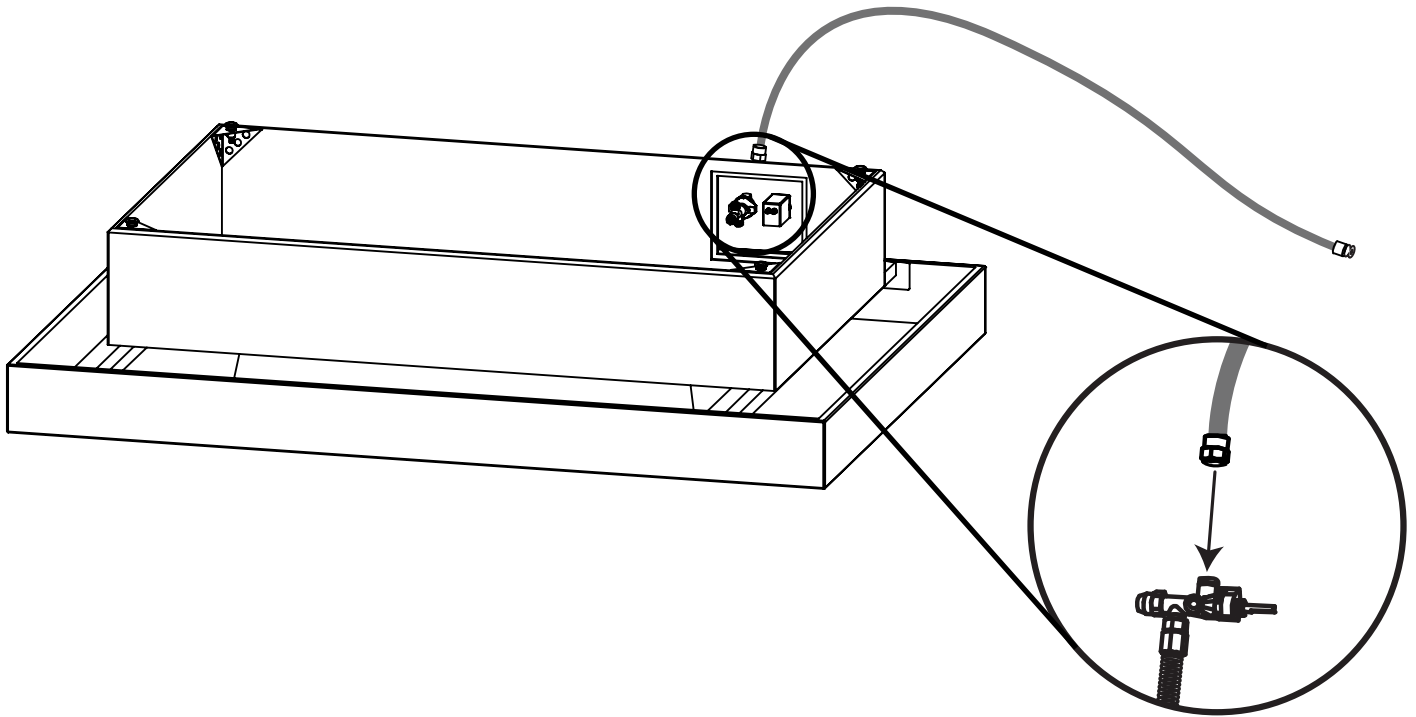


7. Reinserte la línea flexible a la entrada del tubo del quemador.

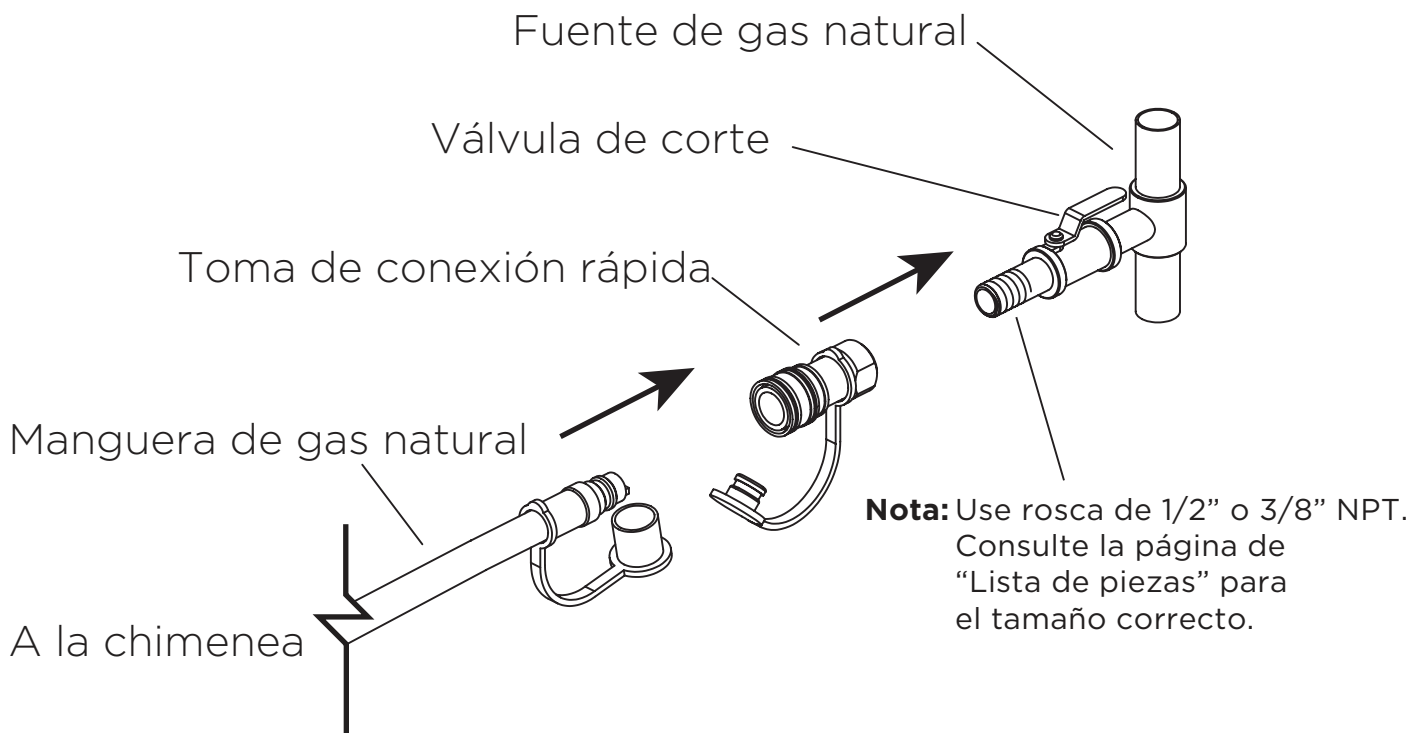


# INSTRUCCIONES DE CONVERSIÓN

8. Inserte la manguera gris de gas NG al lado de entrada de la válvula en la estructura de la chimenea.



9. Inserte la toma de conexión rápida a la fuente de gas NG.

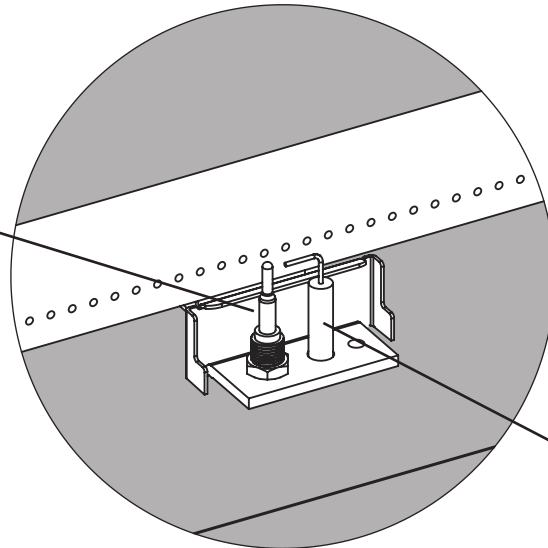


# INSTRUCCIONES DE CONVERSIÓN

10. Después de instalar el kit de conversión, verifique que los componentes estén todavía correctamente ubicados (consulte el diagrama que sigue).

## Termopar

Cerchiórese de que la llama esté en contacto con el termopar.



## Pasador del encendedor

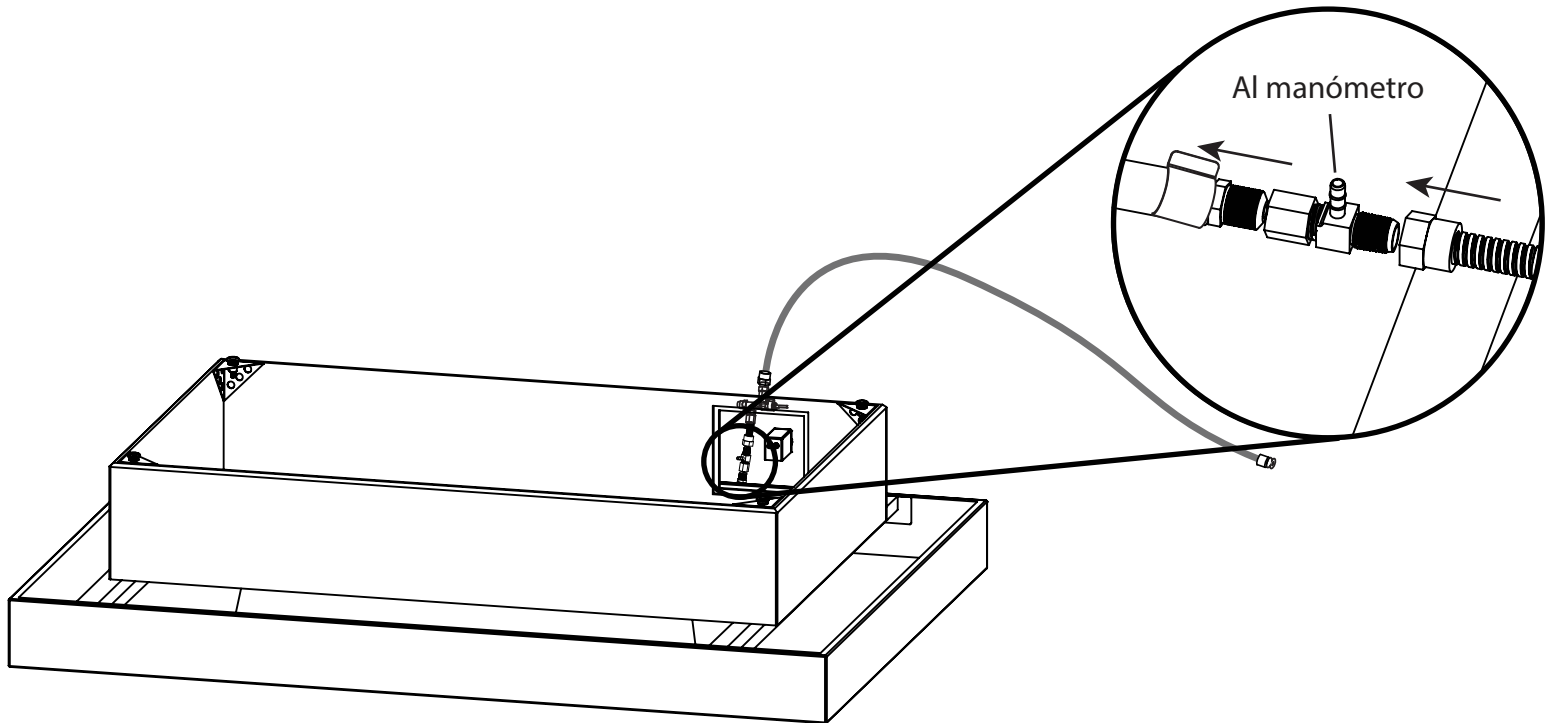
Usted debe ver el pasador del encendedor destellar cuando presione el botón del encendedor.

NOTA: La carcasa del encendedor se ha retirado como un ejemplo solamente.

# INSTRUCCIONES PREVIAS AL USO

## Notas para el técnico de la instalación

Verifique la presión del colector utilizando un empalme en T acampanado de 3/8" en la ubicación marcada en el diagrama que se encuentra a continuación. Seguidamente, utilizando un manómetro digital, verifique que la presión del orificio sea 7" en columna de agua (W.C.) (1.74 kPa). También verifique que el orificio de la espita tenga el sello de 4.29mm. Esto le permitirá verificar que el índice de entrada de la chimenea es correcto.



### Instalación en altitud

Las instalaciones en elevaciones superiores a 2,000 pies (610 m) pueden requerir un ajuste. Para más información, comuníquese con el Servicio al cliente de Real Flame al 1-800-654-1704.

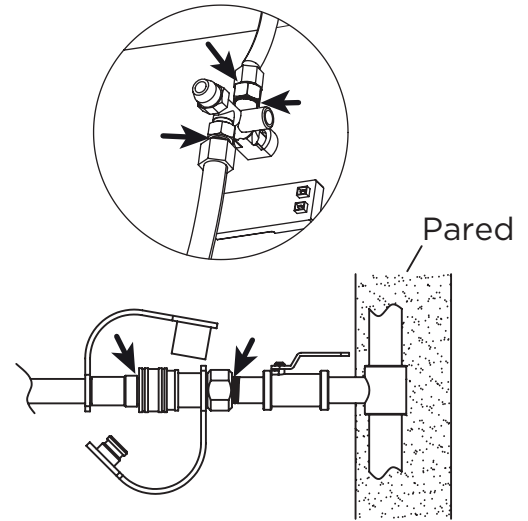
NOTA: La presión normal del colector para este artefacto convertido es 7" W.C. (1.74 kPa).

NOTA: La presión máxima de entrada de gas para esta unidad es 10.5" W.C. (2.61 kPa).  
La presión mínima de entrada de gas para esta unidad es 3.5" W.C. (0.87 kPa).

# INSTRUCCIONES PREVIAS AL USO

## Revisión de fugas

1. Haga una solución para fugas mezclando 1 parte de jabón de lavaplatos con 3 partes de agua en un frasco atomizador.
2. Cerciórese de que la perilla de control de la chimenea esté en la posición "OFF" (apagado), y seguidamente conecte su chimenea a la tubería de suministro de gas y abra el paso de gas.
3. Rocíe la solución para fugas en las conexiones de la válvula, prestando atención particular a las áreas indicadas por flechas en los diagramas.
4. Si aparecen burbujas, corte el suministro de gas, desconecte la manguera e inspeccione todas las conexiones cerciorándose de que las roscas no tengan residuos. Vuelva a conectar la manguera, abra el suministro de gas y vuelva a probar. Si continúa observando burbujas, corte el suministro de gas, desconecte la manguera y llame al Servicio al cliente de Real Flame al 1-800-654-1704 para obtener asistencia.
5. Si no aparecen burbujas después de 1 minuto, limpie el exceso de solución para fugas y proceda a las "Instrucciones de encendido".



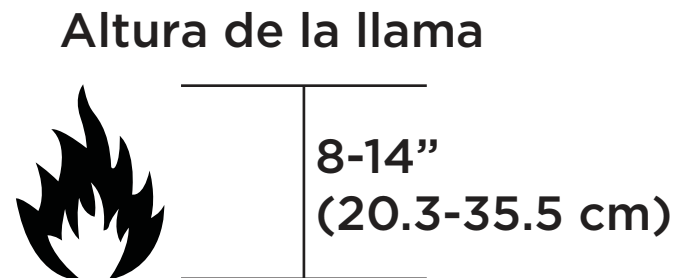
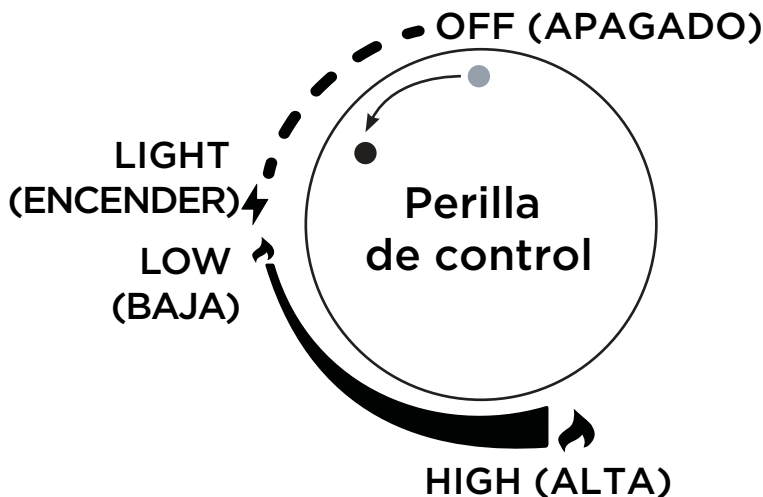
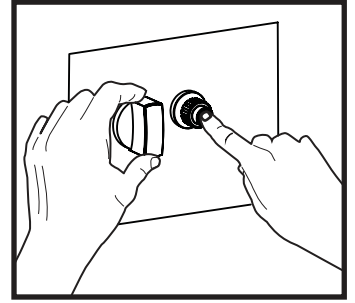
## Placa de conversión

Usando cortadores de cable retire la placa de conversión francesa de gas natural que cuelga del panel de control. Use el kit de cable incluido para cablear a la vez tanto las placas de conversión de gas natural francesas como las inglesas y luego reinsértelas en el panel de control.

# INSTRUCCIONES DE ENCENDIDO

## Uso del encendedor

1. Lea y comprenda todas las instrucciones de funcionamiento antes de encender.
2. Antes de comenzar, cerciúrese de que la perilla de control esté en la posición "OFF" (apagado).
3. Conecte la toma de acoplamiento rápido al suministro de gas (consulte las páginas anteriores).
4. Abra el suministro de gas lentamente.
5. Prepárese para encender su chimenea colocando una mano en la perilla de control y la otra mano en el botón del encendedor (consulte el diagrama). NO se incline sobre ninguna parte del quemador. Verifique que el área alrededor del quemador esté libre de riesgos.
6. Presione y sostenga el botón de encendido. Debe escuchar un sonido de chasquido.
7. Mientras mantiene presionado el botón de encendido, use su otra mano para presionar y girar la perilla de control en el sentido antihorario a la posición "LIGHT" (encender).
8. Una vez que el quemador enciende, suelte el botón de encendido pero continúe manteniendo la perilla de control presionada durante 15 segundos.  
**ADVERTENCIA:** Si no ocurre el encendido en 15 segundos, gire la perilla de control a la posición "OFF" (apagado) y corte el suministro de gas desde su fuente de origen. Cerciúrese de que no haya ninguna fuente de encendido alrededor de la chimenea y espere al menos 5 minutos hasta que el gas se haya disipado para repetir el procedimiento de encendido. No hacerlo podría resultar en acumulación de gas causando daños a la propiedad, lesiones graves o la muerte.
9. Después de encender satisfactoriamente la chimenea, libere la perilla de control y gírela a la configuración "LOW" (baja). Observe la llama y cerciúrese de que todos los puertos del quemador estén encendidos.
10. Ajuste la llama a la altura deseada utilizando la perilla de control.



## Instrucciones de corte

1. Gire la perilla de control a la posición "OFF" (apagado).
2. Apague el suministro de gas desde su fuente de origen.

Para soporte técnico adicional  
llame al Servicio al cliente de Real Flame al 1-800-654-1704.



# GARANTÍA

## Garantía Limitada

Real Flame® garantiza que los siguientes componentes de esta chimenea Real Flame® ("el Producto") estará libre de defectos de fabricación y materiales después el ensamble correcto y bajo el uso normal y el mantenimiento adecuado de los períodos indicados más abajo, comenzando con la fecha de compra del Producto:

- El cuerpo - 5 años de garantía limitada.
- Los componentes internos - 2 años de garantía limitada.
- El sistema de quemadores - 2 años de garantía limitada.

Esta garantía se extiende al comprador original únicamente, siempre que la compra haya sido realizada a través de un distribuidor autorizado Real Flame. La garantía está también sujeta a las siguientes condiciones y limitaciones:

Esta garantía no se extiende a los daños ocasionados por transporte, ensamblaje inadecuado, instalación o almacenaje, instalación que no cumpla con los códigos y las ordenanzas de construcción, instalación u operación que no esté de acuerdo con el manual incluido, abuso, falta de mantenimiento, ambientes hostiles, accidentes, clima natural o reparaciones de baja calidad. La modificación del Producto, el uso de combustibles distintos a los aprobados por Real Flame, o el uso de piezas instaladas de otros fabricantes, anularán esta garantía.

Esta garantía se aplica a la funcionalidad del Producto únicamente y no cubre elementos cosméticos tales como raspones, hendiduras, corrosión, oxidación, corrosión, áreas decoloradas o agrietadas debido a la exposición prolongada al calor extremo decoloración causada por el calor, limpiadores abrasivos y limpiadores químicos. Sin embargo, si el deterioro de las piezas ocurre a un grado que impida el funcionamiento dentro del período de la garantía, Real Flame proporcionará una pieza de reemplazo.

Real Flame exige una prueba razonable de su fecha de compra. Por lo tanto, usted debe conservar su recibo de venta y/o la factura. Las partes defectuosas sujetas a esta garantía no serán reemplazadas sin la prueba de compra.

Real Flame debe tener la oportunidad de verificar el defecto que alega. Para que cualesquiera de los componentes internos estén amparados bajo esta garantía, Real Flame exige que el usuario haga una localización de la avería con un miembro de servicio al cliente de Real Flame para garantizar el funcionamiento adecuado y el diagnóstico del problema.

En el caso de defectos amparados de los elementos garantizados, Real Flame, a su discreción, reemplazará el componente defectuoso, reemplazará el Producto o reembolsará el precio de compra. Real Flame no es responsable por la instalación, mano de obra u otros costos relacionados con la reinstalación. Lo anterior es el recurso exclusivo según los términos de esta garantía limitada. Real Flame no será responsable de los daños accidentales o resultantes causados por defectos en el Producto. Algunos estados no permiten la inclusión o limitación de daños accidentales o resultantes, así que es posible que la limitación o la exclusión puede que no apliquen para usted.

Esta garantía limitada es la única garantía expresa otorgada por Real Flame. La duración de cualquier garantía implícita que surja según las leyes de cualquier estado, incluyendo la garantía de mercantilidad o adecuación para un fin o uso en particular, está limitada a la duración de la garantía especificada anteriormente. Algunos estados no permiten limitaciones en cuanto a la duración de la garantía implícita, de modo que esta limitación puede no ser aplicable en su caso.

Esta garantía le otorga derechos legales específicos y usted puede tener también otros derechos que varían de un estado a otro.

Para el servicio de garantía:

1. Llame al Servicio al cliente de Real Flame al 1-800-654-1704 para apoyo técnico y para solución de problemas.
2. Si tiene problemas con el acabado, por favor rellene el formulario "Reclamo de la Garantía en Exterior" en [www.realflame.com](http://www.realflame.com).

# POLÍTICA DE DEVOLUCIÓN

## Política de devolución

Usted puede devolver su compra en el plazo de 90 días de haberla recibido. No se emitirán reembolsos por devoluciones incompletas o no autorizadas. Todos los productos devueltos deben estar 100% completos, adecuadamente empacados en su empaque original y en condiciones de reventa. Los productos que han sido ensamblados o modificados no reúnen los requisitos para la devolución. Todos los artículos deben ser devueltos en su totalidad, lo cual significa que todos los artículos incluidos deben ser devueltos juntos. No se aceptan devoluciones o cambios de artículos discontinuados. Comience el proceso de devolución comunicándose con la tienda o la compañía donde adquirió su artículo Real Flame®.

## Piezas de repuesto

En caso de que un artículo se haya perdido o dañado por parte del fabricante o en el envío, usted puede solicitar un reemplazo. Las piezas de reemplazo no están disponibles para todas las unidades y solo se suministran a la discreción de Real Flame. Nosotros evaluaremos cualquier daño y encontraremos una solución, lo cual puede incluir enviarle un reemplazo. No hay reemplazos disponibles para artículos discontinuados o productos reempacados (caja que ha sido abierta). Llame a Servicio al cliente de Real Flame al 1-800-654-1704 para las piezas de repuesto antes de devolver el artículo dañado. Tenga lista la siguiente información consigo (la cual puede encontrar en su manual de instrucciones) antes de llamar al Servicio al cliente:

- Número de modelo del artículo
- Número de pieza de 4-8 dígitos
- Número de código del lote
- Dirección de envío
- Se puede solicitar una foto del artículo dañado. Las fotos se pueden enviar a [custserv@realflame.com](mailto:custserv@realflame.com).

## Orden incorrecta recibida

Si usted recibió algo distinto de lo que ordenó, comuníquese con el Servicio al cliente de Real Flame al 1-800-654-1704 en el plazo de 48 horas de haber recibido el artículo.

Consulte [www.realflame.com](http://www.realflame.com) para las pautas y políticas completas de devolución.

Registre su chimenea para las notificaciones de retiro del mercado, prueba de titularidad y aseguramiento de la calidad en <https://www.realflame.com/registration>.

Real Flame®  
7800 Northwestern Ave.  
Racine, WI 53406  
USA

Servicio al cliente: 1-800-654-1704 en EE. UU.  
Service à la clientèle: 1-800-363-6443 in Canada  
[csrep@realflame.com](mailto:csrep@realflame.com)