

| Tools required:

| Do not throw away packaging materials until assembly is complete.

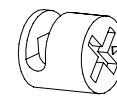
| Assemble this item on a soft surface, such as cardboard or carpet, to protect finish.

A



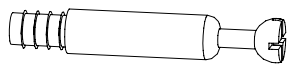
8x30 mm wooden dowels 40x

B



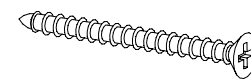
small cam locks 12x

C



cam screws 20x

D



3.5x40 mm long screws 24x

E



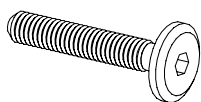
3.5x25 mm medium screws 12x

F



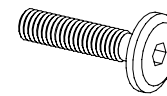
3x12 mm short screws 12x

G



6x40 mm medium connecting screws 10x

H



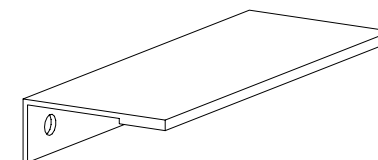
6x30 mm short connecting screws 6x

I



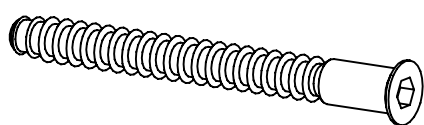
4x9 mm drawer rail screws 12x

J



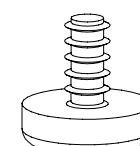
drawer handle 6x

K



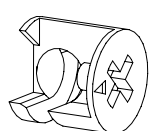
7x70 mm long connecting screws 6x

L



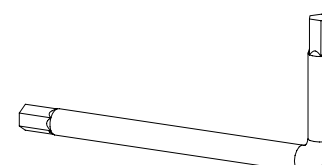
6x25 mm level adjust screws 5x

M



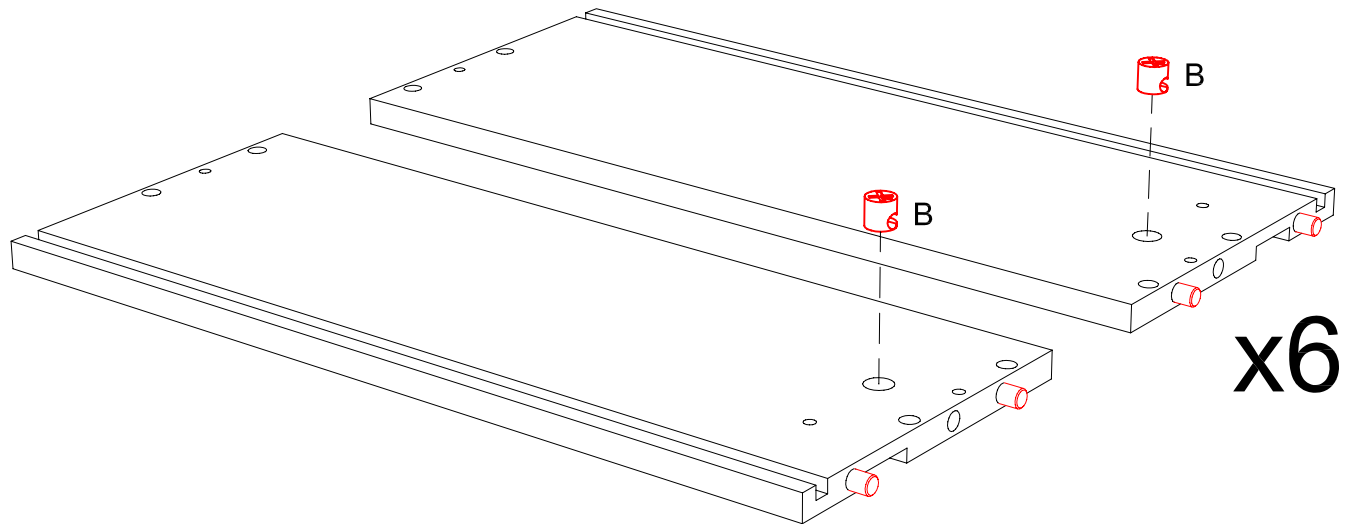
large cam locks 8x

N

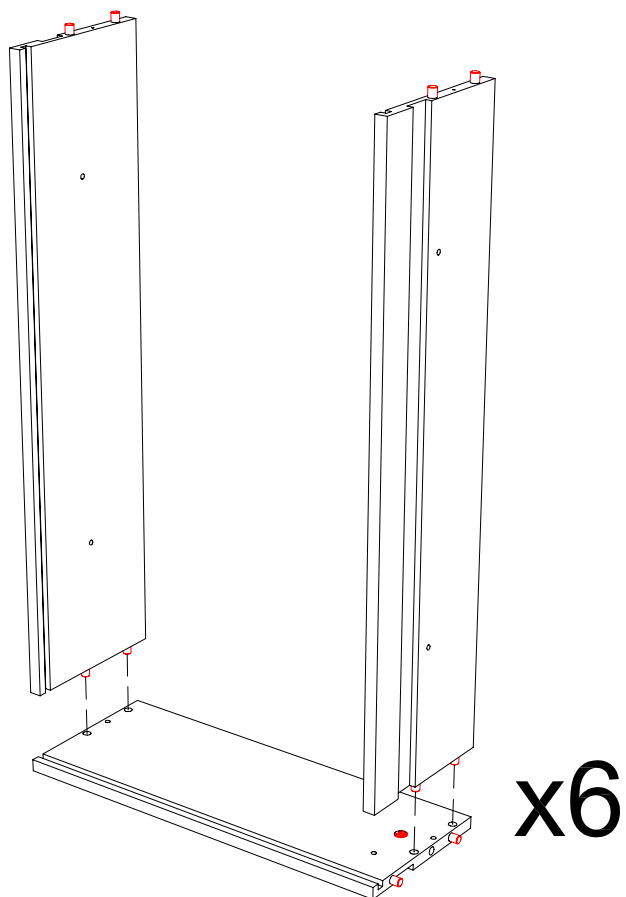


Allen Key 1x

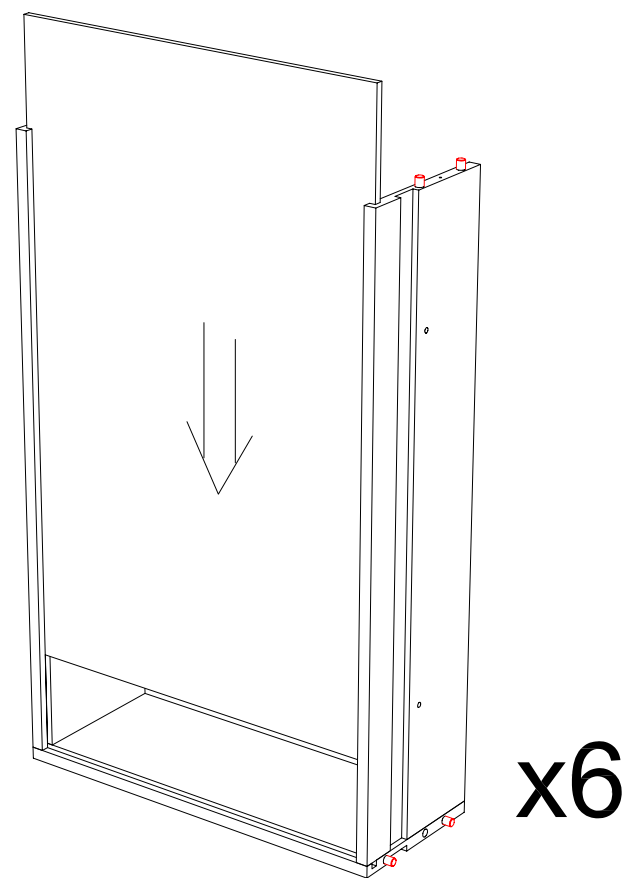
1: Insert 2 small cam locks (B) into drawer side panels.



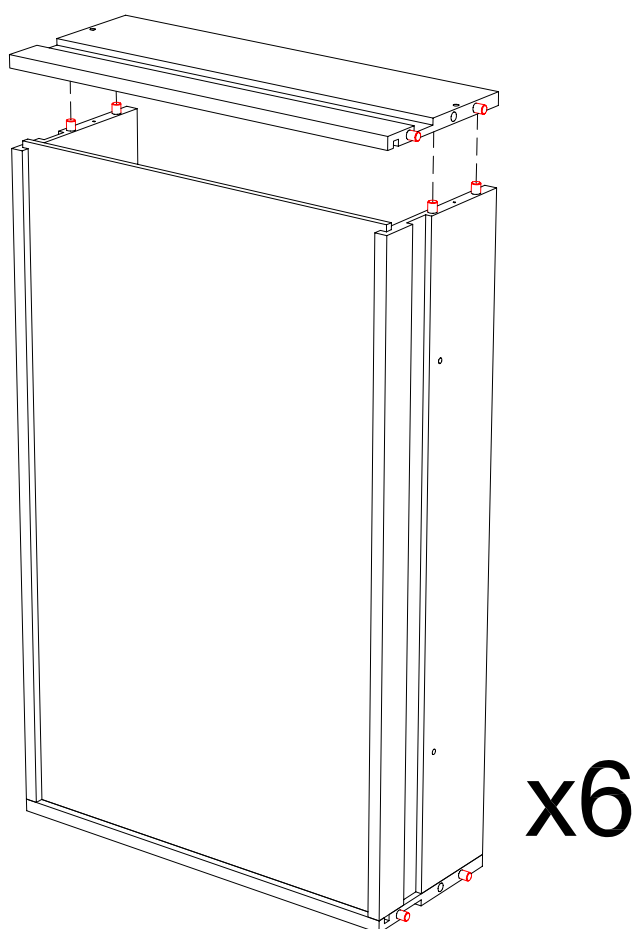
2: Attach drawer front and back panels to right drawer side panel using factory installed dowels.



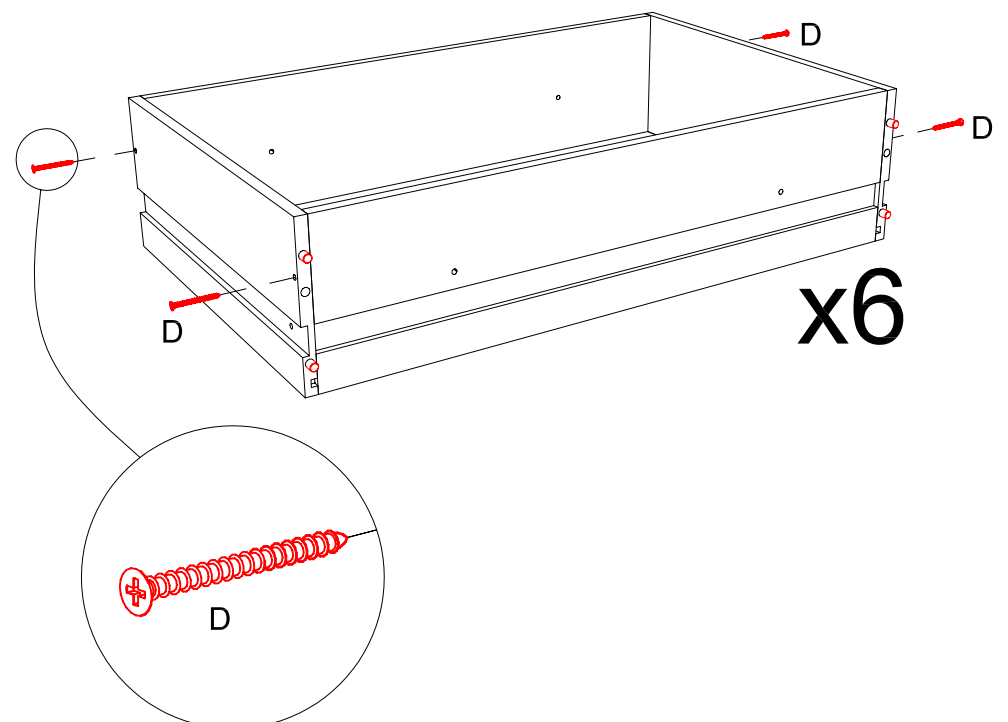
3: Slide drawer bottom into groove inside front and back panels.



4: Attach left drawer side panel to drawer front and back panels using factory installed dowels.

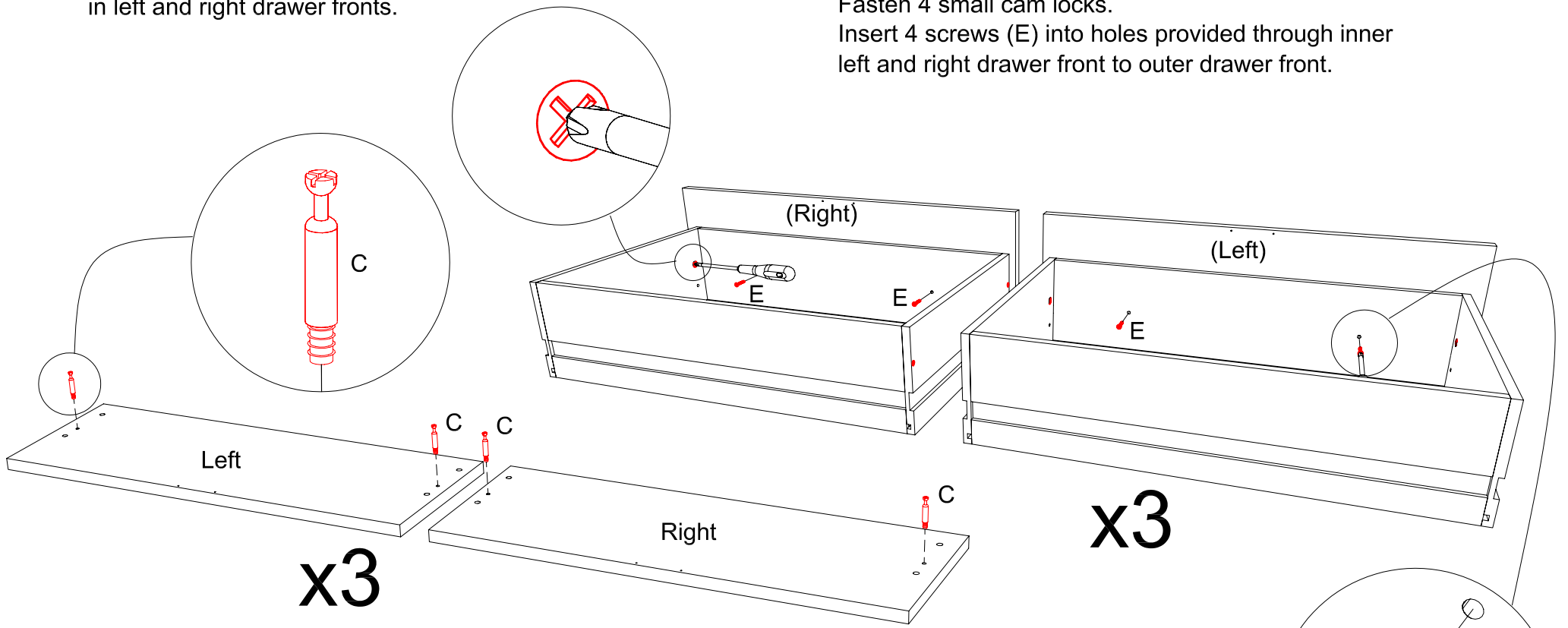


5: Insert 4 large screws (D) into holes provided on drawer sides to complete assembly of drawer box.

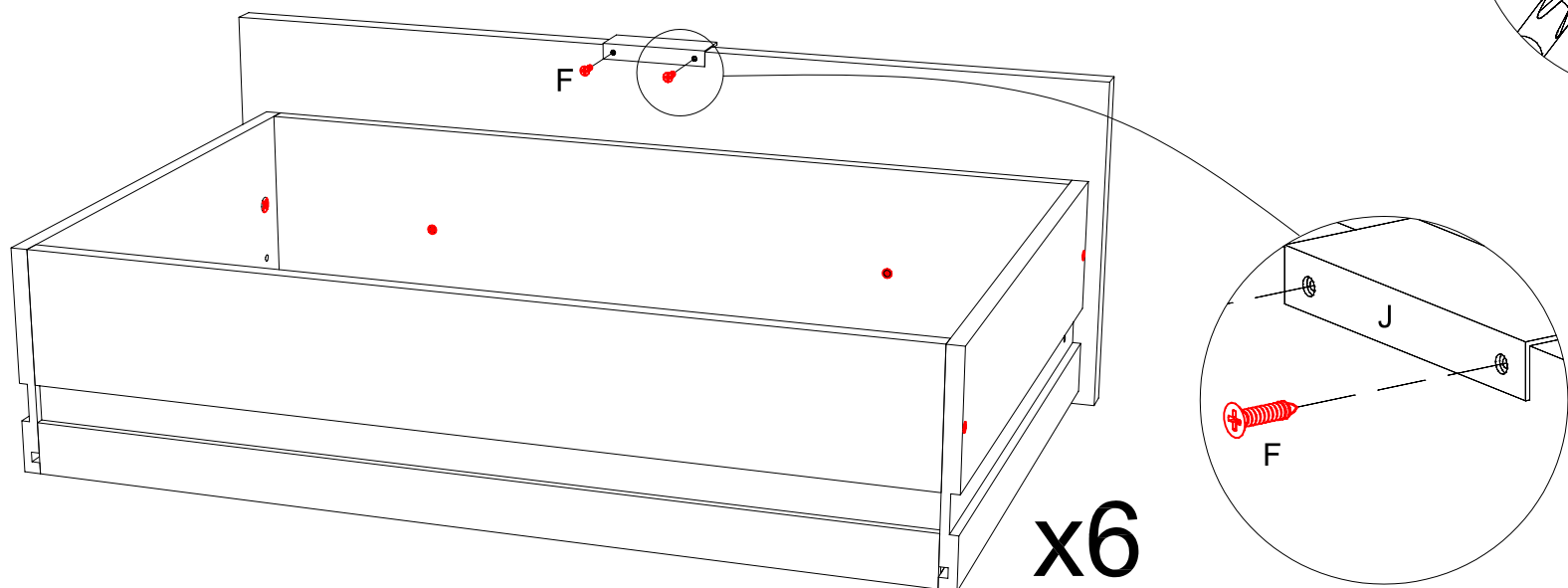


6: Insert 4 cam screws (C) into holes provided in left and right drawer fronts.

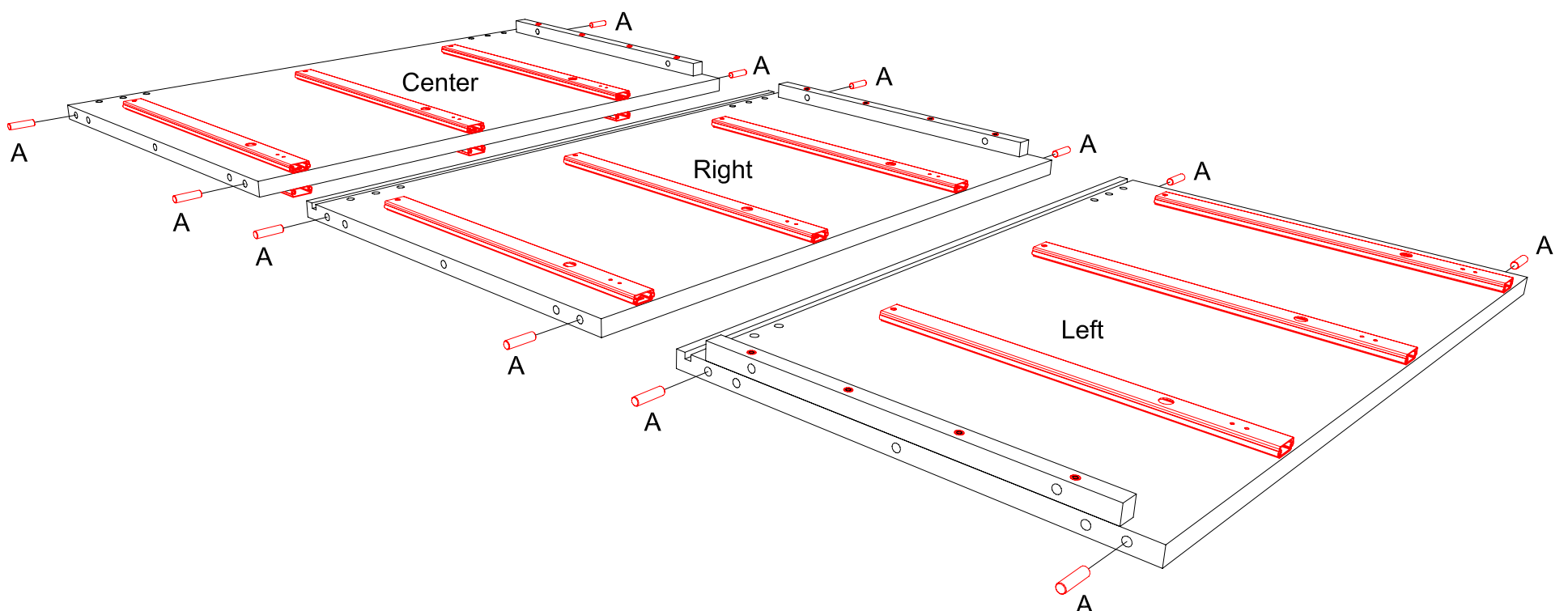
7: Attach front drawer panel to assembled drawer box. Fasten 4 small cam locks. Insert 4 screws (E) into holes provided through inner left and right drawer front to outer drawer front.



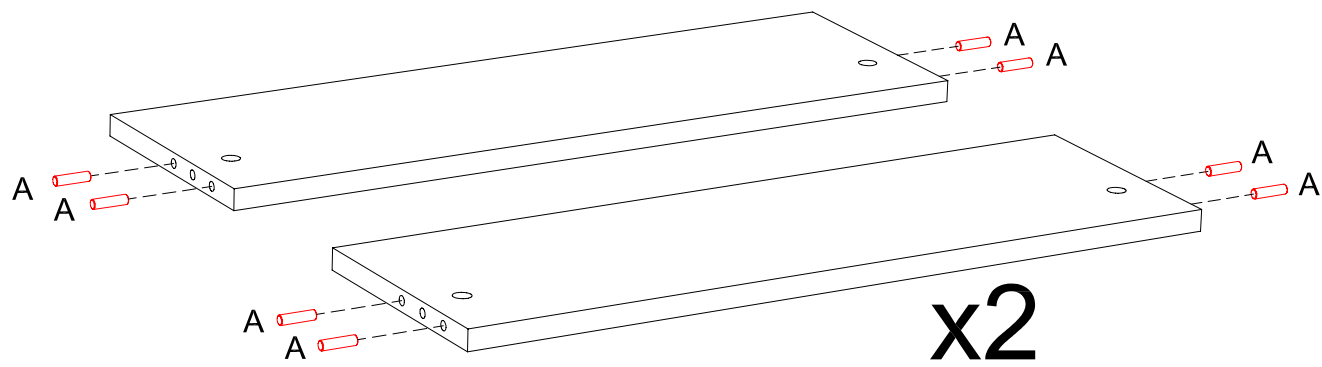
8: Attach 1 drawer handle (J) to upper edge on drawer front panel using 2 short screws (F) inserted through back of drawer front.



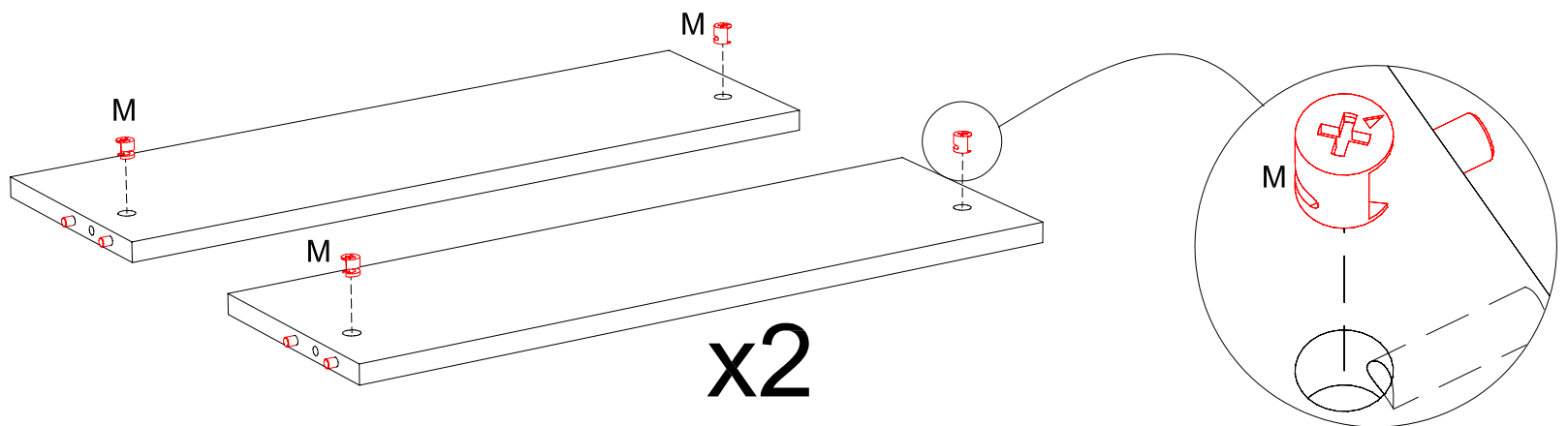
9: Insert 12 wooden dowels (A) into holes provided on side and center panel. Use only the front hole and the back hole for these 12 dowels.



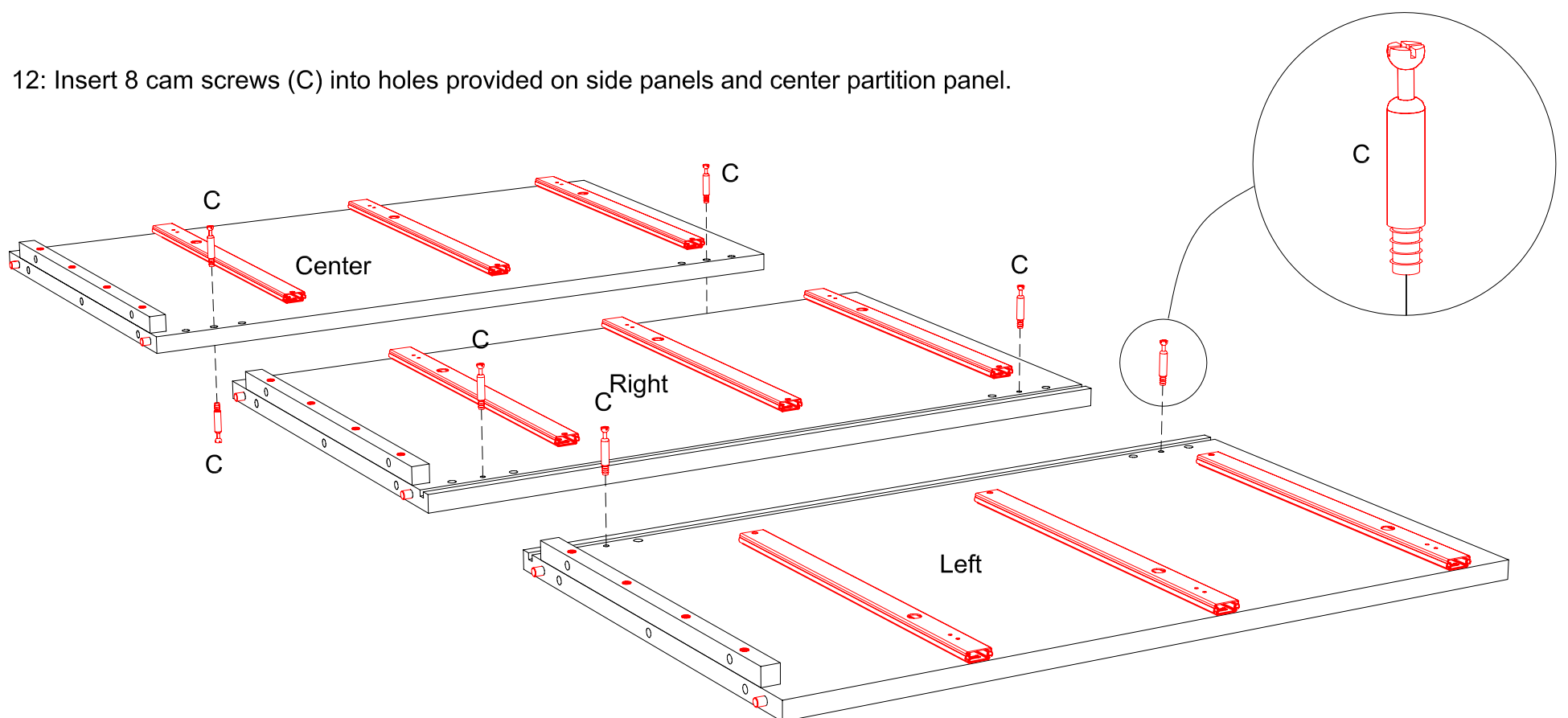
10: Insert 8 wooden dowels (A) into holes provided on back panel slats.



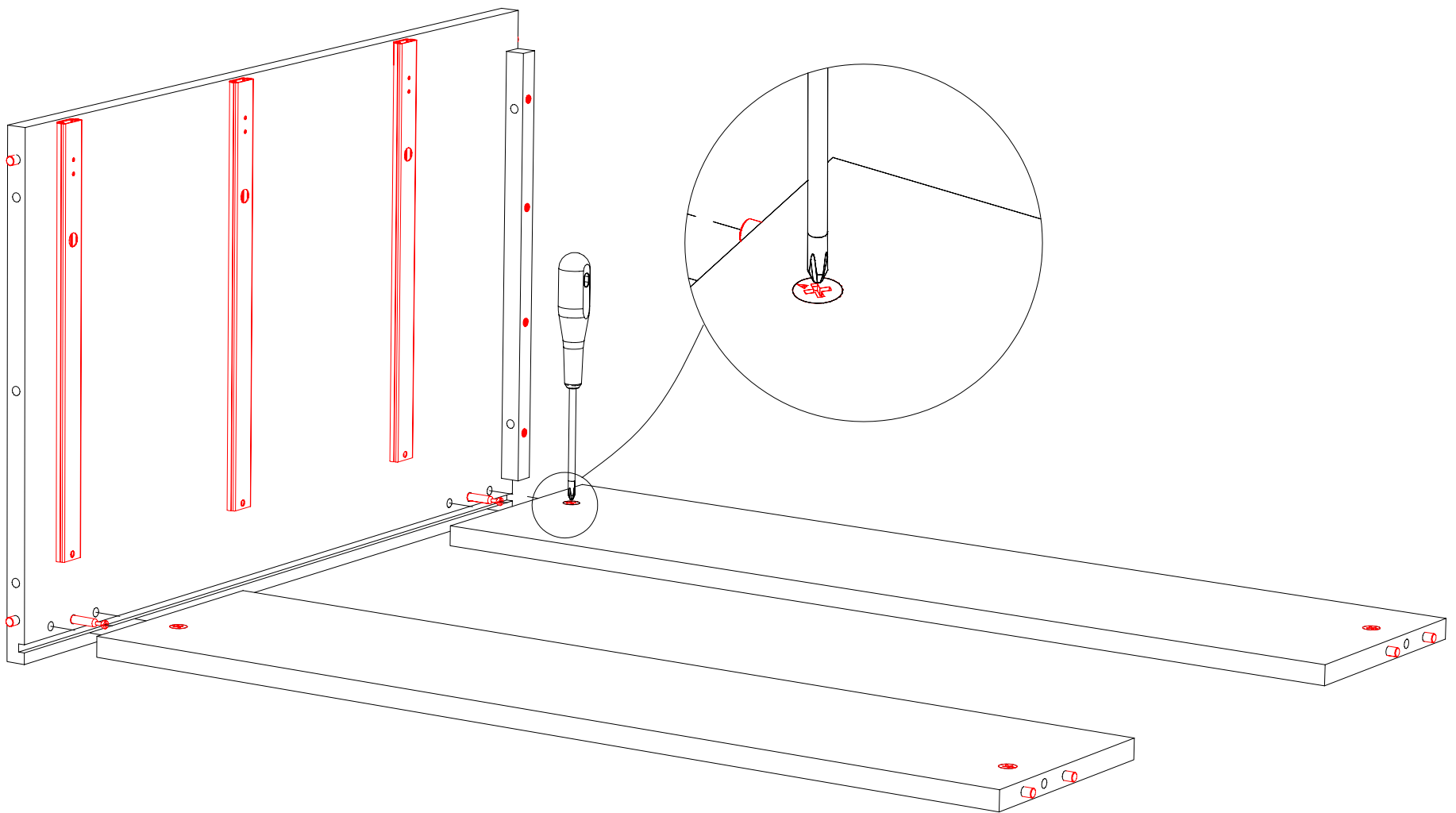
11: Insert 4 large cam locks (M) into holes provided on back panel slats. The arrow on cam locks must face in direction of hole on edge of back panel.



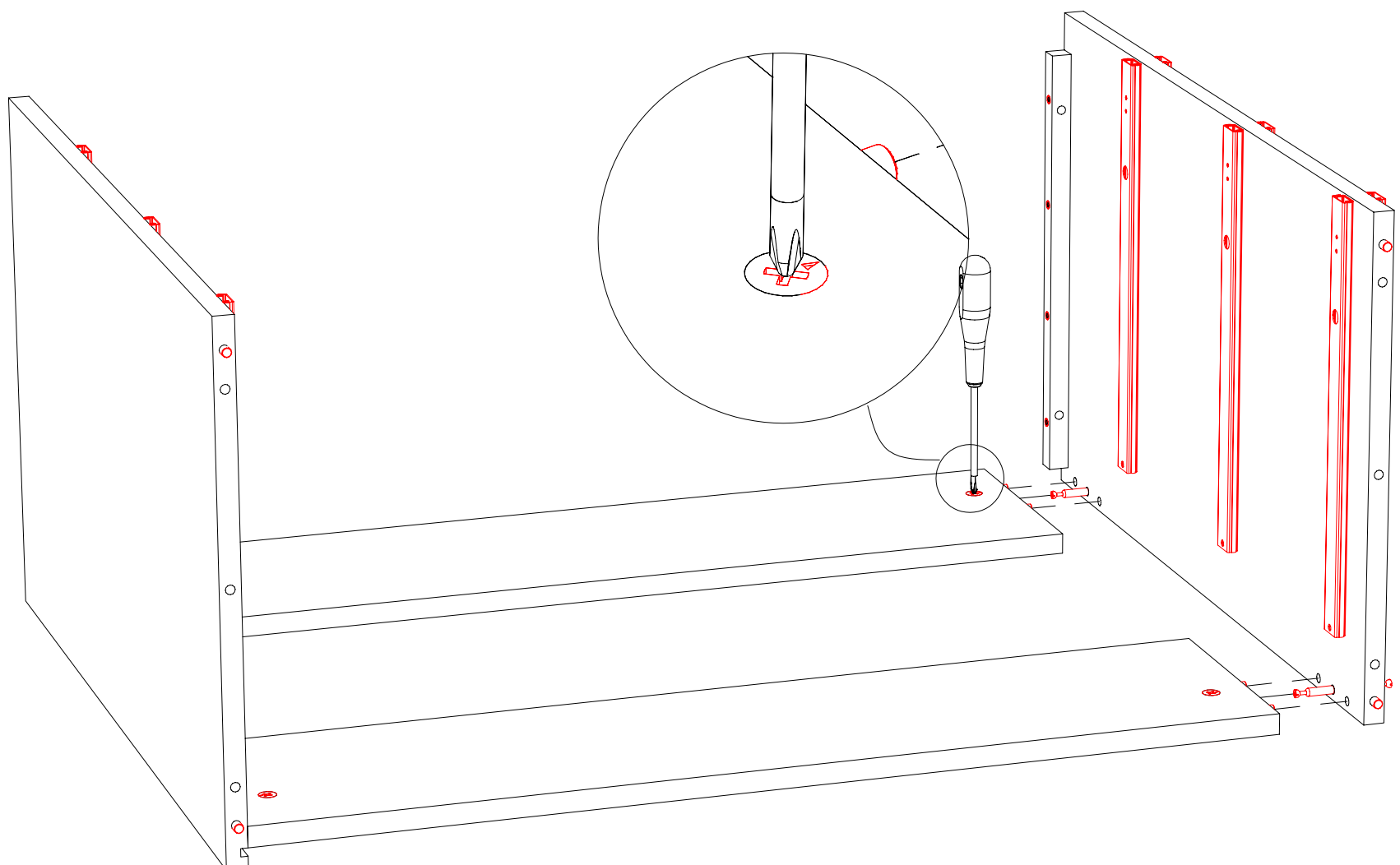
12: Insert 8 cam screws (C) into holes provided on side panels and center partition panel.



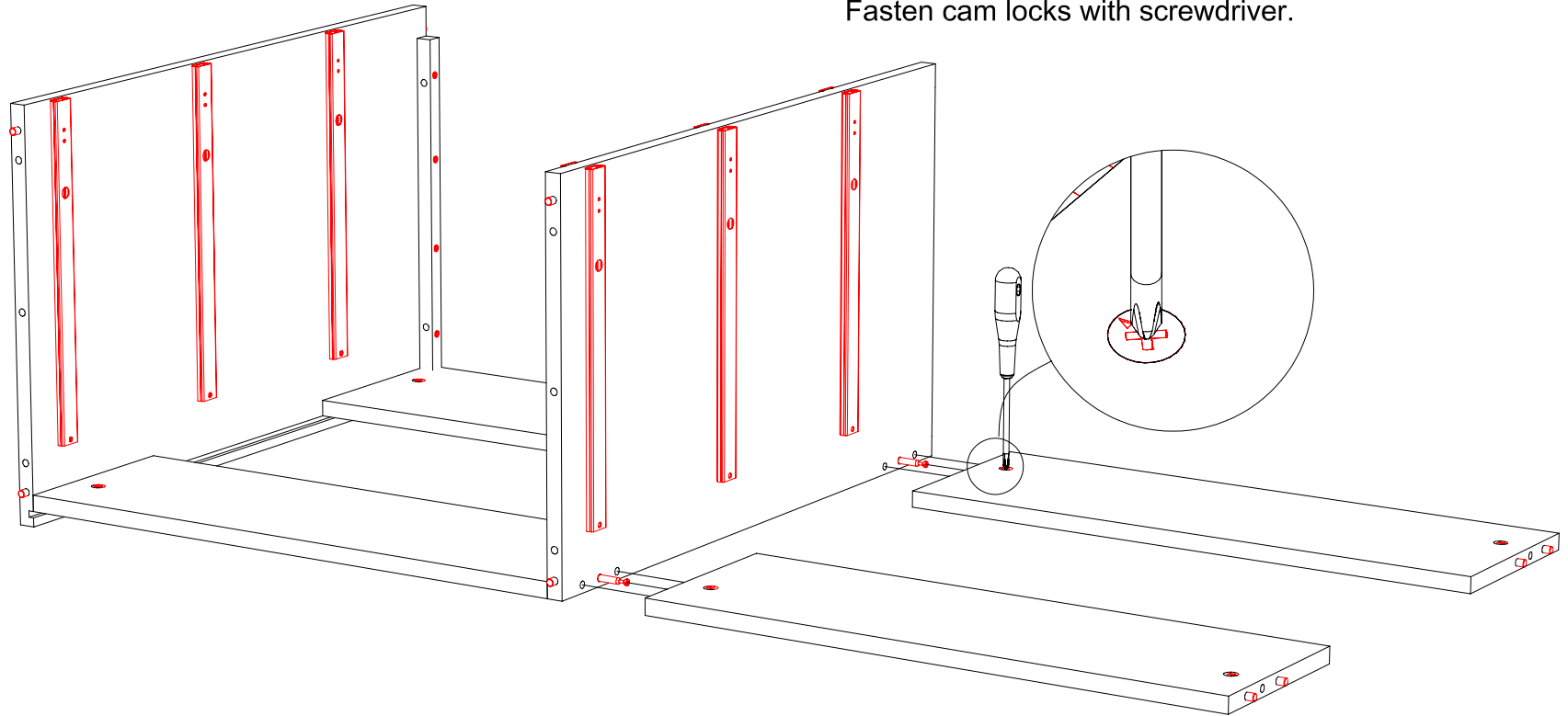
13: Attach back panel slats into holes provided inside left side panel. Fasten cam locks with screwdriver.



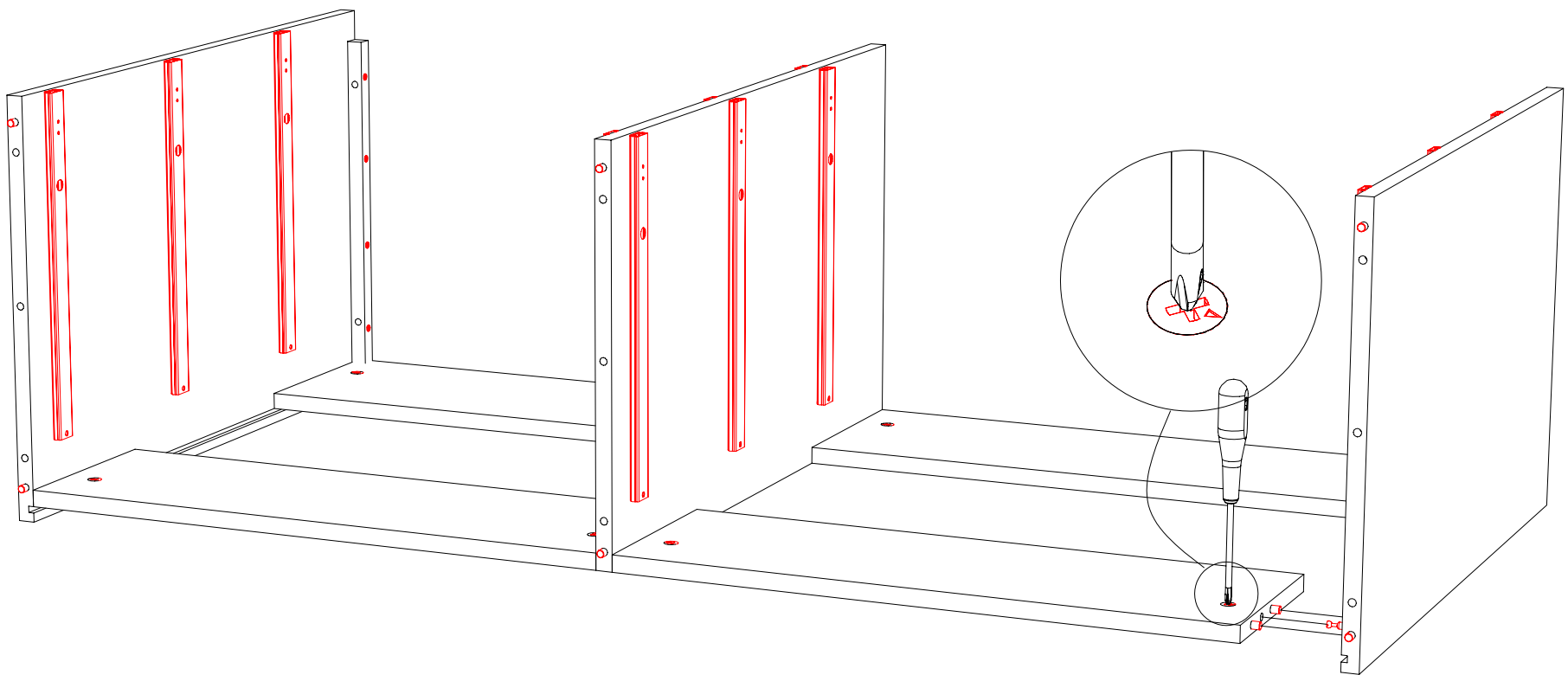
14: Attach back panel slats into holes provided left side of partition panel. Fasten cam locks with screwdriver.



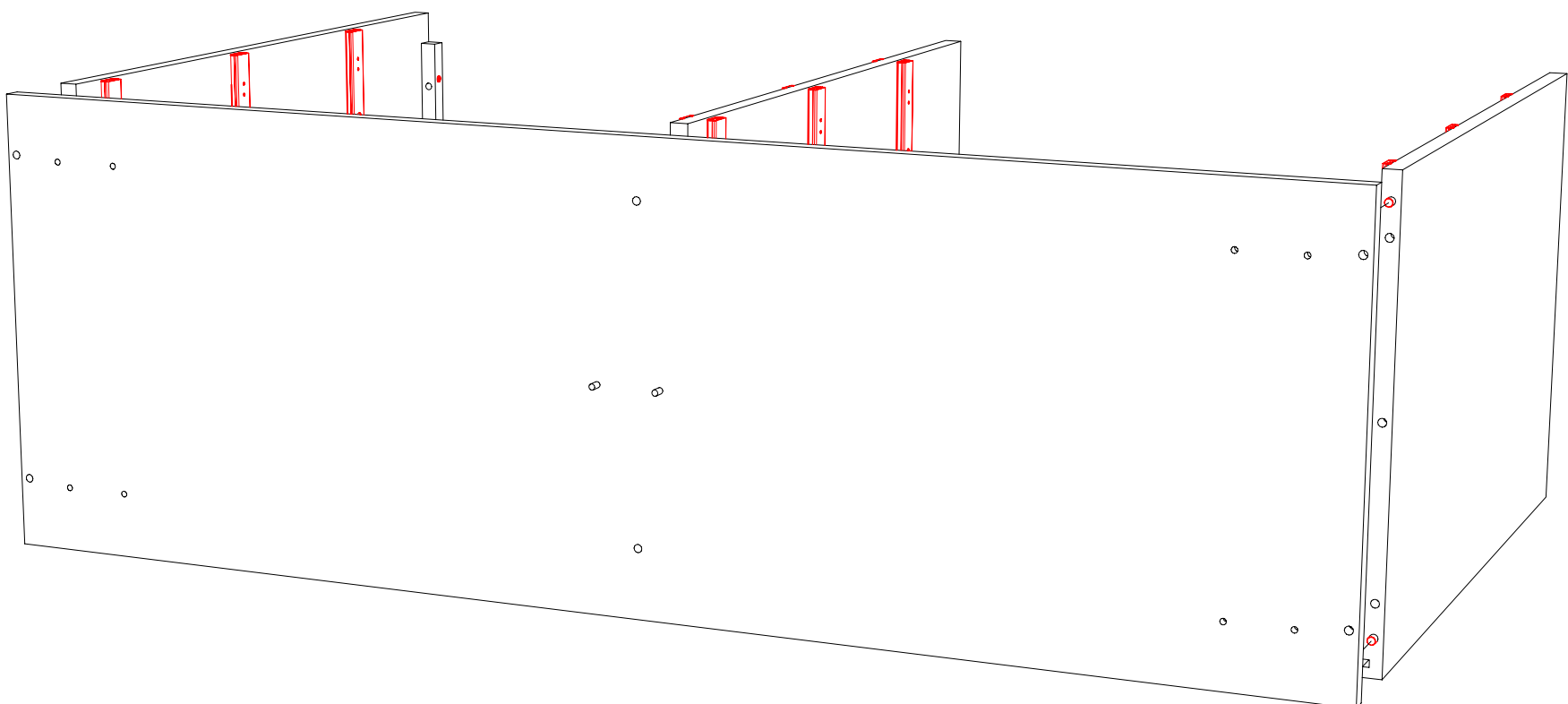
15: Attach 2nd set of back panel slats with dowels into holes provided on right side of center partition panel.  
Fasten cam locks with screwdriver.



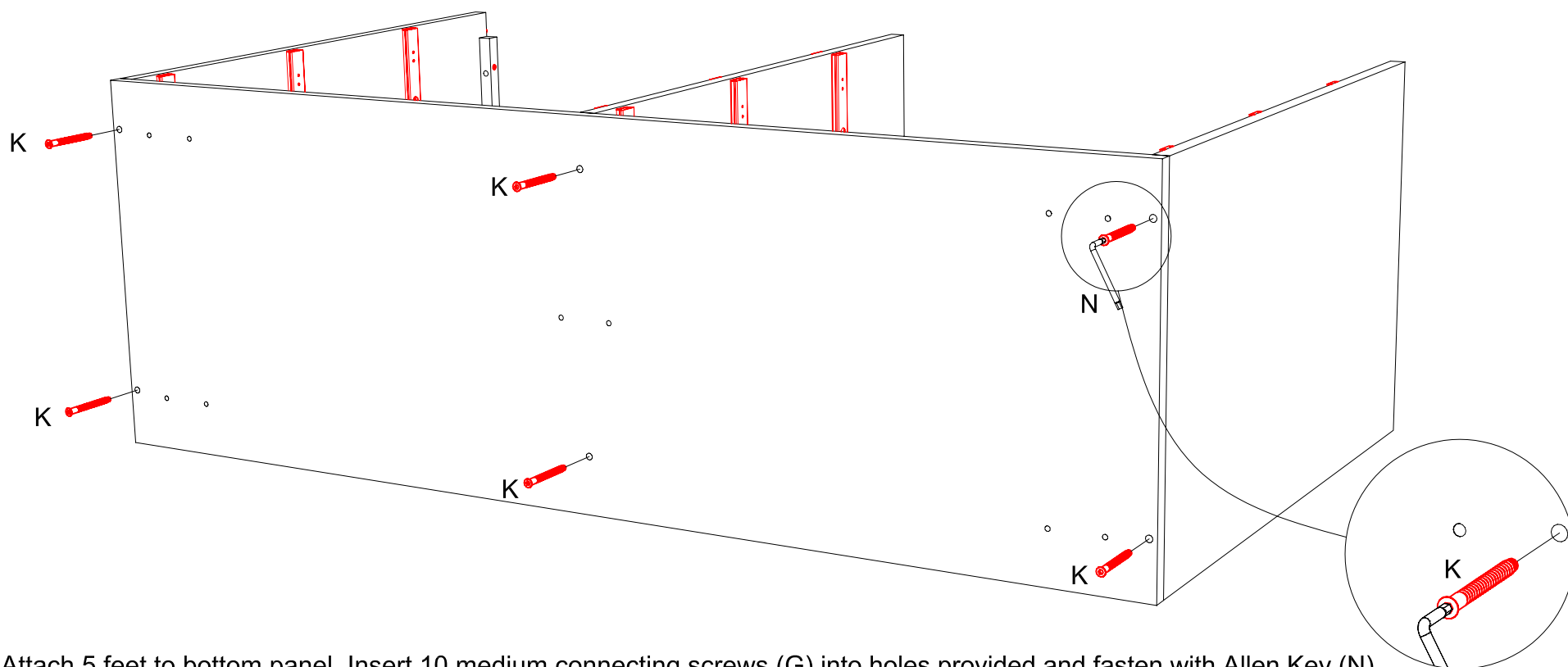
16: Attach right side panel to back panel slats with dowels. Fasten Cam locks with screwdriver.



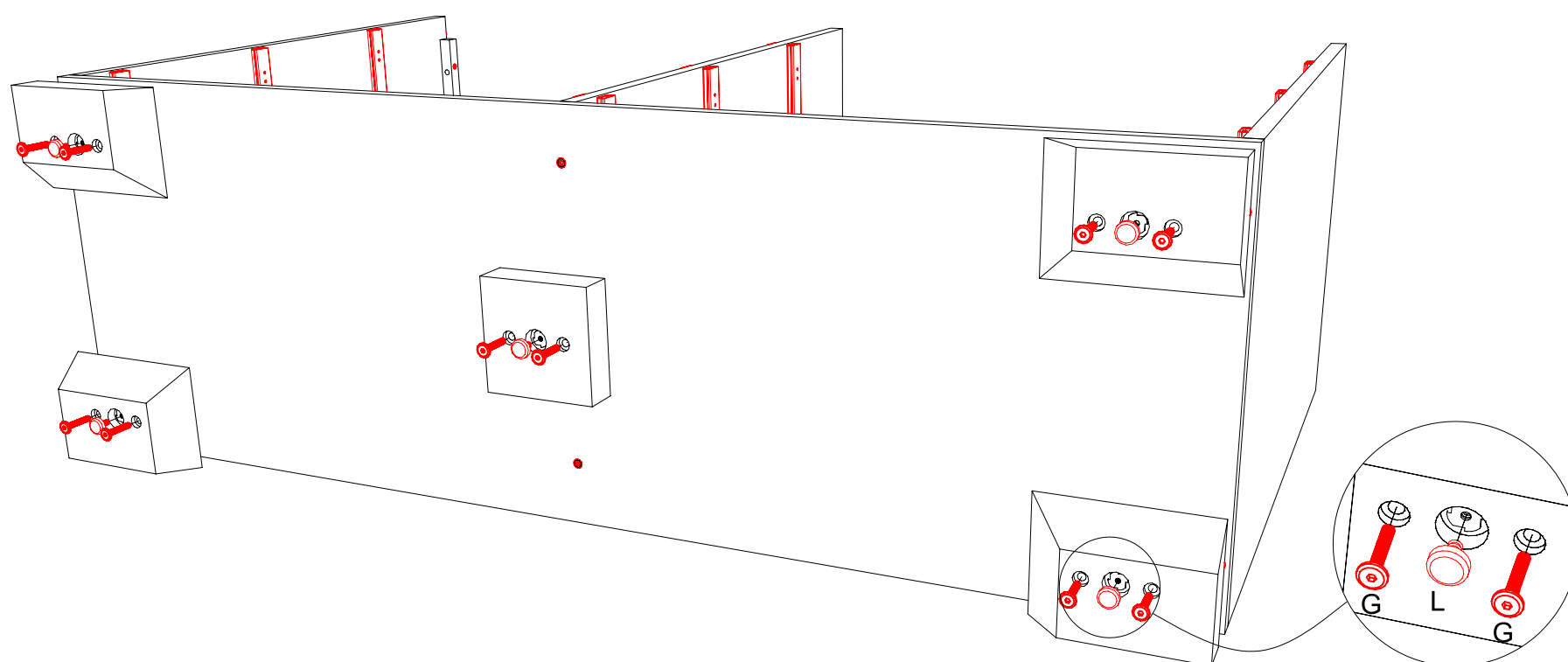
17: Attach bottom panel to left, center and right panels using the 2 dowels previously attached to bottom of each panel.



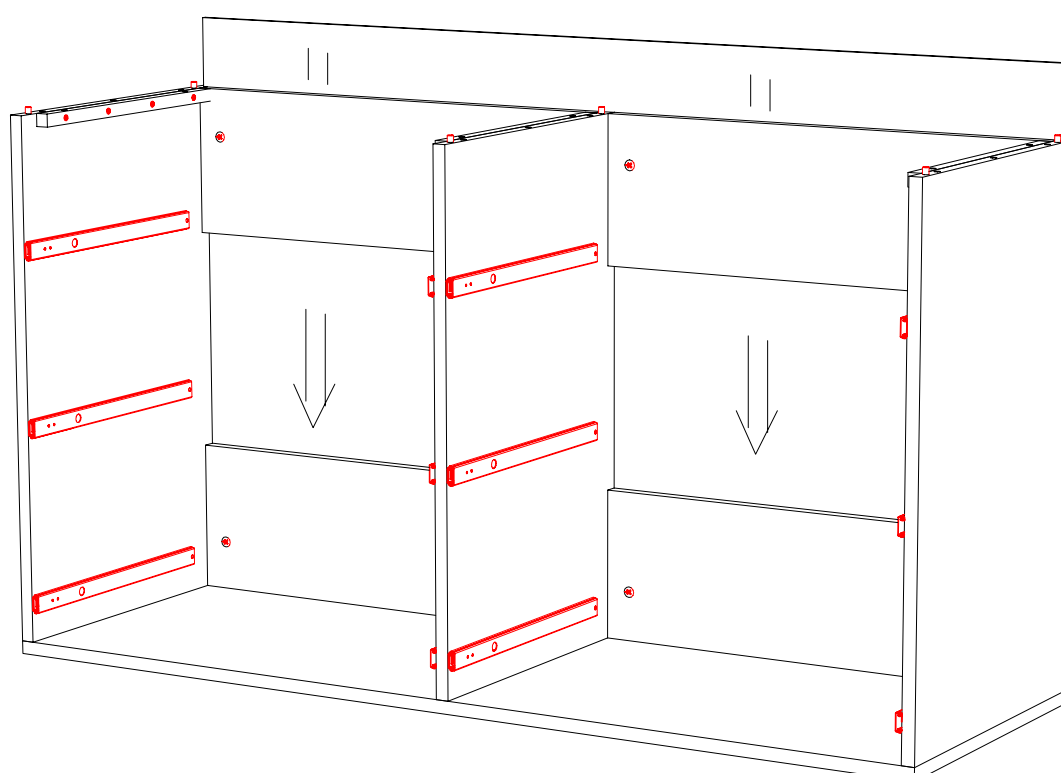
18: Insert 6 long connecting screws (K) into holes provided in bottom panel and into side and center panels. Fasten with Allen Key (N).



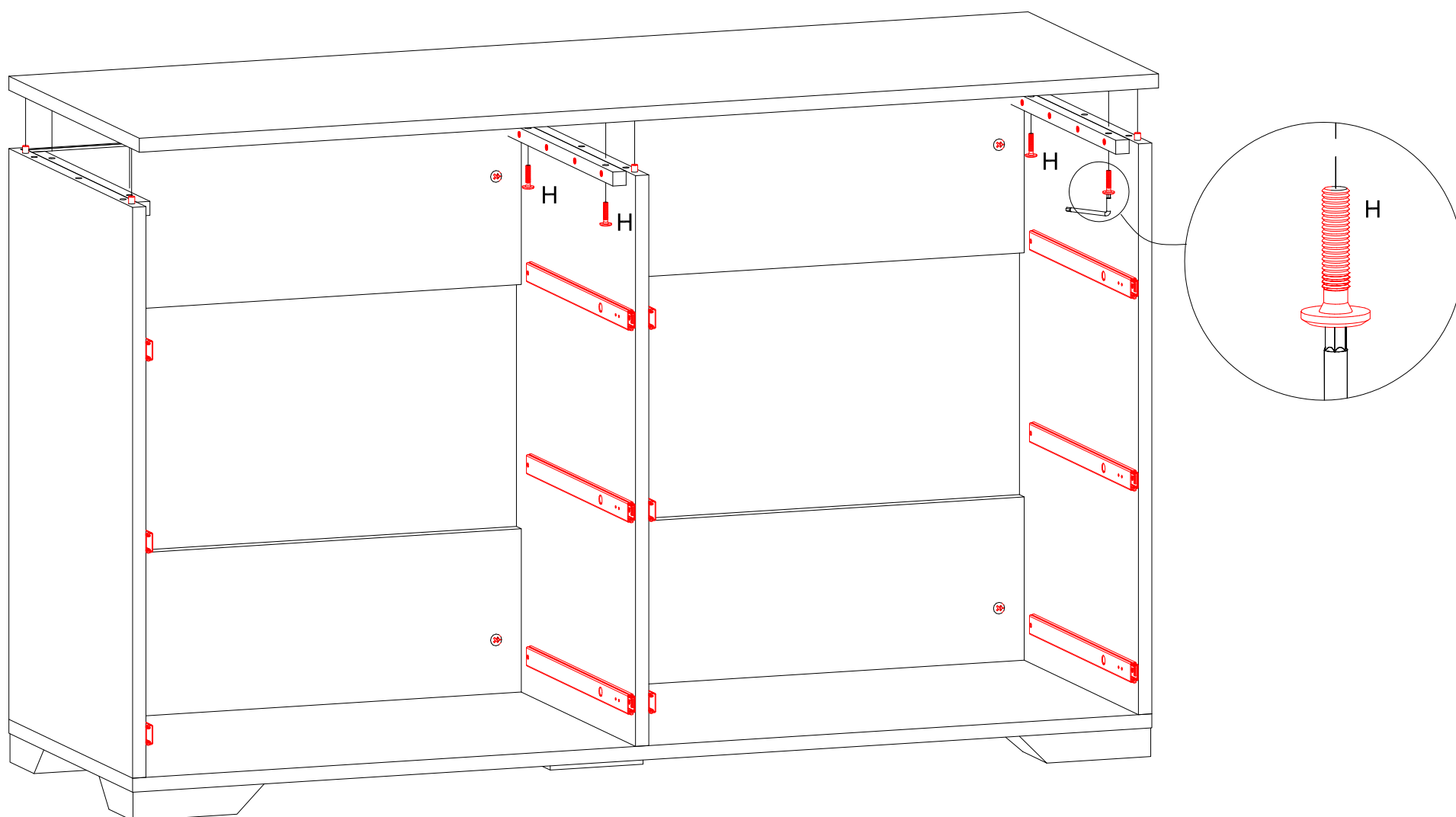
19: Attach 5 feet to bottom panel. Insert 10 medium connecting screws (G) into holes provided and fasten with Allen Key (N). Insert 5 level adjust screws into holes provided.



20: Slide long thin back panel into groove on back edge of side panels.



21: Attach top panel to dowels in upper edge of side panels and center panel. Insert 6 short connecting screws (H) into holes provided. Fasten with Allen Key (N).



22: Slide 3 left drawers onto drawer rails on left side of dresser. Then slide 3 right drawers onto drawer rails on right side. Insert drawer rail screws (I) into holes provided inside drawer side panels.

