

## Curvilinear Mid-Century Sconce - Short Assembly Instructions

### Important Safety Instructions:

- This portable luminaire has a polarized plug (one blade is wider than the other) as a safety feature to reduce the risk of electric shock. This plug will fit in a polarized outlet only one way. If the plug does not fit fully in the outlet, reverse the plug. If it still does not fit, contact a qualified electrician. Never use with an extension cord unless plug can be fully inserted. Do not alter the plug. Do not attempt to defeat this safety feature.
- These instructions are provided for your safety. It is very important that they are read carefully and completely before beginning the assembly and installation of this lighting fixture.
- For your safety and convenience, it is strongly recommended that two people install the lighting fixture.
- This fixture has been rated for up to **one (1) 60-watt maximum TYPE A standard incandescent light bulbs** (not included) or **one (1) 13-Watt compact fluorescent light bulbs** (not included) or **one (1) 9-watt Self-ballasted LED bulb** (included). To avoid the risk of fire, do not exceed the recommended lamp wattage.
- This lamp is meant for indoor use.
- **Save these instructions.**

### WARNING:

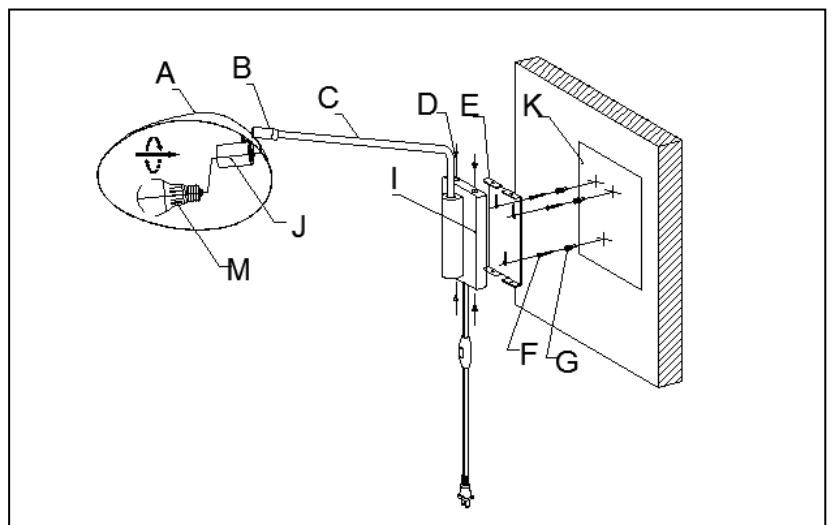
- **To reduce the risk of fire, electrical shock or personal injury, always turn off and unplug the light fixture and allow it to cool prior to replacing the light bulb.**
- **Do not touch bulb when fixture is turned on. Do not look directly at lit bulb.**
- **Keep flammable materials away from lit bulb.**

### Pre-assembly:

- Remove all parts and hardware from box along with any plastic protective packaging.
- Do not discard any contents until after assembly is complete to avoid accidentally discarding small parts or hardware.

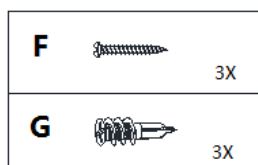
### Parts Included:

- (A) **Lamp Shade** (1)
- (B) **Ball Joint** (1)
- (C) **Short Arm** (1)
- (D) Canopy Screws (4)
- (E) Mounting plate (1)
- (J) **Socket** (1)
- (I) Canopy (1)
- (M) 9W LED bulb (1)

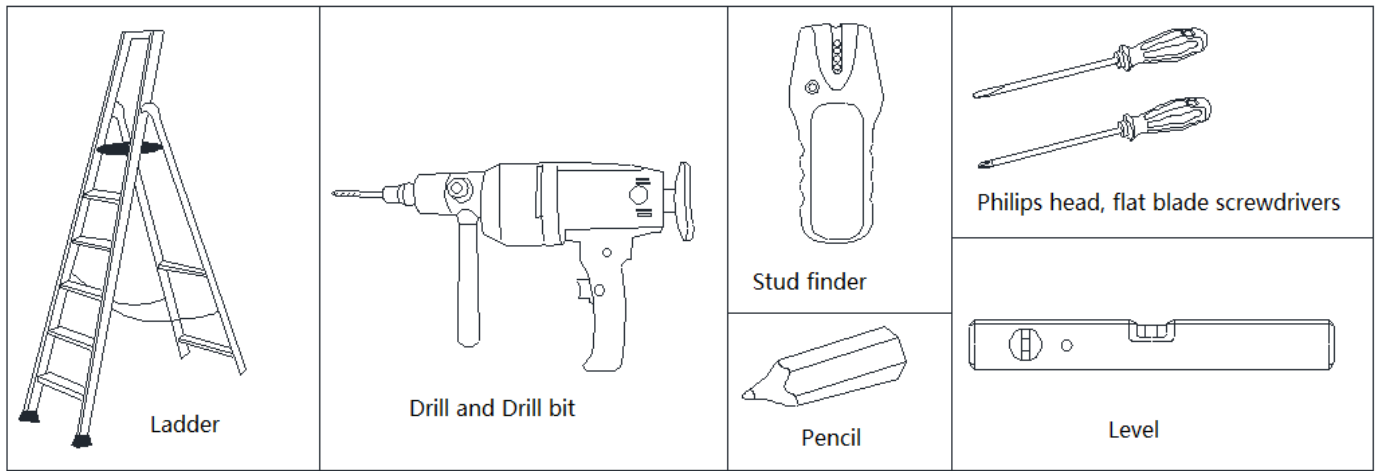


### Hardware Enclosed:

- (F) Wall screws (3)
- (G) Wall anchors (3)
- (K) Paper Template (1)



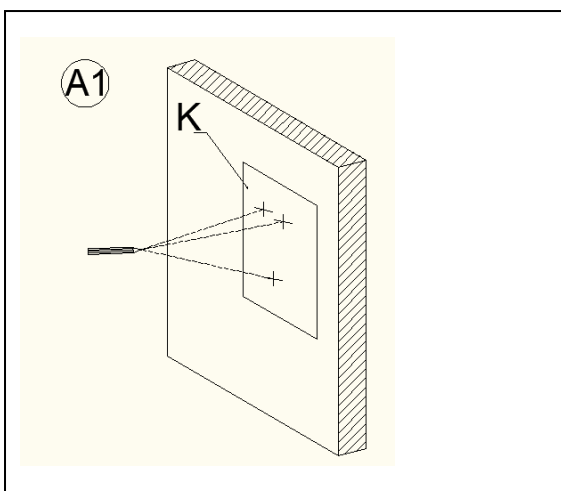
## TOOLS REQUIRED (not included):



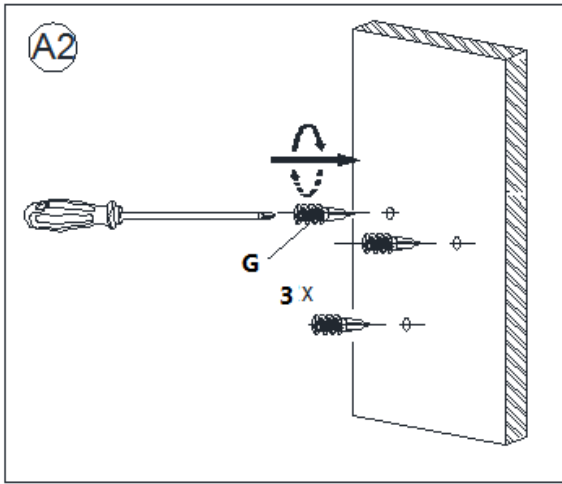
## To Assemble:

1. This mounting hardware is meant for dry wall/stud mounting only. If walls are concrete, brick or plaster, please consult your local hardware store for assistance. For safety and ease of mounting, installation is recommended using two people.
2. Stud mounting is always best, so try to position the Keyhole Mounting of Mounting Plate (E) over studs if possible. Use a stud finder to locate a stud in desired wall location. If Keyhole Mounting of Mounting Plate (E) aligns with stud, use provided Wall Screws (F). If there is no stud, the Wall Anchors (G) and Wall Screws (F) are both required.
3. For Drywall Mounting: Assemble and install the Wall Anchors (G) and Wall Screws (F) using the steps as outlined in Section “**For Drywall Mounting**” below.
4. For Mounting to Joist: Assemble and install the Wall Screws (F) using the steps as outlined in Section “**For Mounting To Joist**” below.
5. After properly assemble the Wall Screws (F) and Wall Anchors (G) onto the wall, install the lighting fixture onto the wall using the steps as outlined in Section” Install the Light Fixture onto the Wall”

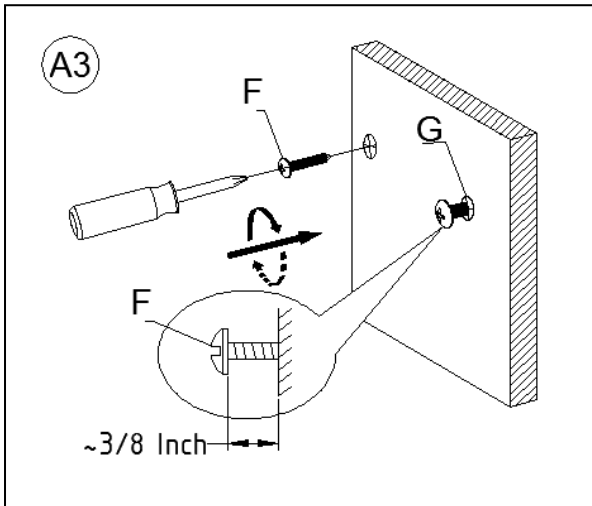
## For Drywall Mounting



1. Place the Paper Template (K) against the wall at the desired hanging location.
2. Mark the mounting location of the 3 holes of Paper Template (K) onto the wall using a pencil. Use a carpenter's level to ensure a level installation.
3. **MAKE SURE THAT A POWER OUTLET IS REACHABLE BY THE CORD** without straining the cord.

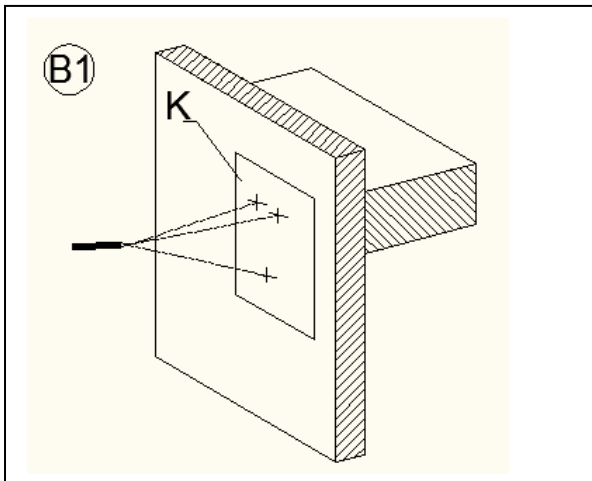


Use a Phillips Screwdriver to insert the Wall Anchors (G) at the marked keyhole locations. Do not “push” or drive the Wall Anchors (G) into the wall, it is designed to bore into the wall like a drill bit. Slowly turn the Wall Anchors (G) clockwise while applying pressure until the flange just touches the wall.

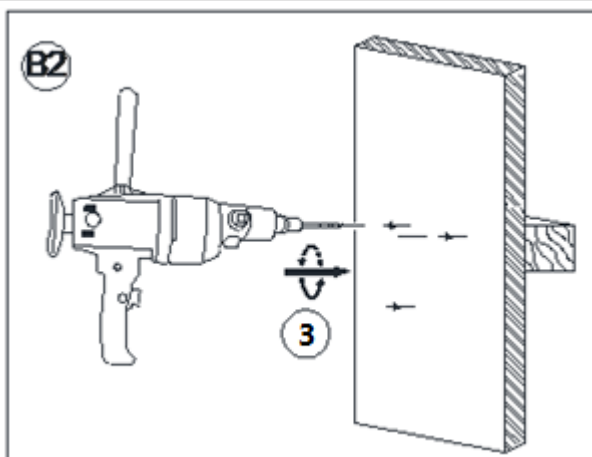


Use the Phillips screwdriver to secure the Wall Screws (F) into each installed Wall Anchors (G). Rotate the Wall Screw (F) clockwise until the screw head is about 3/8 inches from the wall.

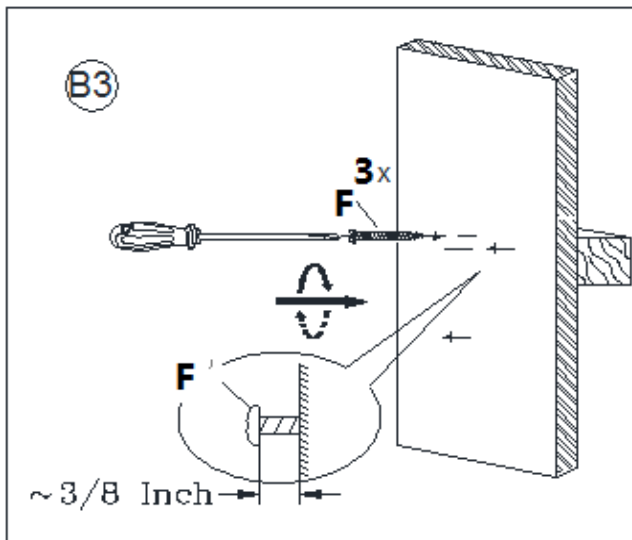
## FOR MOUNTING TO JOIST



1. Place the Paper Template (K) against the wall at the desired hanging location.
2. Mark the mounting location of the 3 holes of Paper Template (K) onto the wall using a pencil. Use a carpenter's level to ensure a level installation.
3. **MAKE SURE THAT A POWER OUTLET IS REACHABLE BY THE CORD** without straining the cord.

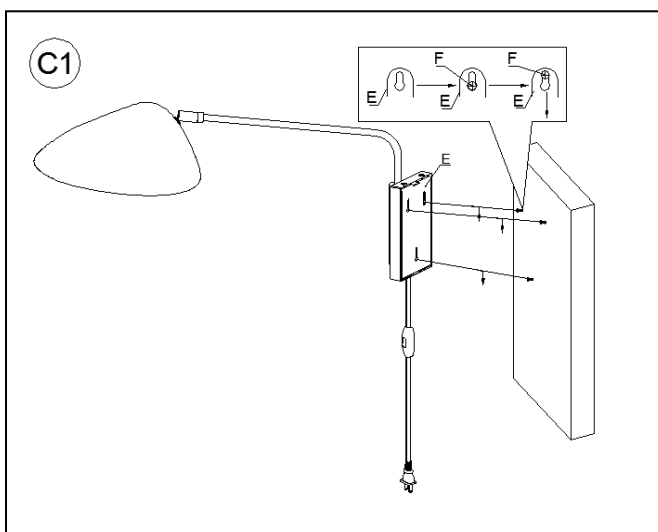


Pre-drill pilot holes at the marked locations. This will make installing the Wall Screws (F) onto the wall easier.



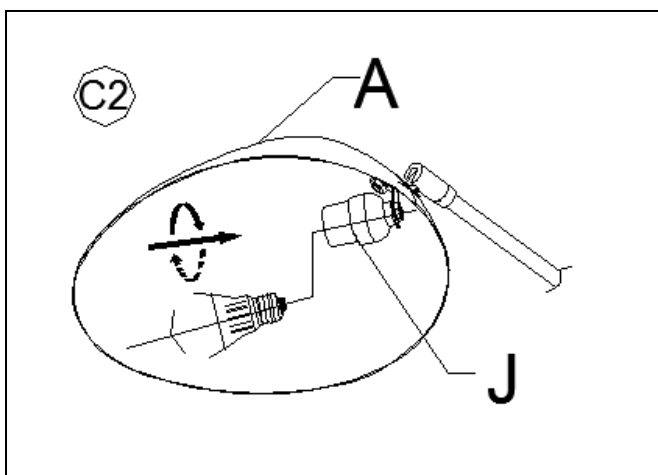
Use the Phillips screwdriver to secure the Wall Screws (F) into each drilled hole. Rotate the Wall Screw (F) clockwise until the screw head is about 3/8 inches from the wall.

### Install the Light Fixture onto the Wall



1. Preferably with the help of another person, lift the lighting fixture against the wall so that the three keyholes located on the Keyhole of Mounting plate (E) align with and engage the protruding mounting screw (F) heads.
2. Gently lower the lighting fixture so that the screws support its full weight. Make sure that each screw is completely engaged with its keyhole before releasing the fixture.

**Note: Some readjustment of the screws may be needed to ensure a secure fit against the wall.**



1. Insert the specified light bulbs into the socket (J). DO NOT EXCEED THE SPECIFIED WATTAGE.
2. If needed, adjust the Lamp Shade (A) to the desired angle by gently moving the Lamp Shade (A) by hand until it is.

#### Care instructions:

- Wipe clean with a soft, dry cloth or static duster.
- Always avoid the use of harsh chemicals or abrasive cleaners as they may cause damage to the fixture's finish.

Thank you for your purchase  
Stores | catalog | [www.westelm.com](http://www.westelm.com)  
USA 888-922-4119