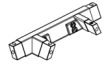


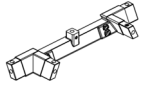
Equals Linear Table Assembly Instructions



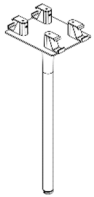
Component List



Back-to-Back Connectors [x2]



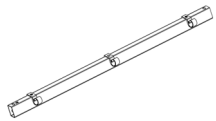
Side-to-Side Connectors [x4]



Center leg with Top Plate [x2]



Legs [x4]



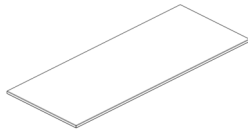
48" Rails [x8]



12" Rails [x8]



Privacy Screen and
Toolbar Kit [x2]

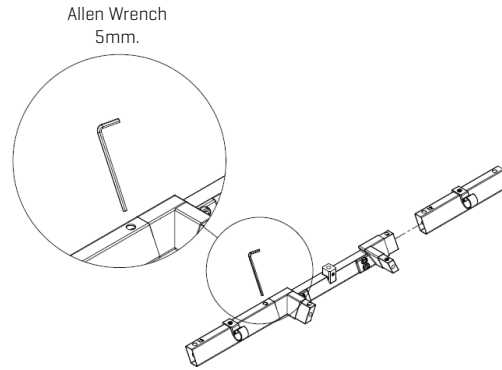


Worksurfaces [x4]

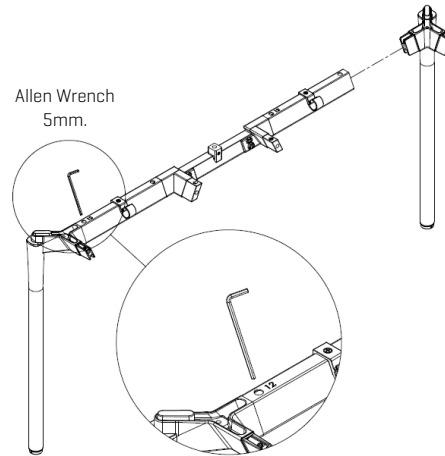


Allen Wrench 5mm [x1]

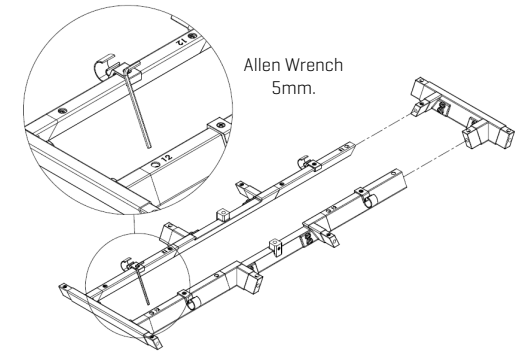
Step 1: Assemble 12" rails to "Side to Side Connectors" [x4] with Allen Wrench to create center crossbars. [4 Sets]



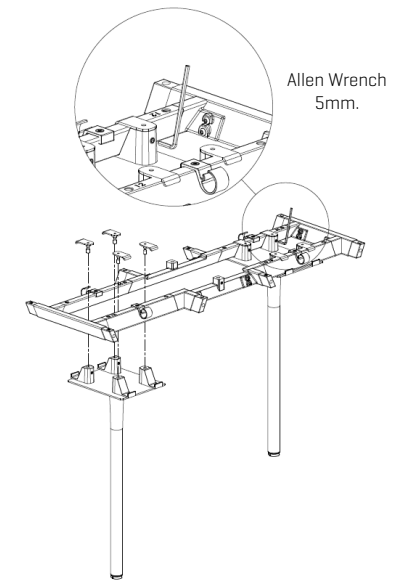
Step 2: Attach outer legs to two of the assembled center crossbars with Allen Wrench. [2 Sets]



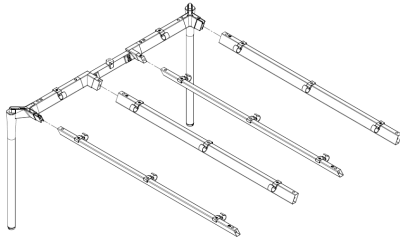
Step 3: Assemble "Back to Back Connectors" [x2] with remaining two assembled center crossbars



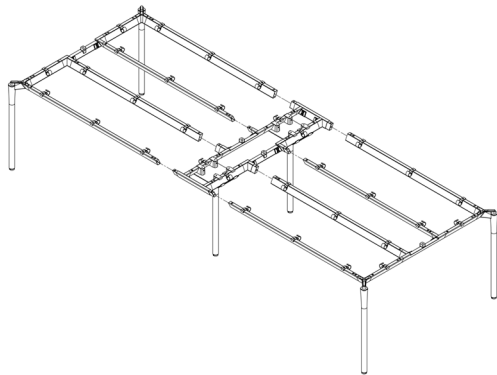
Step 4: Attach center legs [x2] to the assembled center crossbars with connector pin. Make sure to place the shared leg top plate between the wire management clips.



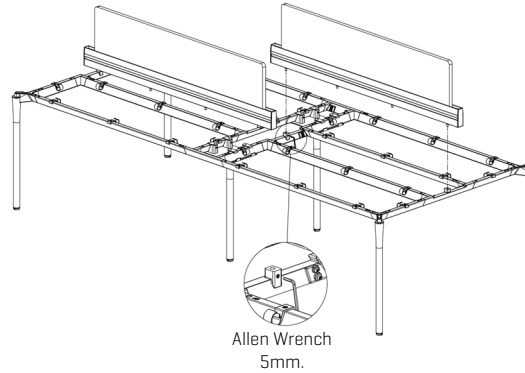
Step 5: Attach 48" Rails [x8] to Outer Leg Assembly. [2 Sets]



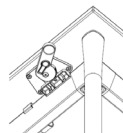
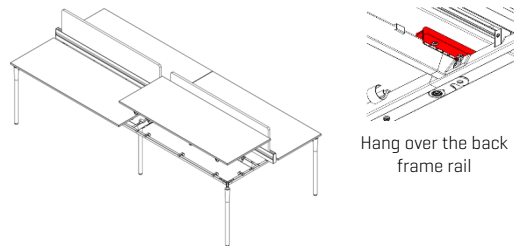
Step 6: Attach 48" Rails to Center Leg Assembly on both sides.



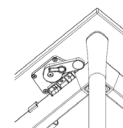
Step 7: Attach Privacy Screen / Toolbar Kit. Locate Pins at the bottom of the toolbar and drop them in the universal clamp. Use Allen Wrench and tighten clamp around pin.



Step 8: Attach Worksurface by aligning Wedge Block under the Worksurface to hang over the back frame rail and Push the Locking Handles until they are parallel to the rail [2-3 clicks].



Worksurface **unlocked**



Worksurface **locked**