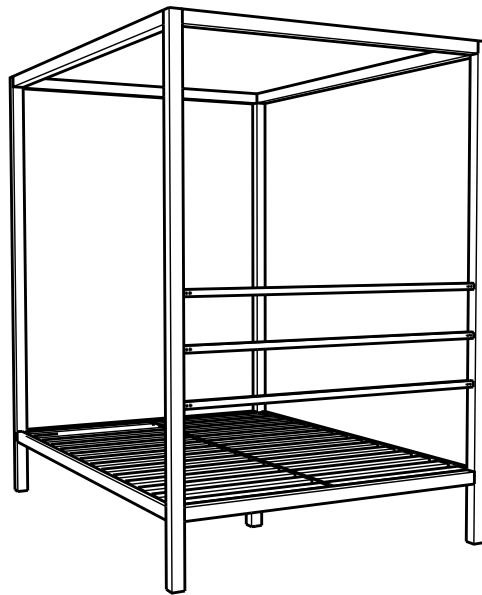


west elm

# metal canopy bed

assembly instructions

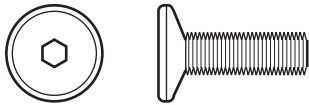


A



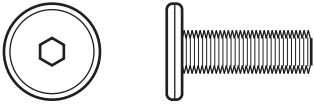
allen key 1x

B



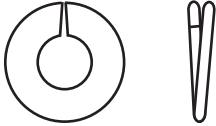
socket screw: 1/4" dia by 3/4" 28x

C



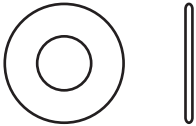
medium bolt :1/4" dia by 3/4" 32x (24x for twin only)

D



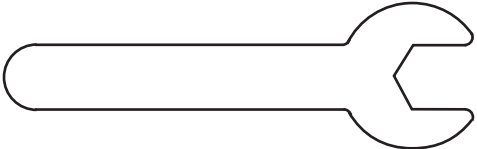
lock washer 36x (24x for twin only)

E




flat washer 40x (24x for twin only)

F




wrench 1x (full, queen, king, cal. king only)

G



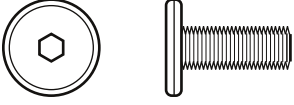
nut 4x (full, queen, king, cal. king only)

H



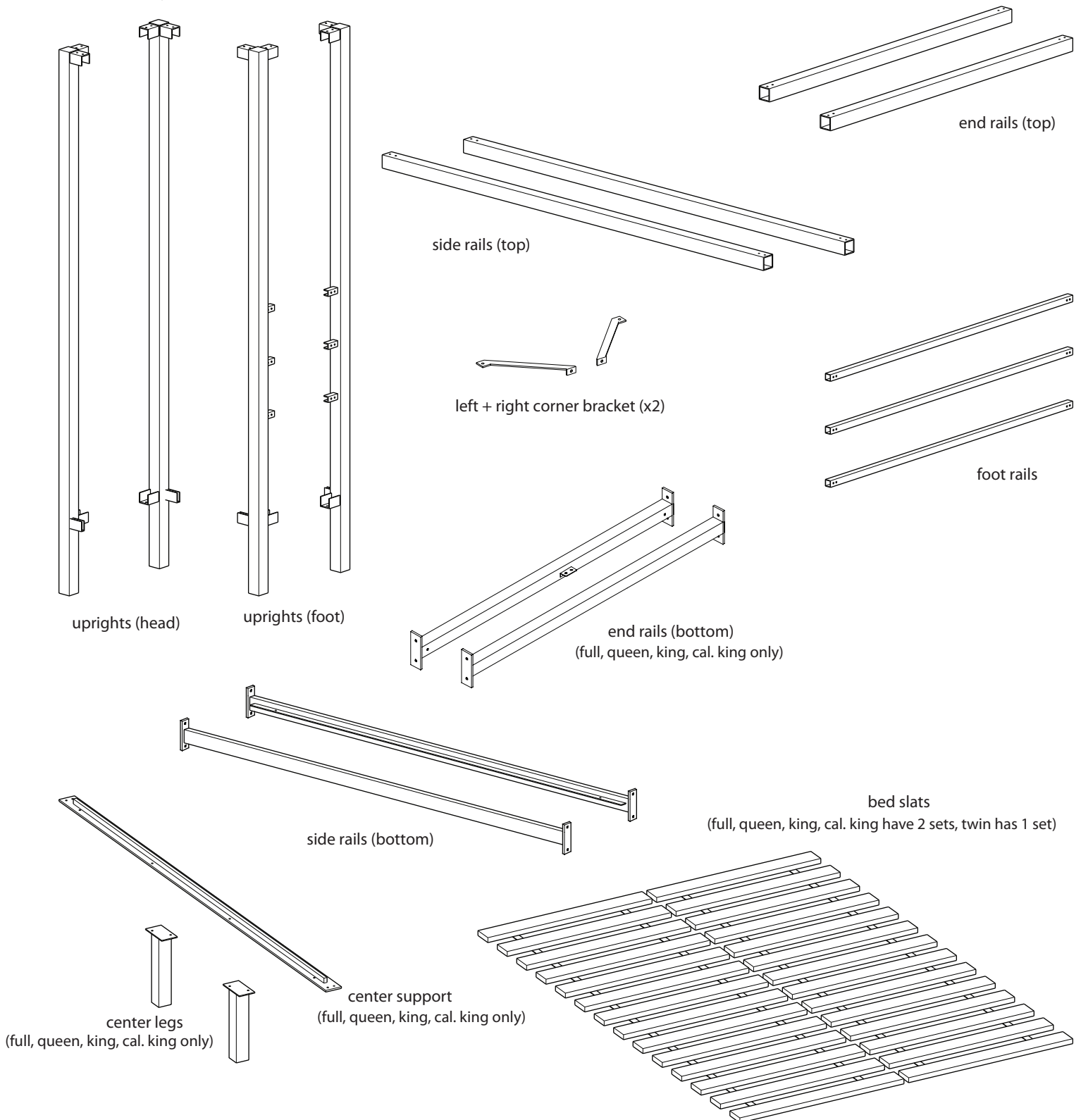
stopper 8x (4x for twin only)

I



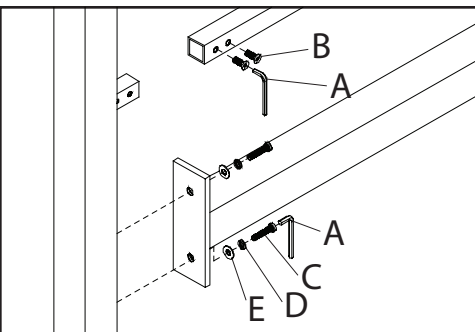
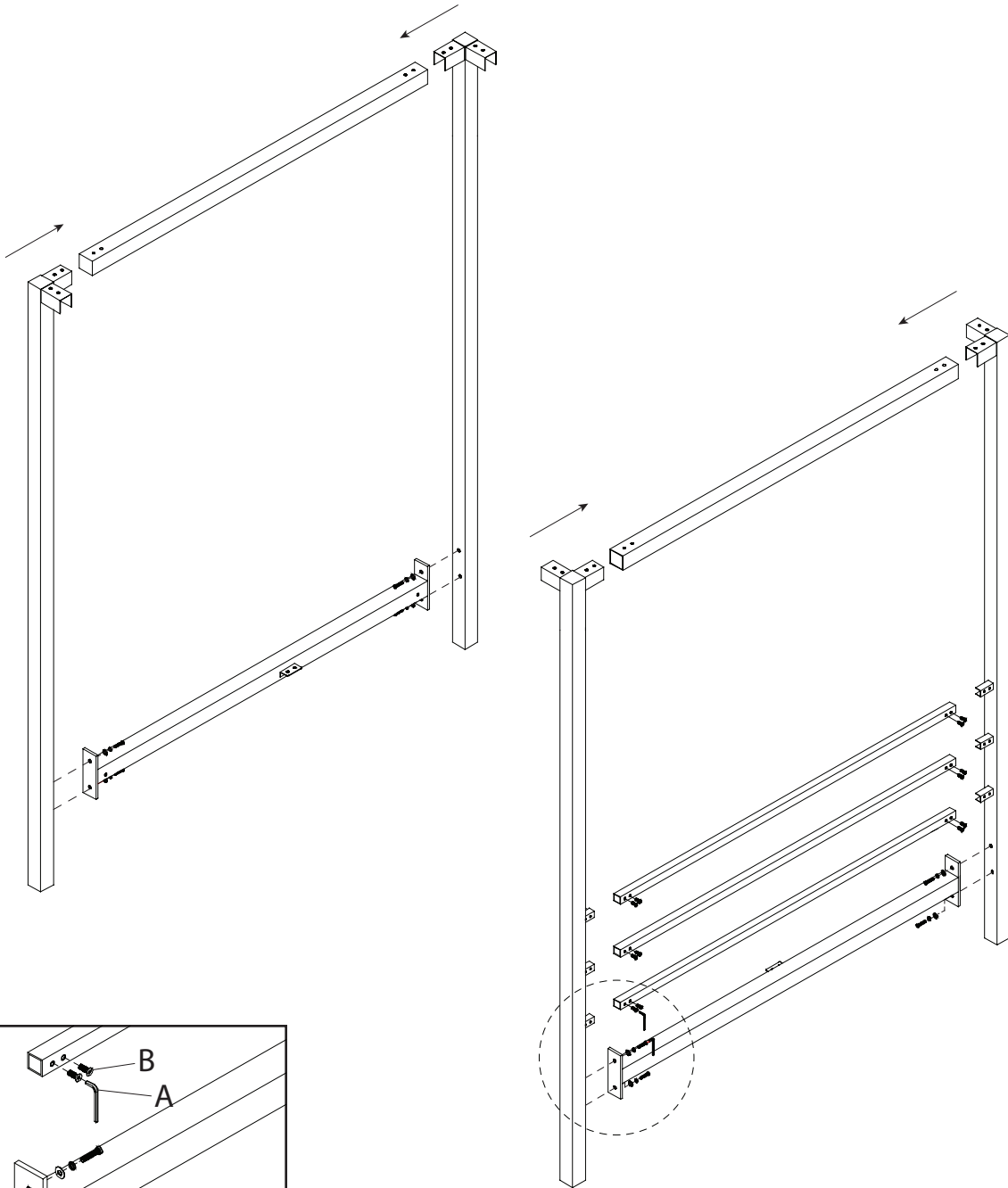
short bolt: 1/4" dia by 3/8" 4x (full, queen, king, cal. king only)

- ! Do not throw away packaging materials until assembly is complete.
- ! Assemble this item on a soft surface, such as cardboard or carpet, to protect finish.
- ! Proper assembly of this item requires 2 people.

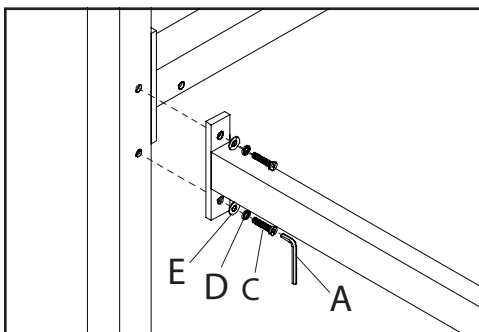
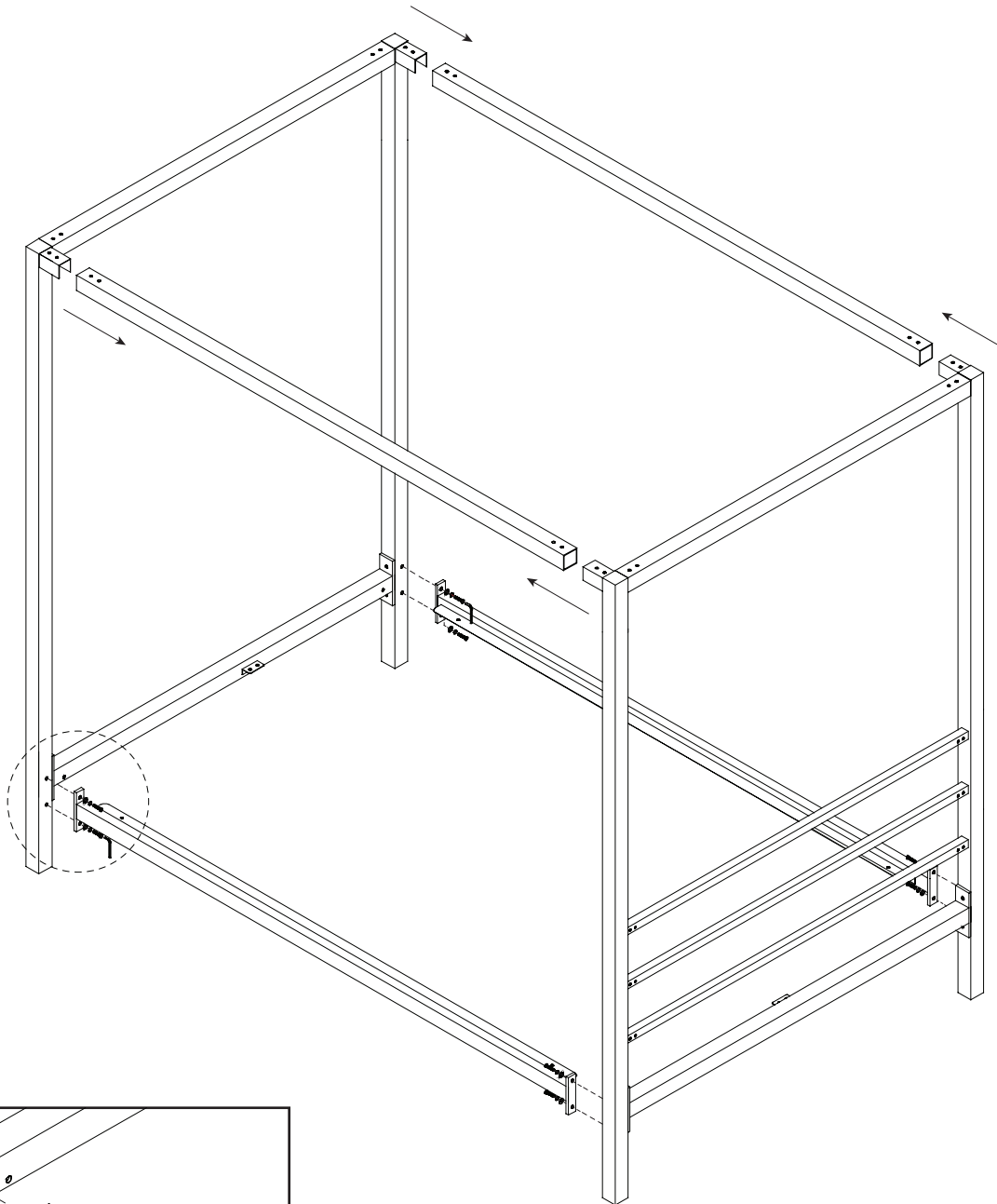


1. Slide top end rails and foot rails onto brackets on uprights as shown. Fasten foot rails using socket screws (B) and tighten with allen key (A).

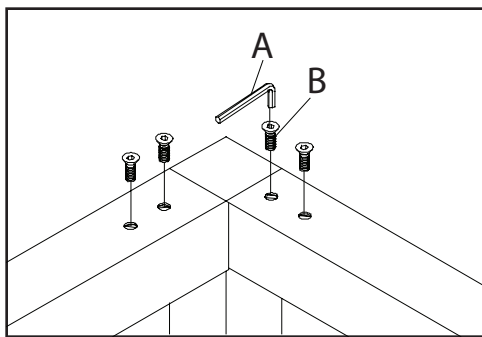
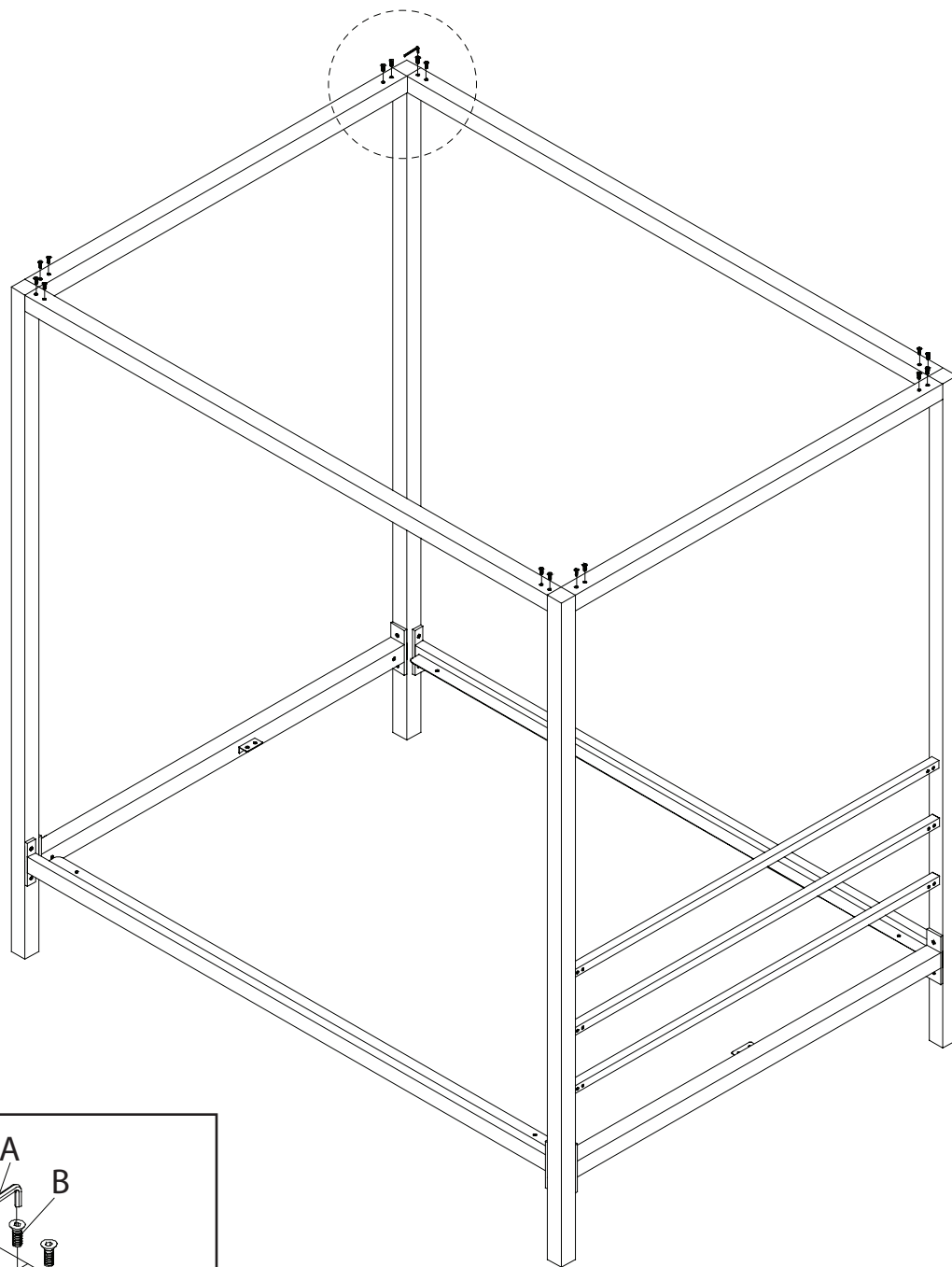
2. Fasten bottom end rails using flat washer (E), lock washer (D), and medium bolt (C) in order as shown.



3. Slide top side rails onto brackets on uprights. Fasten bottom side rails to uprights using flat washers (E), lock washers (D), and medium bolt (C) in order as shown. Tighten using allen key (A).

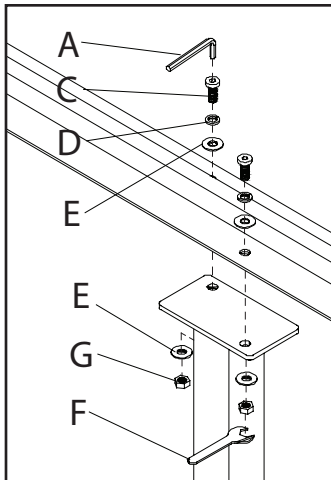
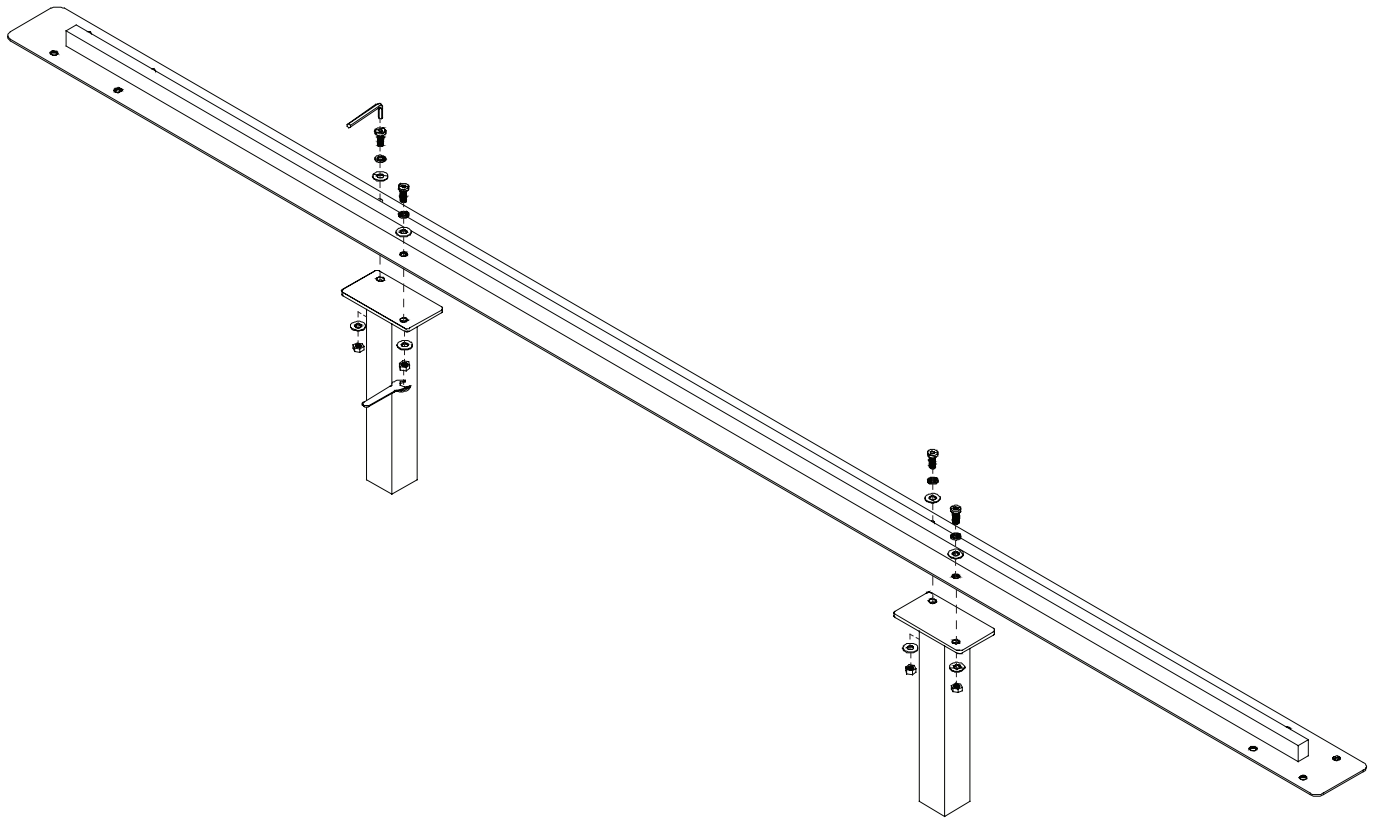


4. Fasten top rails to uprights using socket screws (B). Tighten using allen key (A).



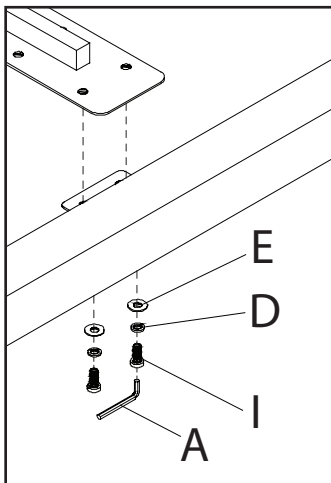
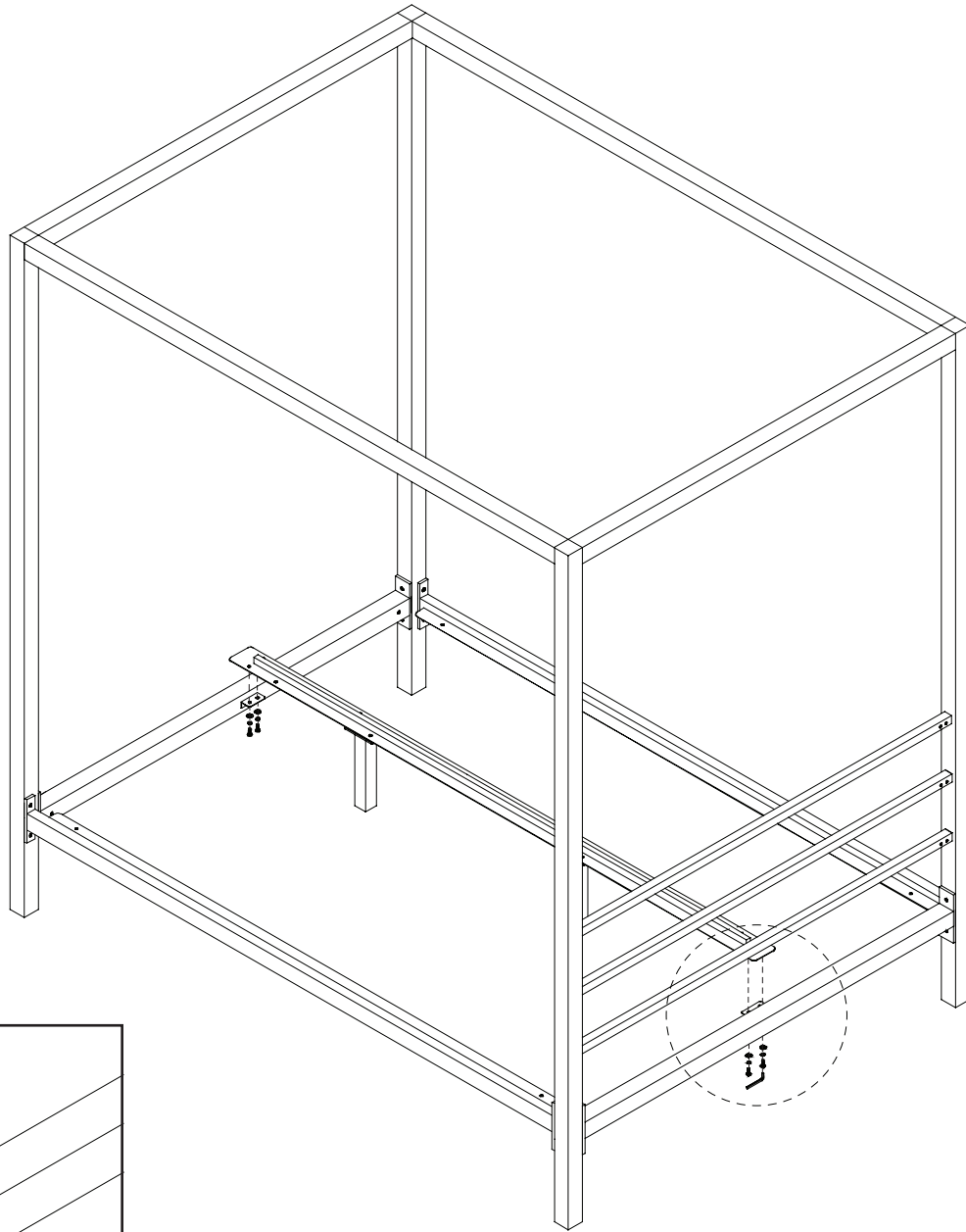
**steps 5-7 are for full, queen king, and cal. king beds only. for twin beds skip to step 8**

5. Fasten center legs to center support using medium bolt (C), lock washer (D), flat washers (E), and nut (G) in order as shown. Tighten using allen key (A) and wrench (F).



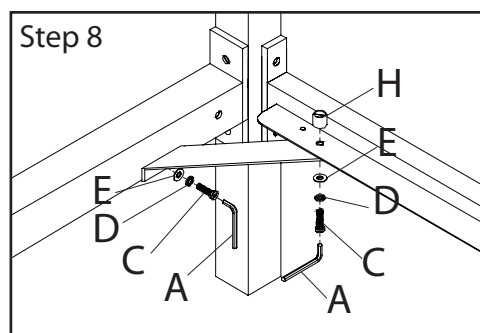
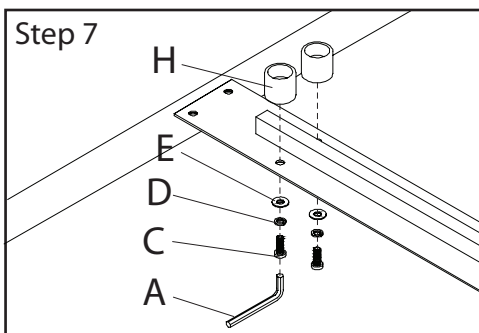
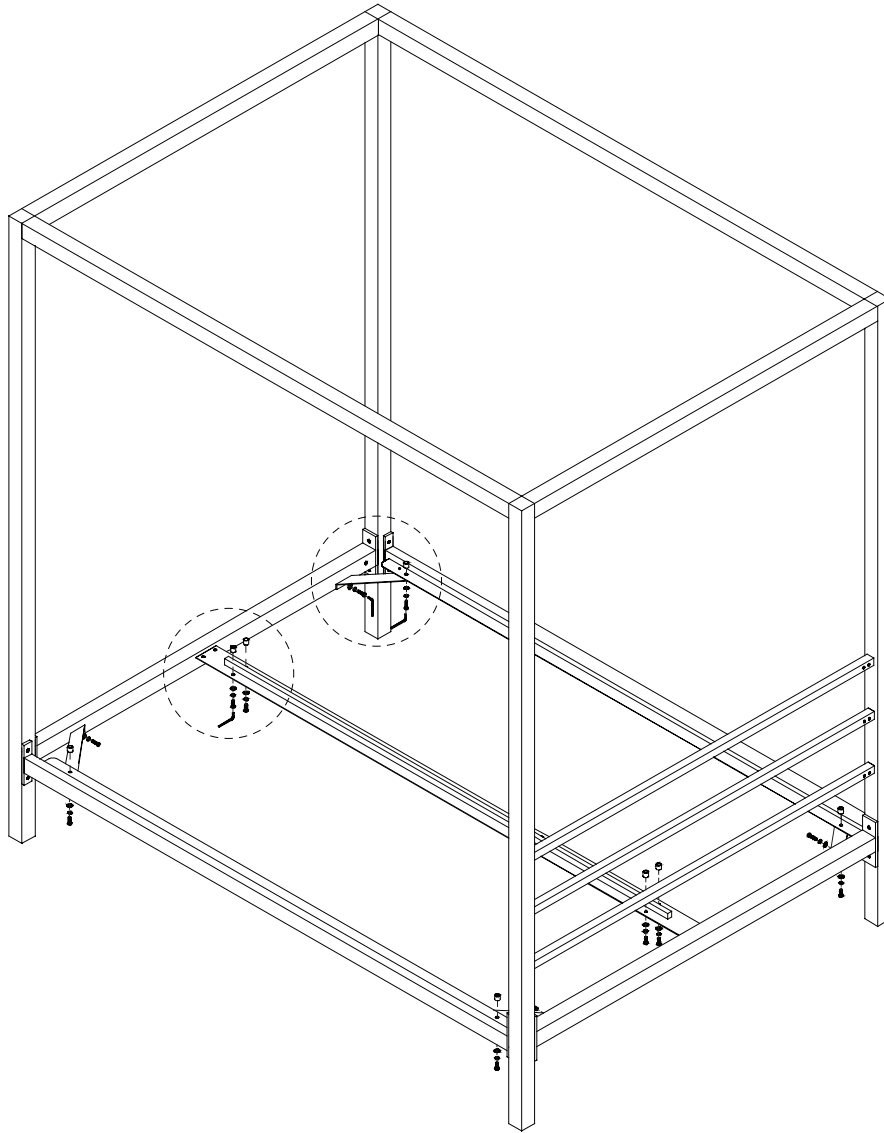
*steps 5-7 are for full, queen king, and cal. king beds only. for twin beds skip to step 8*

6. Fasten center support to end rails using bolt (I), lock washer (D), and flat washer (E) in order as shown. Tighten using allen key (A).



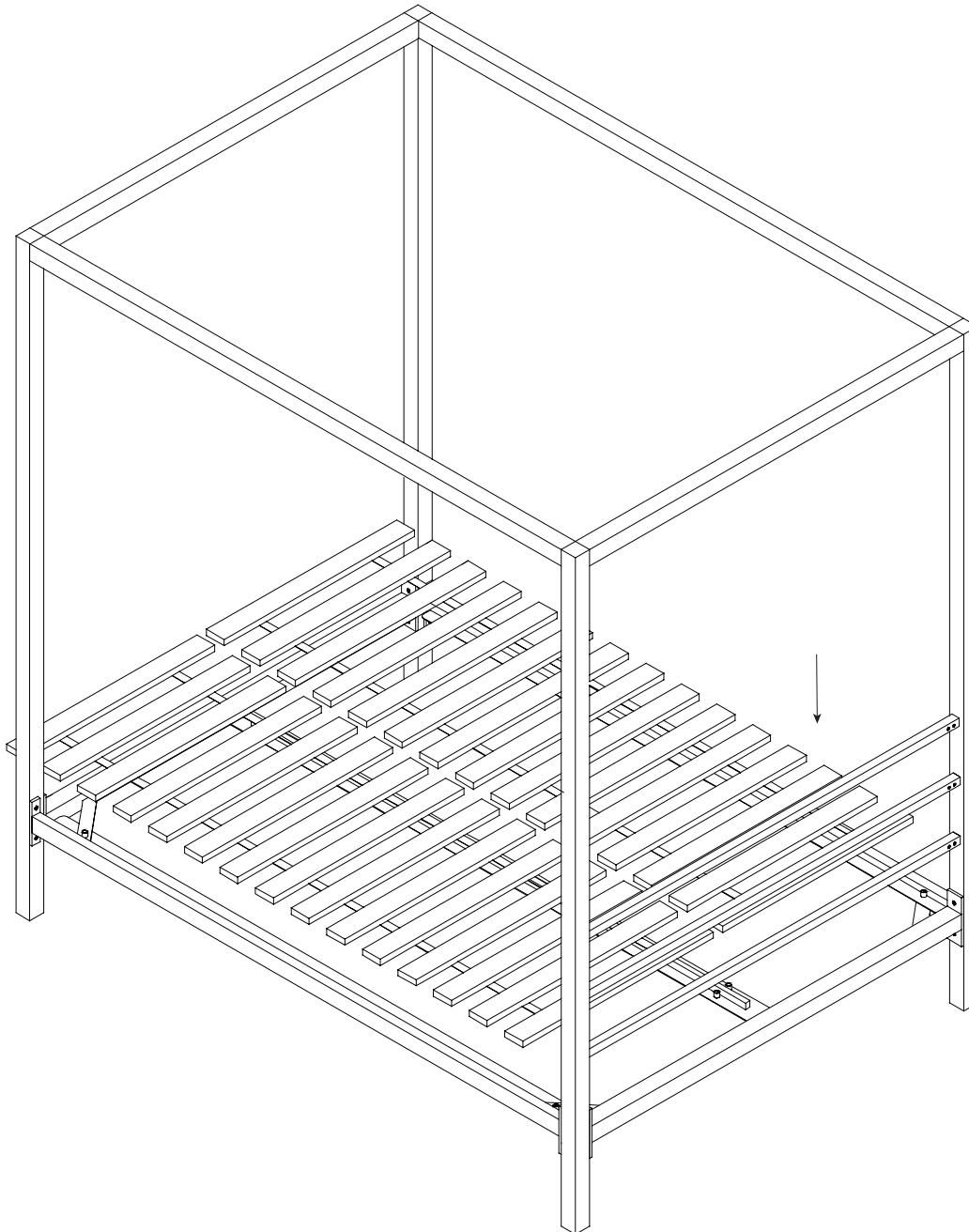
7. Fasten stoppers (H) to center rail using flat washer (E), lock washer (D), and medium bolt (C) in order as shown. Tighten using allen key (A).

8. Fasten stoppers (H) to bottom side rails and fasten corner brackets to bottom rails using flat washers (E), lock washer (D), and medium bolt (C) in order as shown. Tighten using allen key (A).





9. Set slats into place.



**CARE INSTRUCTION**

Hardware may loosen over time. Periodically check that all connections are tight.

Wipe with a soft, dry cloth. To protect finish, avoid the use of chemicals and household cleaners.